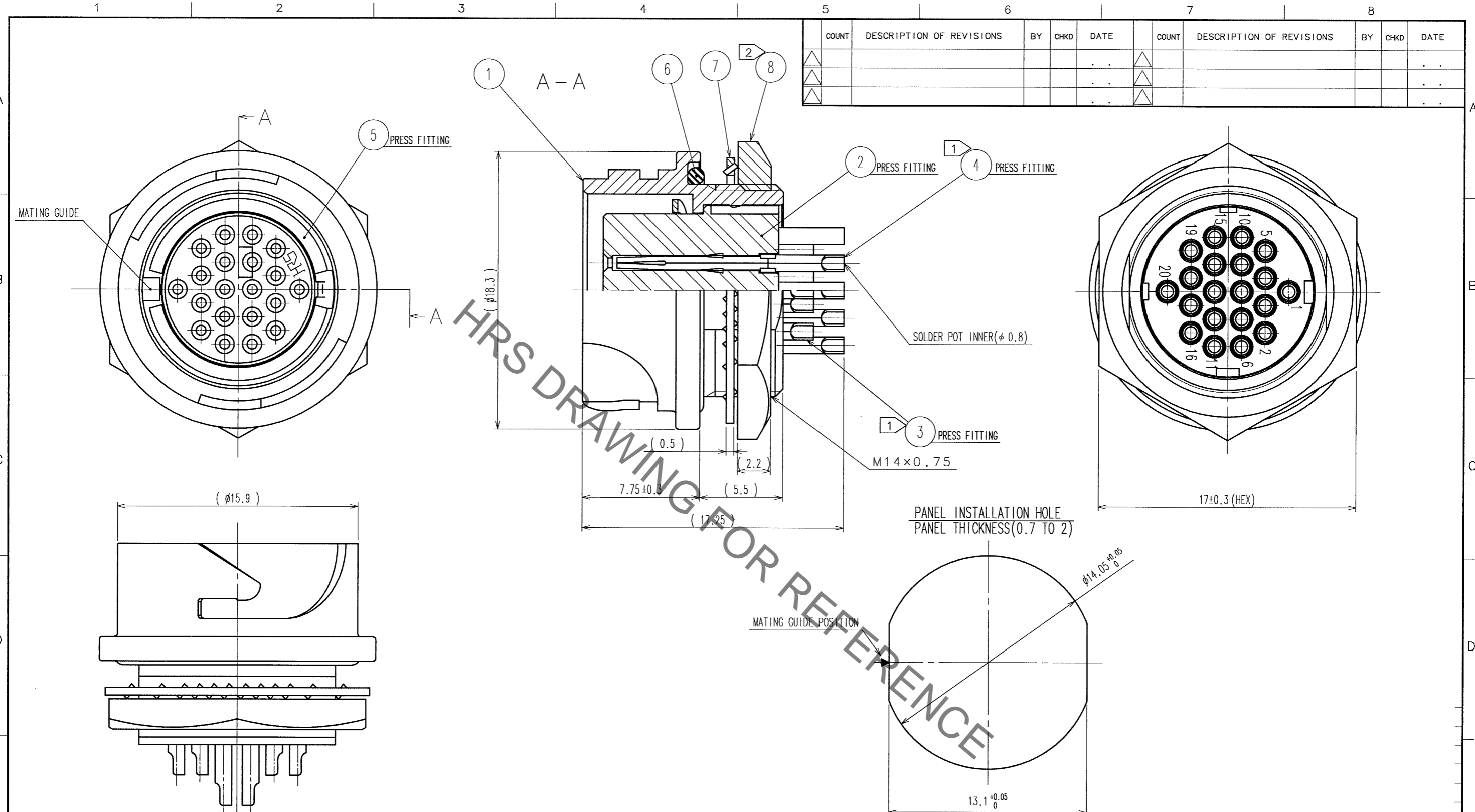


Sep.1.2021 Copyright 2021 HIROSE ELECTRIC CO., LTD. All Rights Reserved.  
In case of consideration for using Automotive equipment / device which demand high reliability, kindly contact our sales window correspondents.



COUNT	DESCRIPTION OF REVISIONS	BY	CHKD	DATE	COUNT	DESCRIPTION OF REVISIONS	BY	CHKD	DATE
△				..	△				..
△				..	△				..
△				..	△				..

NOTES

① PLATING (REF. NO. ③, ④)  
 CONTACT AREA : GOLD 0.2 μm min  
 OTHERS : GOLD AND NICKEL  
 UNDER PLATING : NICKEL 2 μm min

② THE RECOMMENDED CLAMP TORQUE OF REF. NO. ⑧ TO BE 2 TO 2.5 N · m.  
 THREAD LOCKER TO THE THREADED PORTION OF REF. NO. ① IS RECOMMENDED TO PREVENT REF. NO. ⑧ FROM LOOSING.  
 RECOMMENDED THREAD LOCKER: LOCTITE 271, HENKEL JAPAN LTD.

③ WHEN THIS CONNECTOR IS MOUNTED ON TO PANEL, BE CAREFUL REF. NO. ⑥ IS ASSEMBLED SURELY INTO THE GROOVE OF REF. NO. ⑥ AS SHOWN IN THIS FIGURE TO KEEP WATERPROOF EFFECTIVENESS.

4	PHOSPHOR BRONZE	①	8	BRASS	NICKEL PLATING
3	PHOSPHOR BRONZE	①	7	PHOSPHOR BRONZE	NICKEL PLATING
2	PPS	(BLACK)	UL94V-0	6	CHLOROPRENE RUBBER (BLACK)
1	ZINC ALLOY	NICKEL PLATING	5	PHOSPHOR BRONZE	NICKEL PLATING
NO.	MATERIAL	FINISH, REMARKS	NO.	MATERIAL	FINISH, REMARKS

CODE NO. (OLD) CL	DRAWN k.abe	DESIGNED H. Zemba	CHECKED M. Sato	APPROVED M. Yoshida	RELEASED
	05.5.11	05.05.13	05.5.13	05.05.16	..
SCALE 4 : 1	DRAWING NO. EDC3-114399	PART NO. LF13WBR-20S			
UNITS mm	HRS HIROSE ELECTRIC CO., LTD	CODE NO. CL136-1010-8	1/1		

## X-ON Electronics

Largest Supplier of Electrical and Electronic Components

*Click to view similar products for [Standard Circular Connector](#) category:*

*Click to view products by [Hirose](#) manufacturer:*

Other Similar products are found below :

[5M2530B10P](#) [600259N006](#) [600273N007](#) [6134-336-13149](#) [6134-337-11149](#) [6134-337-2390](#) [6134-341-17149](#) [6280-4SG-516](#) [6280-7SG-3DC](#)  
[6290](#) [6291A](#) [66200A-10](#) [680-SMG](#) [681-PMG](#) [CXS3102A14S2P](#) [CXS3102A181S](#) [7251-6SG-300](#) [7271-6SG-300](#) [7282-3PG-300-CH3](#) [75-](#)  
[474014-05S](#) [75-474618-01S](#) [75-474618-04P](#) [75-474618-04S](#) [799539-000](#) [MI8-SE](#) [805-005-07NF11-19PC](#) [805-005-07NF15-7PA](#) [8280-4PG-](#)  
[516](#) [8280-7PG-519](#) [8282-5PG-519](#) [836783-1](#) [MP-4102-25P-C](#) [862256-1](#) [864019-2](#) [866857-1](#) [867865-1](#) [PT01SP-14-18P](#) [PT08P-14-5S](#)  
[PTSF06SE-14-12S](#) [120-1833-000](#) [QCM019PC2DC012B](#) [1-2069279-1](#) [121583-0217](#) [121667-0020](#) [129591AU](#) [1000B BULK](#) [RD10A16-19-](#)  
[P6CS051/1](#) [RD10A20-31-P8CS051/1](#) [RD16A14-12-S6CS051/2](#) [1301240290](#) [1301240347](#)