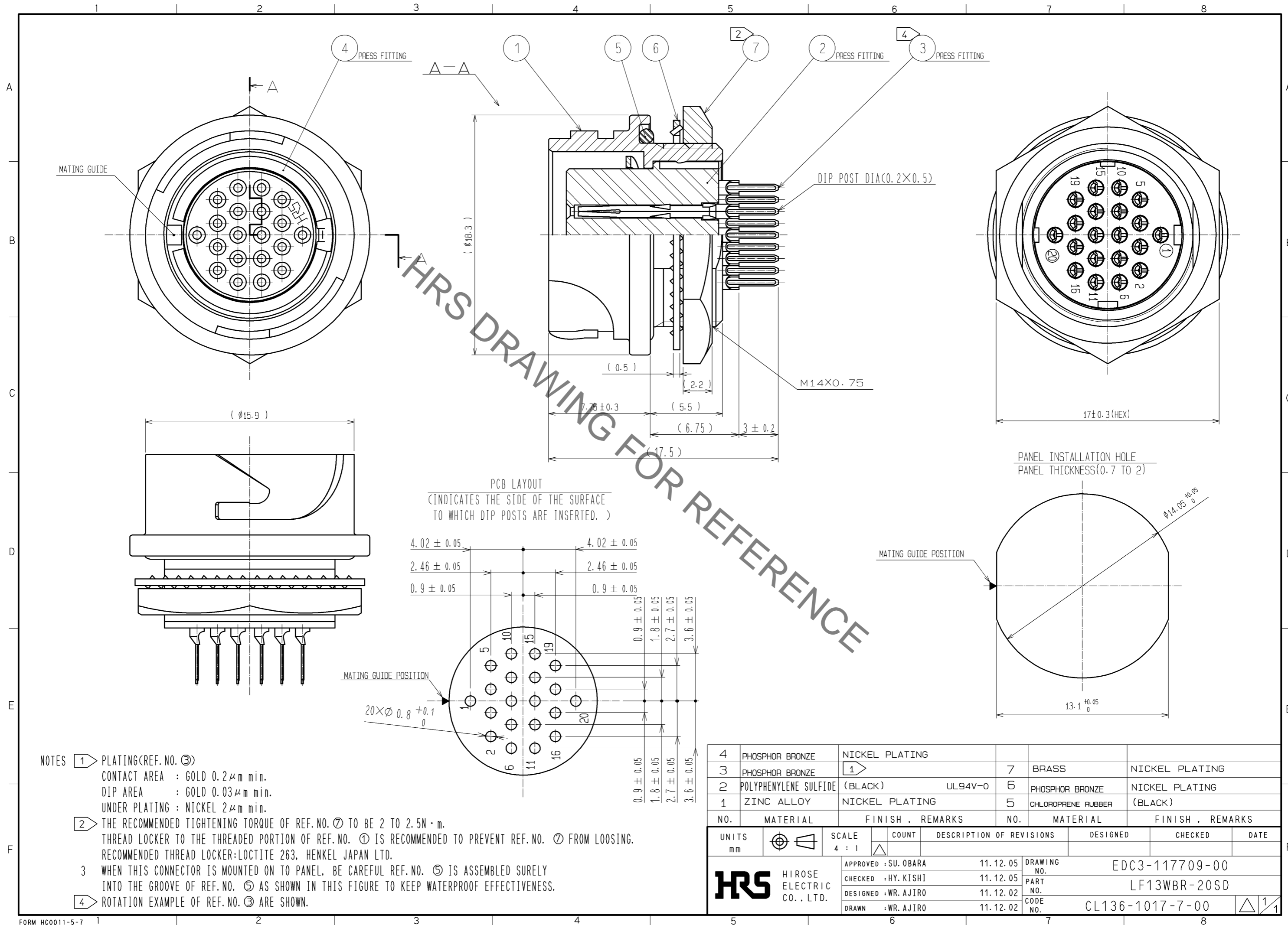


Sep.1.2021 Copyright 2021 HIROSE ELECTRIC CO., LTD. All Rights Reserved.
In case of consideration for using Automotive equipment / device which demand high reliability, kindly contact our sales window correspondents.



- NOTES**
- ① PLATING(REF. NO. ③)
CONTACT AREA : GOLD $0.2 \mu\text{m}$ min.
DIP AREA : GOLD $0.03 \mu\text{m}$ min.
UNDER PLATING : NICKEL $2 \mu\text{m}$ min.
 - ② THE RECOMMENDED TIGHTENING TORQUE OF REF. NO. ⑦ TO BE 2 TO $2.5 \text{N} \cdot \text{m}$.
THREAD LOCKER TO THE THREADED PORTION OF REF. NO. ① IS RECOMMENDED TO PREVENT REF. NO. ⑦ FROM LOOSING.
RECOMMENDED THREAD LOCKER: LOCTITE 263, HENKEL JAPAN LTD.
 - ③ WHEN THIS CONNECTOR IS MOUNTED ON TO PANEL, BE CAREFUL REF. NO. ⑤ IS ASSEMBLED SURELY INTO THE GROOVE OF REF. NO. ⑤ AS SHOWN IN THIS FIGURE TO KEEP WATERPROOF EFFECTIVENESS.
 - ④ ROTATION EXAMPLE OF REF. NO. ③ ARE SHOWN.

NO.	MATERIAL	FINISH . REMARKS	NO.	MATERIAL	FINISH . REMARKS
4	PHOSPHOR BRONZE	NICKEL PLATING	7	BRASS	NICKEL PLATING
3	PHOSPHOR BRONZE	①	6	PHOSPHOR BRONZE	NICKEL PLATING
2	POLYPHENYLENE SULFIDE (BLACK)	UL94V-0	5	CHLOROPRENE RUBBER	(BLACK)
1	ZINC ALLOY	NICKEL PLATING			

UNITS	SCALE	COUNT	DESCRIPTION OF REVISIONS	DESIGNED	CHECKED	DATE
mm	4 : 1	△	APPROVED : SU. OBARA 11.12.05			
			CHECKED : HY. KISHI 11.12.05			
			DESIGNED : WR. AJIRO 11.12.02			
			DRAWN : WR. AJIRO 11.12.02			

DRAWING NO.	PART NO.	CODE NO.
EDC3-117709-00	LF13WBR-20SD	CL136-1017-7-00

X-ON Electronics

Largest Supplier of Electrical and Electronic Components

Click to view similar products for [Standard Circular Connector](#) category:

Click to view products by [Hirose](#) manufacturer:

Other Similar products are found below :

[5M2530B10P](#) [600259N006](#) [600273N007](#) [6134-336-13149](#) [6134-337-11149](#) [6134-337-2390](#) [6134-341-17149](#) [6280-4SG-516](#) [6280-7SG-3DC](#)
[6290](#) [6291A](#) [66200A-10](#) [680-SMG](#) [681-PMG](#) [CXS3102A14S2P](#) [CXS3102A181S](#) [7251-6SG-300](#) [7271-6SG-300](#) [7282-3PG-300-CH3](#) [75-](#)
[474014-05S](#) [75-474618-01S](#) [75-474618-04P](#) [75-474618-04S](#) [799539-000](#) [MI8-SE](#) [805-005-07NF11-19PC](#) [805-005-07NF15-7PA](#) [8280-4PG-](#)
[516](#) [8280-7PG-519](#) [8282-5PG-519](#) [836783-1](#) [MP-4102-25P-C](#) [862256-1](#) [864019-2](#) [866857-1](#) [867865-1](#) [PT01SP-14-18P](#) [PT08P-14-5S](#)
[PTSF06SE-14-12S](#) [120-1833-000](#) [QCM019PC2DC012B](#) [1-2069279-1](#) [121583-0217](#) [121667-0020](#) [129591AU](#) [1000B BULK](#) [RD10A16-19-](#)
[P6CS051/1](#) [RD10A20-31-P8CS051/1](#) [RD16A14-12-S6CS051/2](#) [1301240290](#) [1301240347](#)