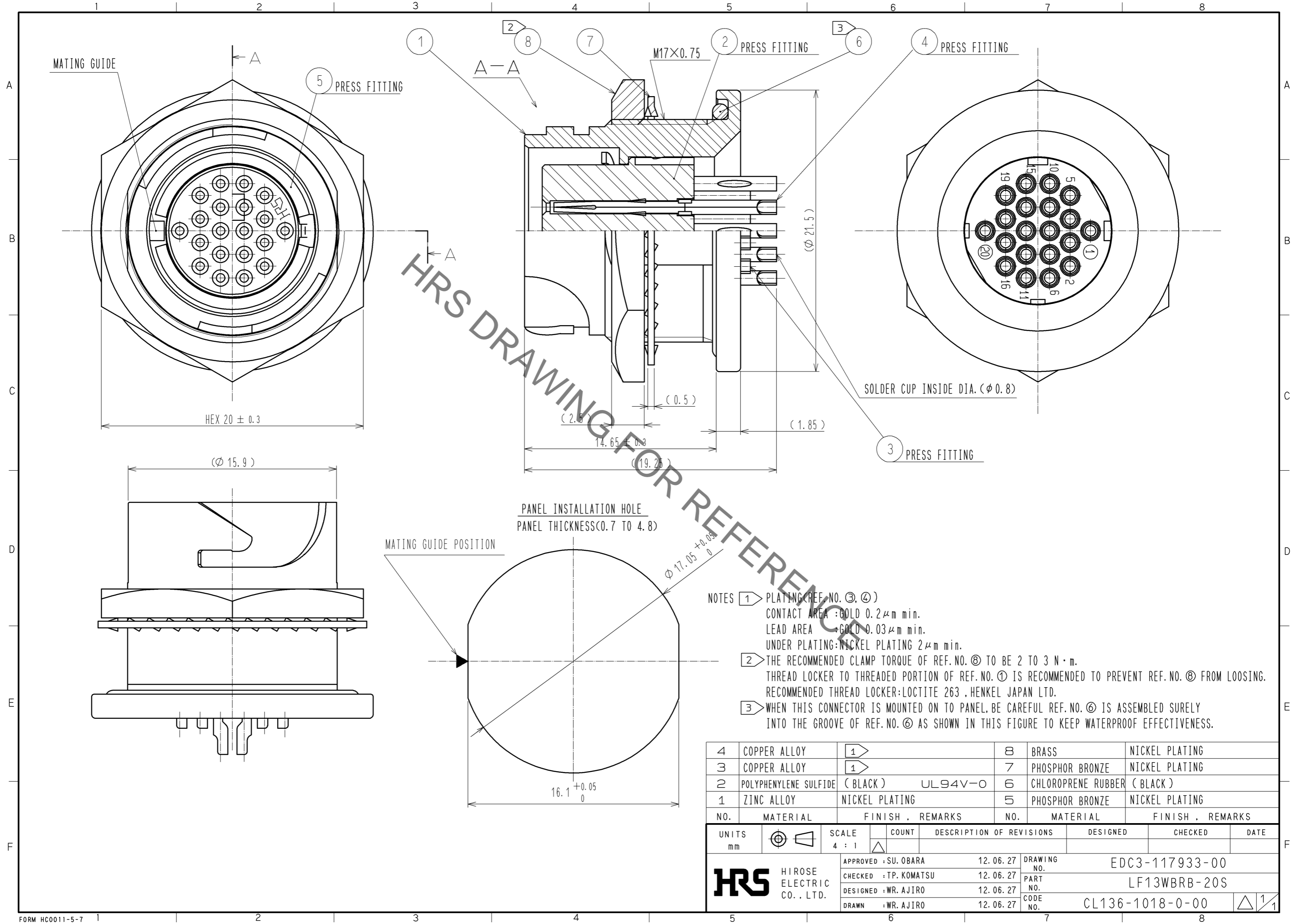


Aug.1.2021 Copyright 2021 HIROSE ELECTRIC CO., LTD. All Rights Reserved.
In case of consideration for using Automotive equipment / device which demand high reliability, kindly contact our sales window correspondents.



HRS DRAWING FOR REFERENCE ONLY

- NOTES
- ① PLATING (REF. NO. ③, ④)
CONTACT AREA : GOLD 0.2 μm min.
LEAD AREA : GOLD 0.03 μm min.
UNDER PLATING: NICKEL PLATING 2 μm min.
 - ② THE RECOMMENDED CLAMP TORQUE OF REF. NO. ⑧ TO BE 2 TO 3 N · m.
THREAD LOCKER TO THREADED PORTION OF REF. NO. ① IS RECOMMENDED TO PREVENT REF. NO. ⑧ FROM LOOSING.
RECOMMENDED THREAD LOCKER: LOCTITE 263 , HENKEL JAPAN LTD.
 - ③ WHEN THIS CONNECTOR IS MOUNTED ON TO PANEL, BE CAREFUL REF. NO. ⑥ IS ASSEMBLED SURELY INTO THE GROOVE OF REF. NO. ⑥ AS SHOWN IN THIS FIGURE TO KEEP WATERPROOF EFFECTIVENESS.

4	COPPER ALLOY	①	8	BRASS	NICKEL PLATING
3	COPPER ALLOY	①	7	PHOSPHOR BRONZE	NICKEL PLATING
2	POLYPHENYLENE SULFIDE (BLACK)	UL94V-0	6	CHLOROPRENE RUBBER (BLACK)	
1	ZINC ALLOY	NICKEL PLATING	5	PHOSPHOR BRONZE	NICKEL PLATING
NO.	MATERIAL	FINISH . REMARKS	NO.	MATERIAL	FINISH . REMARKS

UNITS mm		SCALE 4 : 1	COUNT 	DESCRIPTION OF REVISIONS	DESIGNED	CHECKED	DATE
HIROSE ELECTRIC CO., LTD.				APPROVED : SU. OBARA 12.06.27 CHECKED : TP. KOMATSU 12.06.27 DESIGNED : WR. AJIRO 12.06.27 DRAWN : WR. AJIRO 12.06.27	DRAWING NO. EDC3-117933-00 PART NO. LF13WBRB-20S CODE NO. CL136-1018-0-00		

X-ON Electronics

Largest Supplier of Electrical and Electronic Components

Click to view similar products for [Standard Circular Connector](#) category:

Click to view products by [Hirose](#) manufacturer:

Other Similar products are found below :

[5M2530B10P](#) [600259N006](#) [600273N007](#) [6134-336-13149](#) [6134-337-11149](#) [6134-337-2390](#) [6134-341-17149](#) [6280-4SG-516](#) [6280-7SG-3DC](#)
[6290](#) [6291A](#) [66200A-10](#) [680-SMG](#) [681-PMG](#) [CXS3102A14S2P](#) [CXS3102A181S](#) [7251-6SG-300](#) [7271-6SG-300](#) [7282-3PG-300-CH3](#) [75-](#)
[474014-05S](#) [75-474618-01S](#) [75-474618-04P](#) [75-474618-04S](#) [799539-000](#) [MI8-SE](#) [805-005-07NF11-19PC](#) [805-005-07NF15-7PA](#) [8280-4PG-](#)
[516](#) [8280-7PG-519](#) [8282-5PG-519](#) [836783-1](#) [MP-4102-25P-C](#) [862256-1](#) [864019-2](#) [866857-1](#) [867865-1](#) [PT01SP-14-18P](#) [PT08P-14-5S](#)
[PTSF06SE-14-12S](#) [120-1833-000](#) [QCM019PC2DC012B](#) [1-2069279-1](#) [121583-0217](#) [121667-0020](#) [129591AU](#) [1000B BULK](#) [RD10A16-19-](#)
[P6CS051/1](#) [RD10A20-31-P8CS051/1](#) [RD16A14-12-S6CS051/2](#) [1301240290](#) [1301240347](#)