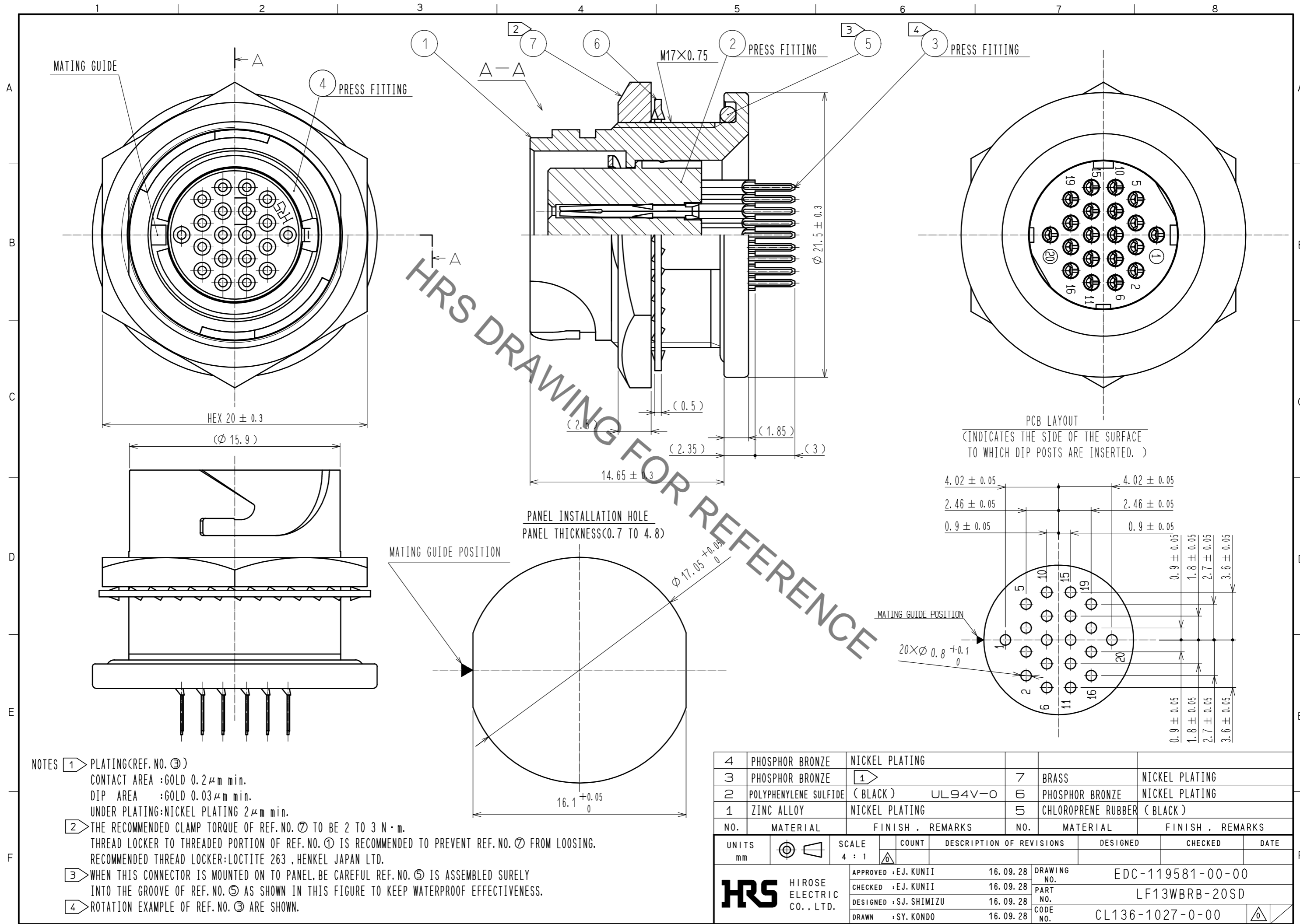


Sep.1.2021 Copyright 2021 HIROSE ELECTRIC CO., LTD. All Rights Reserved.  
In case of consideration for using Automotive equipment / device which demand high reliability, kindly contact our sales window correspondents.



- NOTES
- ① PLATING(REF. NO. ③)  
CONTACT AREA :GOLD 0.2 $\mu$ m min.  
DIP AREA :GOLD 0.03 $\mu$ m min.  
UNDER PLATING:NICKEL PLATING 2 $\mu$ m min.
  - ② THE RECOMMENDED CLAMP TORQUE OF REF. NO. ⑦ TO BE 2 TO 3 N·m.  
THREAD LOCKER TO THREADED PORTION OF REF. NO. ① IS RECOMMENDED TO PREVENT REF. NO. ⑦ FROM LOOSING.  
RECOMMENDED THREAD LOCKER:LOCTITE 263 , HENKEL JAPAN LTD.
  - ③ WHEN THIS CONNECTOR IS MOUNTED ON TO PANEL,BE CAREFUL REF. NO. ⑤ IS ASSEMBLED SURELY INTO THE GROOVE OF REF. NO. ⑤ AS SHOWN IN THIS FIGURE TO KEEP WATERPROOF EFFECTIVENESS.
  - ④ ROTATION EXAMPLE OF REF. NO. ③ ARE SHOWN.

4	PHOSPHOR BRONZE	NICKEL PLATING			
3	PHOSPHOR BRONZE	①	7	BRASS	NICKEL PLATING
2	POLYPHENYLENE SULFIDE (BLACK)	UL94V-0	6	PHOSPHOR BRONZE	NICKEL PLATING
1	ZINC ALLOY	NICKEL PLATING	5	CHLOROPRENE RUBBER (BLACK)	
NO.	MATERIAL	FINISH . REMARKS	NO.	MATERIAL	FINISH . REMARKS
UNITS		SCALE	COUNT	DESCRIPTION OF REVISIONS	DESIGNED
mm		4 : 1			CHECKED
APPROVED :EJ. KUNII			16.09.28	DRAWING NO. EDC-119581-00-00	
CHECKED :EJ. KUNII			16.09.28	PART NO. LF13WBRB-20SD	
DESIGNED :S.J. SHIMIZU			16.09.28	CODE NO. CL136-1027-0-00	
DRAWN :SY. KONDO			16.09.28		

## X-ON Electronics

Largest Supplier of Electrical and Electronic Components

*Click to view similar products for [Standard Circular Connector](#) category:*

*Click to view products by [Hirose](#) manufacturer:*

Other Similar products are found below :

[5M2530B10P](#) [600259N006](#) [600273N007](#) [6134-336-13149](#) [6134-337-11149](#) [6134-337-2390](#) [6134-341-17149](#) [6280-4SG-516](#) [6280-7SG-3DC](#)  
[6290](#) [6291A](#) [66200A-10](#) [680-SMG](#) [681-PMG](#) [CXS3102A14S2P](#) [CXS3102A181S](#) [7251-6SG-300](#) [7271-6SG-300](#) [7282-3PG-300-CH3](#) [75-](#)  
[474014-05S](#) [75-474618-01S](#) [75-474618-04P](#) [75-474618-04S](#) [799539-000](#) [MI8-SE](#) [805-005-07NF11-19PC](#) [805-005-07NF15-7PA](#) [8280-4PG-](#)  
[516](#) [8280-7PG-519](#) [8282-5PG-519](#) [836783-1](#) [MP-4102-25P-C](#) [862256-1](#) [864019-2](#) [866857-1](#) [867865-1](#) [PT01SP-14-18P](#) [PT08P-14-5S](#)  
[PTSF06SE-14-12S](#) [120-1833-000](#) [QCM019PC2DC012B](#) [1-2069279-1](#) [121583-0217](#) [121667-0020](#) [129591AU](#) [1000B BULK](#) [RD10A16-19-](#)  
[P6CS051/1](#) [RD10A20-31-P8CS051/1](#) [RD16A14-12-S6CS051/2](#) [1301240290](#) [1301240347](#)