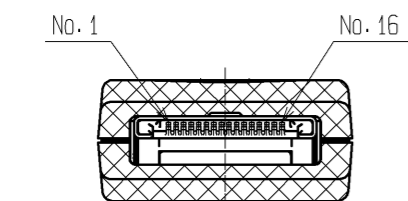
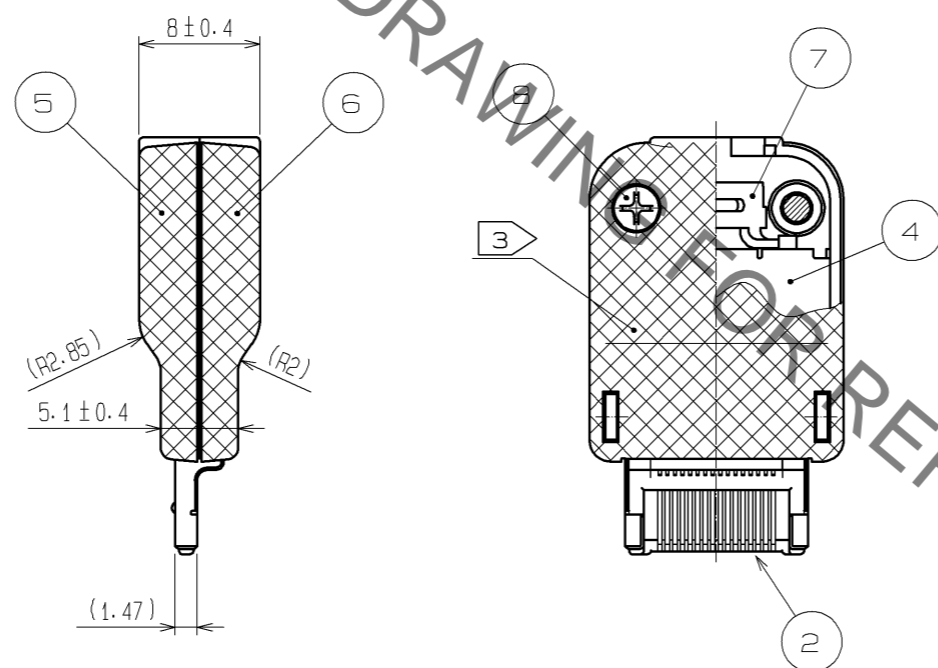
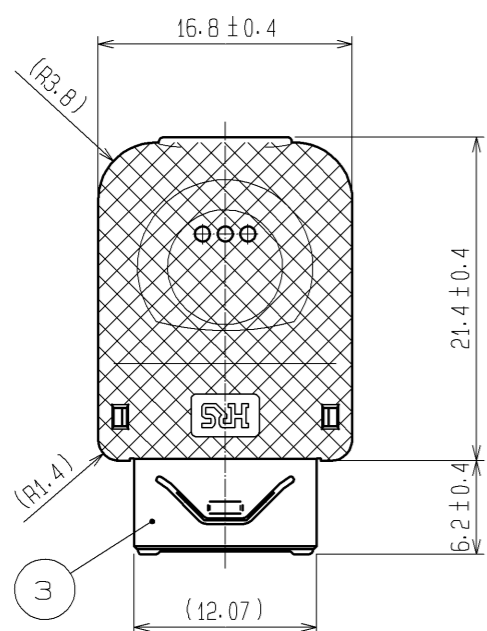
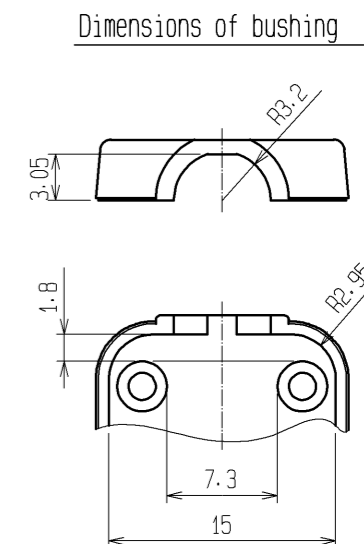
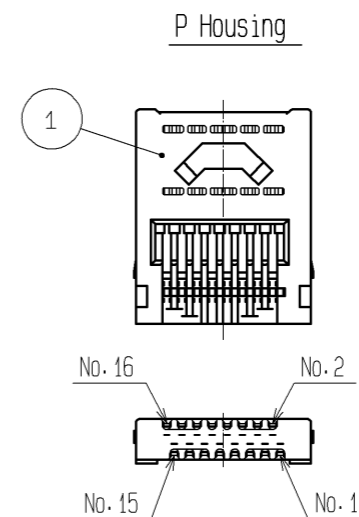
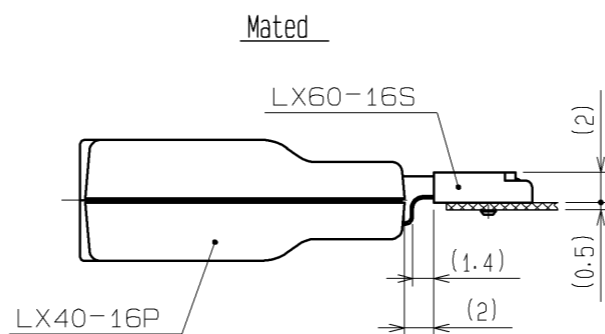
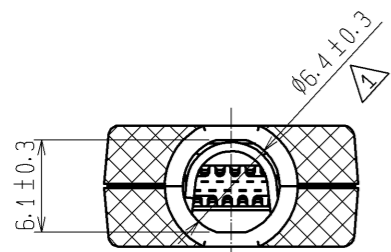


Sep.1.2021 Copyright 2021 HIROSE ELECTRIC CO., LTD. All Rights Reserved.
 In case of consideration for using Automotive equipment / device which demand high reliability, kindly contact our sales window correspondents.



- Notes) 1. Cable is to be fixed firmly by a bushing or one-piece molded cable bushing, and use non color migrant resin as material for bushing.
2. Components are packed separately by the types of parts with cross-carved tapping screws attached.
- 3 Oblique-Hatched area is Matte-Finished.
4. Procedure of connecting wires is shown in ATAD-E2746 or ATAD-E2444.

4	Stainless steel		8	Steel	
3	Stainless steel		7	Brass	
2	Copper Alloy	Contact: Selective gold plating (0.3μm) Terminal area: Selective gold flush plating	6	PC	Color: Black UL94V-0
1	PA9T(9TNylon)	Color: Black UL94V-0	5	PC	Color: Black UL94V-0
NO.	MATERIAL	FINISH . REMARKS	NO.	MATERIAL	FINISH . REMARKS
UNITS		SCALE	COUNT	DESCRIPTION OF REVISIONS	
mm		2 : 1	2	DIS-E-002250	
APPROVED : HO. MIWA			05.01.05	DESIGNED	SJ. SHIMIZU
CHECED : YH. ENAMI			05.01.05	CHECKED	NF. MIYAZAKI
DESIGNED : TU. TANIGUCHI			05.01.05	DATE	08.04.14
DRAWN : TU. TANIGUCHI			05.01.05	DRAWING NO. EDC3-124883-00	
PART NO. LX40-16P				CODE NO. CL245-0002-3-00	
				1/1	

X-ON Electronics

Largest Supplier of Electrical and Electronic Components

Click to view similar products for [I/O Connectors](#) category:

Click to view products by [Hirose](#) manufacturer:

Other Similar products are found below :

[571763P](#) [58098-0628](#) [72.250.1628.2](#) [72.250.2428.2](#) [74720-0505](#) [76.350.0729.0](#) [76871-1403](#) [FCN-244F080-G/1](#) [FCN-260A9920](#) [PCR-E36PM](#) [PCS-XE26MA+](#) [G38A71314B](#) [1571250010](#) [157-22500-3](#) [MS3471L14-19P L/C](#) [192991-0703](#) [172501-4002](#) [172501-6002](#) [FCN-260C008-A/L0](#) [FCN-260C024-AL0](#) [FCN-261Z008](#) [2000314-1](#) [200331-1](#) [PCR-E36FC+](#) [PCS-E28FS+](#) [PCS-XE26SLFD+](#) [PCS-XE26SLFDT+](#) [G730VID08BDC24](#) [U90B2054081210](#) [UE86K842720321](#) [38113800006](#) [DP3AR020WQ1R200](#) [Z4.102.0680.0](#) [500-1040](#) [500-1052](#) [500-1054](#) [ZP-4008-66L](#) [0709821002](#) [DX40-20P\(55\)](#) [5554841-1](#) [MS3474W18-8P-LC*](#) [SM3106F14S-7S-LC](#) [U90B3054061110](#) [U65-E04-4020](#) [ZPF000000000097891](#) [557-262M2-06C](#) [747360449](#) [10099439-003C-TRLF](#) [10137239-0021LF](#) [E9320-001-01](#)