

Sep.1.2021 Copyright 2021 HIROSE ELECTRIC CO., LTD. All Rights Reserved.
 2 In case of consideration for using Automotive equipment / device which demand high reliability, kindly contact our sales window correspondents.

COUNT	DESCRIPTION OF REVISIONS	BY	CHKD	DATE

COUNT	DESCRIPTION OF REVISIONS	BY	CHKD	DATE

COUNT	DESCRIPTION OF REVISIONS	BY	CHKD	DATE

COUNT	DESCRIPTION OF REVISIONS	BY	CHKD	DATE

COUNT	DESCRIPTION OF REVISIONS	BY	CHKD	DATE

COUNT	DESCRIPTION OF REVISIONS	BY	CHKD	DATE

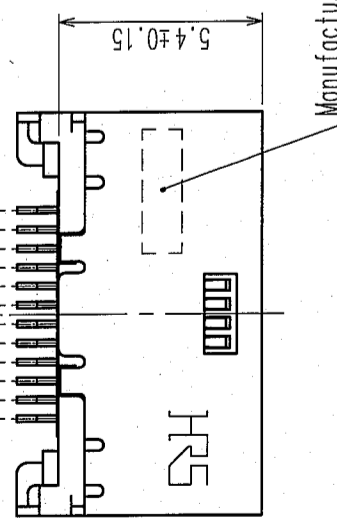
COUNT	DESCRIPTION OF REVISIONS	BY	CHKD	DATE

COUNT	DESCRIPTION OF REVISIONS	BY	CHKD	DATE

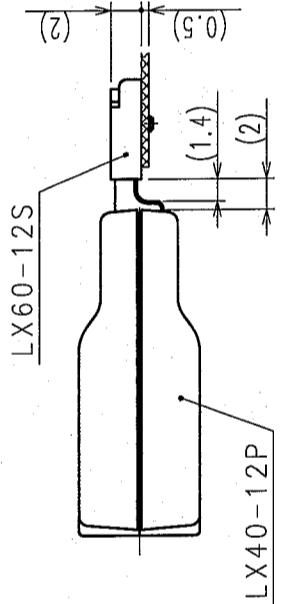
COUNT	DESCRIPTION OF REVISIONS	BY	CHKD	DATE

COUNT	DESCRIPTION OF REVISIONS	BY	CHKD	DATE

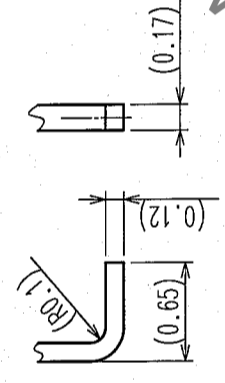
2.75±0.05	2.75±0.05
2.25±0.05	2.25±0.05
1.75±0.05	1.75±0.05
1.25±0.05	1.25±0.05
0.75±0.05	0.75±0.05
0.25±0.05	0.25±0.05



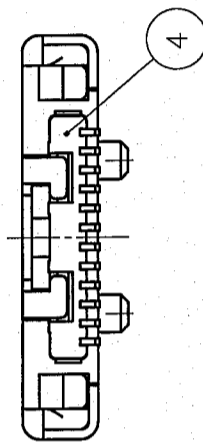
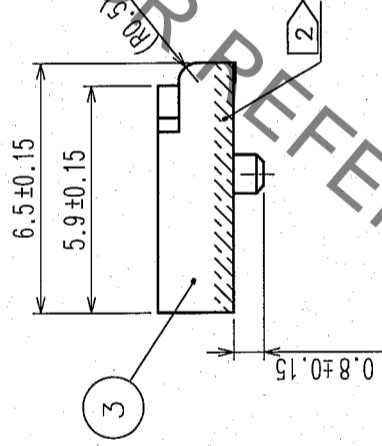
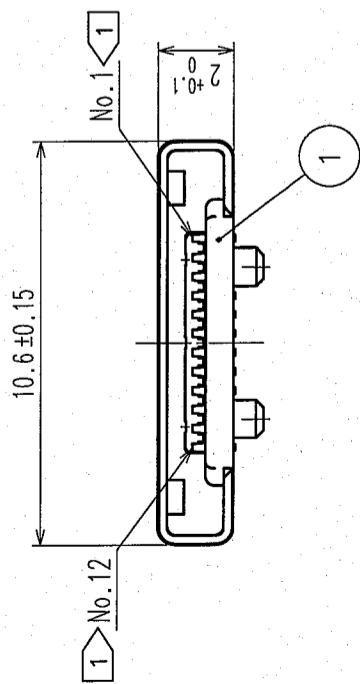
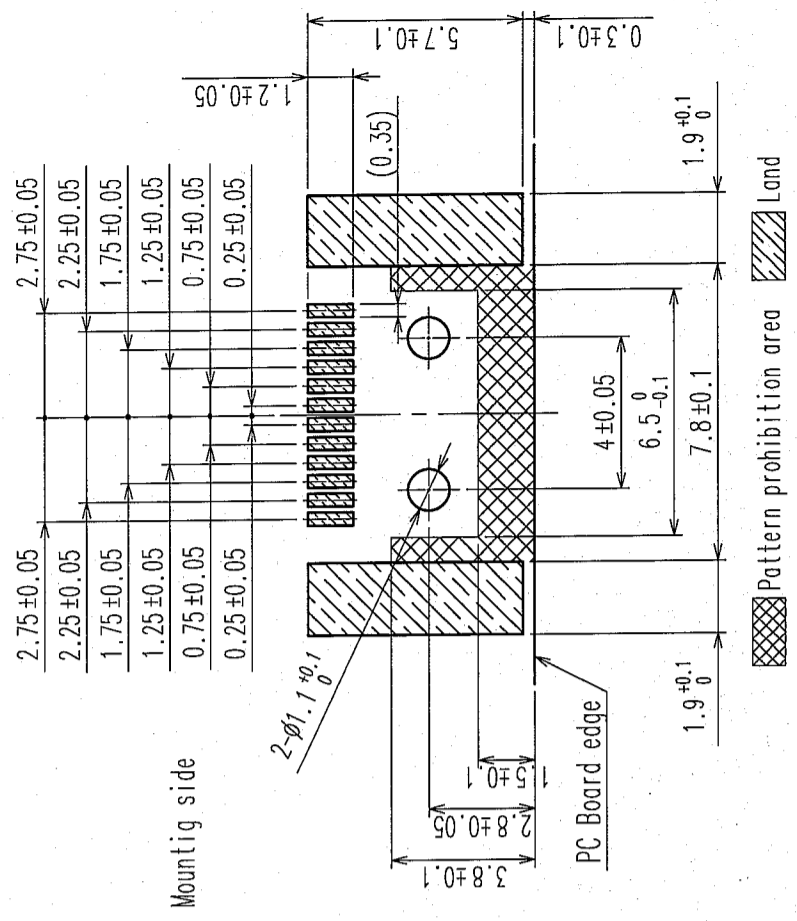
Mated (2:1)



Dimensions SMT lead (20:1)



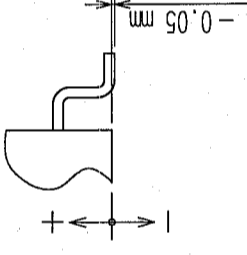
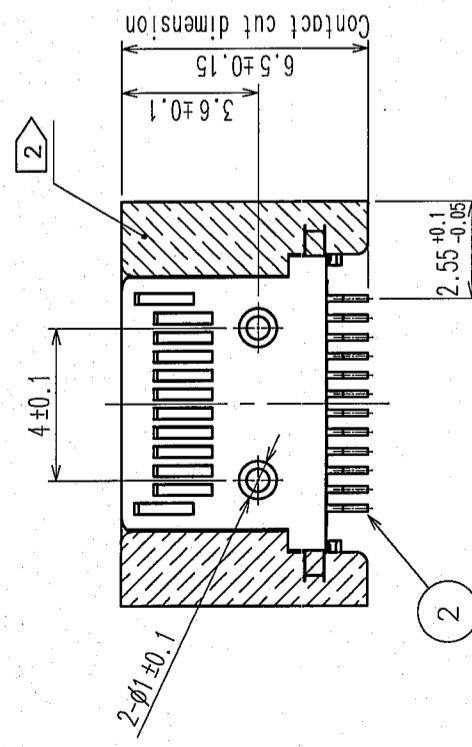
Recommended PC board pattern



Notes) 1) No.1 and 12 pin are dedicated to sequence contact.

2) shows selective gold flush plated area.

3. SMT contact coplanarity should be less than 0.1mm within the range from -0.1mm to +0.05mm.



HRS DRAWING FOR REFERENCE

TO
Q

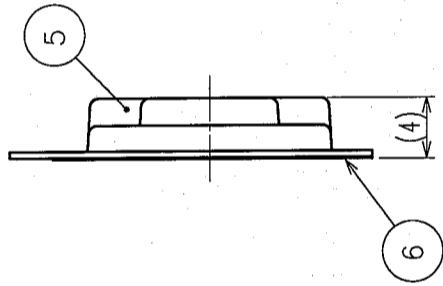
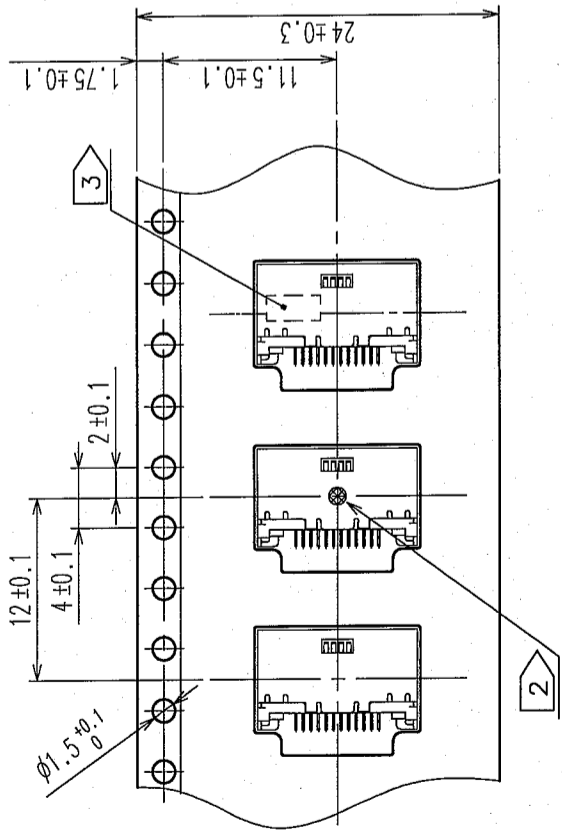
NO.	MATERIAL	FINISH, REMARKS	NO.	MATERIAL	FINISH, REMARKS
2	Copper alloy	Contact: Selective gold plating (0.3µm) Lead: Selective gold flush plating	4	PA9T (9T Nylon)	Color: black UL94V-0
1	PA9T (9T Nylon)	Color: black UL94V-0	3	Stainless steel	Selective gold flush plating

CODE NO. (OLD)	DRAWN	DESIGNED	CHECKED	APPROVED	RELEASED

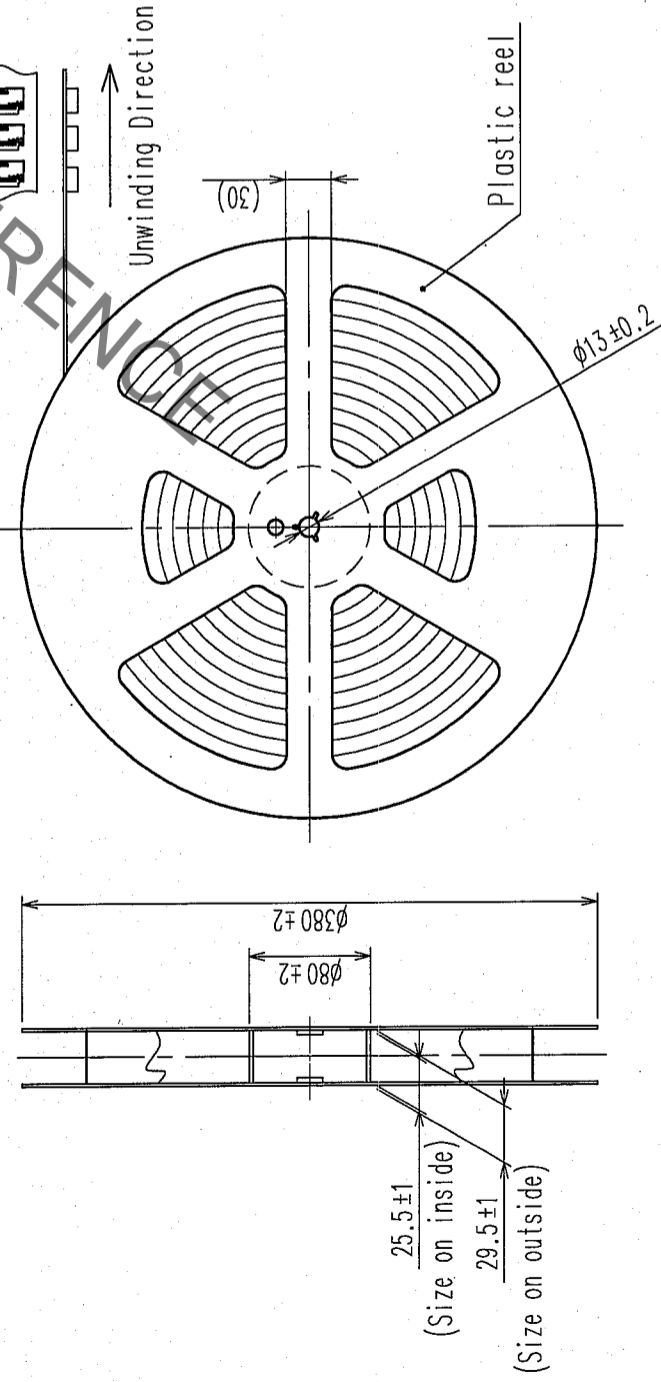
DRAWING NO.	EDC3-125470	PART NO.	LX60-12S
SCALE	5 : 1	CODE NO.	CL245-0018-3
UNITS	mm		

COUNT	DESCRIPTION OF REVISIONS	BY	CHKD	DATE	COUNT	DESCRIPTION OF REVISIONS	BY	CHKD	DATE

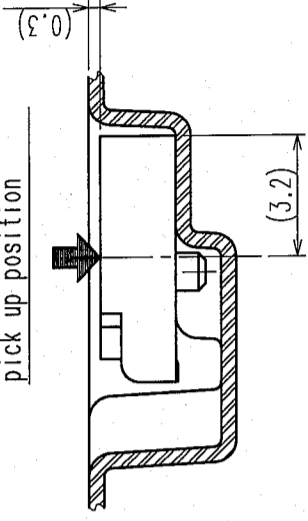
Unwinding Direction



Plastic reel packaging dimensions
(Free)



② Dimensions for vacuum pick up position



- notes) 1. Packing type: Tape and reel. 2000 pcs per reel.
 ② Indication is the approximate position to vacuum pick up.
 ③ Mark the manufacturing lot number at the indicated position
 Composition of lot number is as shown below.

<Ex.> 6 K A 1 → Lot No. for the component manufactured at line No.1 on november 10, 2006.

Note) ④ is indicated only when there are multiple manufacturing lines.

①		②		③		④	
Year	Print	Month	Print	Date	Print	Date	Print
06	6	Jan.	A	The first	1	The 11th	B
07	7	Feb.	B	The second	2	The 12th	C
08	8	Mar.	C	The third	3	The 13th	D
.	.	Apr.	D	The fourth	4	The 14th	E
.	.	May	E	The fifth	5	The 15th	F
.	.	Jun	F	The sixth	6	The 16th	G
.	.	Jul	G	The seventh	7	The 17th	H
.	.	Aug.	H	The eighth	8	The 18th	I
.	.	Sep.	I	The ninth	9	The 19th	J
.	.	Oct.	J	The tenth	A	The 20th	K
.	.	Nov.	K				L
.	.	Dec.	L				M

5 PS	Embossed carrier tape	6 PS	Top cover tape
NO.	MATERIAL	NO.	MATERIAL
CODE NO. (OLD)	FINISH, REMARKS	DESIGNED	CHECKED
		DRAWN	APPROVED
			RELEASED
DRAWING NO. EDC3-125470		PART NO. LX60-12S	
SCALE 2:1		CODE NO. CL245-0018-3	
UNITS		FORM NO. 229	

HRS DRAWING FOR REFERENCE

TO	
Q	

X-ON Electronics

Largest Supplier of Electrical and Electronic Components

Click to view similar products for [I/O Connectors](#) category:

Click to view products by [Hirose](#) manufacturer:

Other Similar products are found below :

[571763P](#) [58098-0628](#) [72.250.1628.2](#) [72.250.2428.2](#) [74720-0505](#) [76.350.0729.0](#) [76871-1403](#) [FCN-244F080-G/1](#) [FCN-260A9920](#) [MP-5T180MUNNA-005](#) [PCR-E36PM](#) [PCS-XE26MA+](#) [G38A71314B](#) [1571250010](#) [157-22500-3](#) [MS3471L14-19P L/C](#) [192991-0703](#) [172501-4002](#) [172501-6002](#) [FCN-260C008-A/L0](#) [FCN-260C024-AL0](#) [FCN-261Z008](#) [2000314-1](#) [200331-1](#) [PCR-E36FC+](#) [PCS-E28FS+](#) [PCS-XE26SLFD+](#) [PCS-XE26SLFDT+](#) [G730VID08BDC24](#) [HDR-E14MSG1+](#) [U90B2054081210](#) [UE86K842720321](#) [38113800006](#)
[DP3AR020WQ1R200](#) [Z4.102.0680.0](#) [500-1040](#) [500-1052](#) [500-1054](#) [ZP-4008-66L](#) [0709821002](#) [DX40-20P\(55\)](#) [5554841-1](#) [MS3474W18-8P-LC*](#) [SM3106F14S-7S-LC](#) [U90B3054061110](#) [U65-E04-4020](#) [ZPF000000000097891](#) [557-262M2-06C](#) [747360449](#) [10099439-003C-TRLF](#)