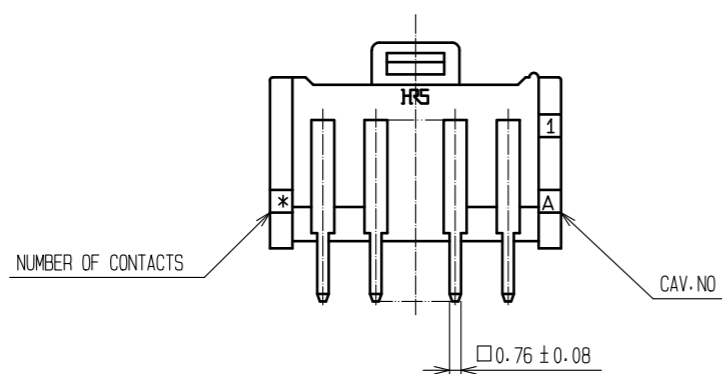
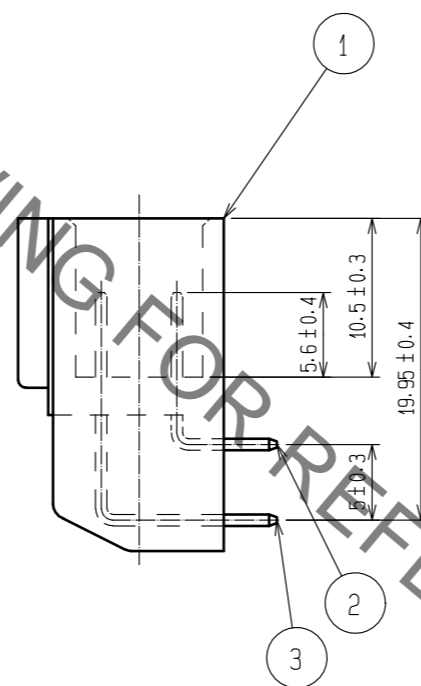
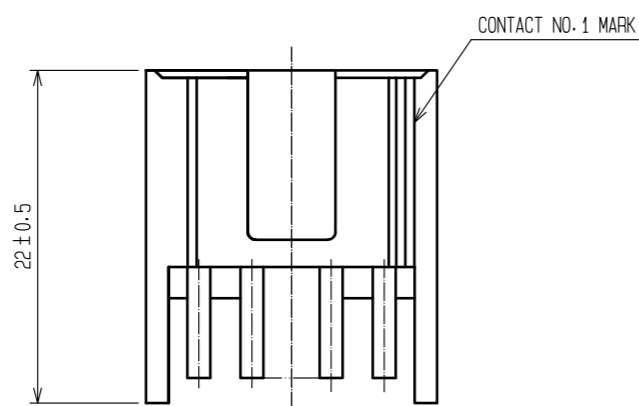
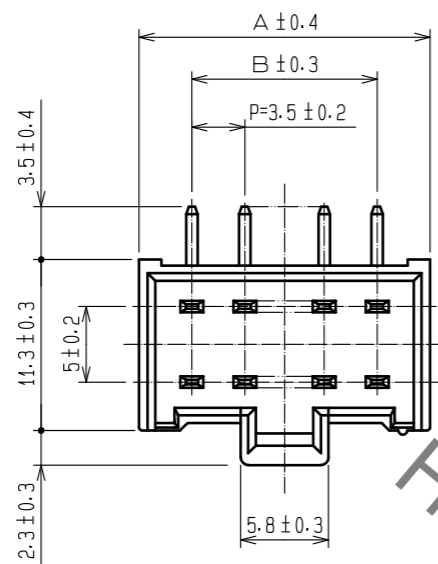
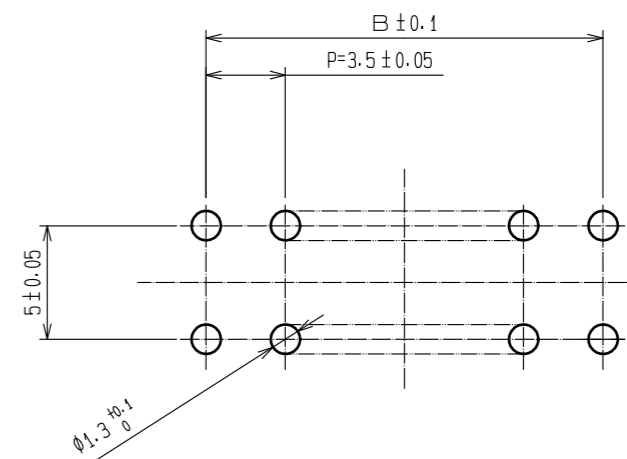


Jan.1.2022 Copyright 2022 HIROSE ELECTRIC CO., LTD. All Rights Reserved.  
In case of consideration for using Automotive equipment / device which demand high reliability, kindly contact our sales window correspondents.



CODE NO.	PART NO.	NUMBER OF CONTACTS	A	B
CL547-0270-0-23	MDF6- 4DP-3.5DS(23)	4	10.5	3.5
CL547-0271-2-23	MDF6- 6DP-3.5DS(23)	6	14.0	7.0
CL547-0272-5-23	MDF6- 8DP-3.5DS(23)	8	17.5	10.5
CL547-0273-8-23	MDF6-10DP-3.5DS(23)	10	21.0	14.0

RECOMMENDED PATTERN



NOTE 1 : UL (FILE No. E52653)  
CSA (FILE No. LR95109) AUTHORIZATION ARTICLE.



NO.	MATERIAL	FINISH .	REMARKS	NO.	MATERIAL	FINISH .	REMARKS
2	BRASS		SURFACE:TIN PLATED 1#m min UNDER PLATING:NICKEL 1#m min	3	BRASS		SURFACE:TIN PLATED 1#m min UNDER PLATING:NICKEL 1#m min
1	POLYAMIDE		NATURAL (WHITE), UL94V-0				

UNITS	SYMBOLS	SCALE	COUNT	DESCRIPTION OF REVISIONS	DESIGNED	CHECKED	DATE
mm	⊙, △, □	2 : 1	△				

APPROVED : HS. OKAWA	20200313	DRAWING NO.	EDC-162426-23-00
CHECKED : TS. KUMAZAWA	20200313	PART NO.	MDF6-*DP-3.5DS(23)
DESIGNED : HK. HAYASHI	20200313	CODE NO.	CL547-
DRAWN : DS. HIROWATARI	20200306		

## X-ON Electronics

Largest Supplier of Electrical and Electronic Components

*Click to view similar products for [Power to the Board](#) category:*

*Click to view products by [Hirose](#) manufacturer:*

Other Similar products are found below :

[6450552-7](#) [6643429-1](#) [6646040-2](#) [6766604-1](#) [120959-1](#) [1393557-2](#) [1393532-2](#) [1393532-3](#) [1393532-4](#) [1393557-1](#) [1744132-7](#) [1766250-1](#)  
[1892109-1](#) [1-6450850-6](#) [1-6450869-6](#) [1645526-2](#) [2005243-2](#) [377-0020-11130](#) [MC116N](#) [TE34-12-16P-F0](#) [51700-10201602AALF](#) [51970-004](#) [5-6450830-6](#) [4-6600333-3](#) [10125416-4050LF](#) [10130248-005LF](#) [6600320-3](#) [IPBT-103-H1-T-S-RA](#) [1888123-2](#) [6766605-1](#) [701-15-02109](#)  
[6450810-7](#) [46437-1112](#) [6450813-2](#) [6450842-4](#) [10108877-R24403SLF](#) [1645523-1](#) [PSS-06-01-T-S](#) [FWS-03-04-T-S](#) [51760-10301603ABLF](#)  
[MDF6-TA2022HC](#) [FWS-05-01-T-S](#) [51720-10206002AALF](#) [QE-POL-KEY](#) [FWS-08-01-T-S](#) [698-0075-04](#) [6651670-1](#) [MC120N](#) [2-1600788-6](#)  
[1761385-3](#)