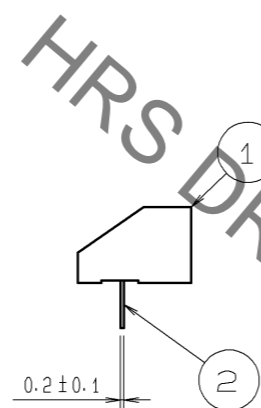
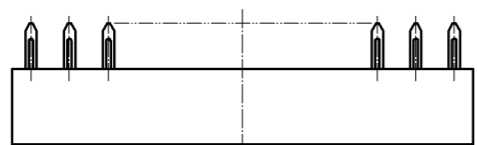
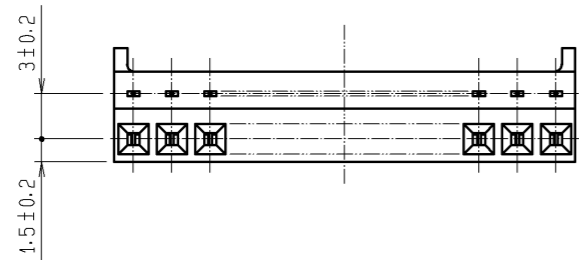
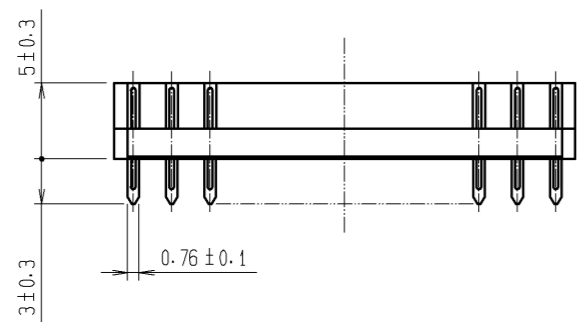
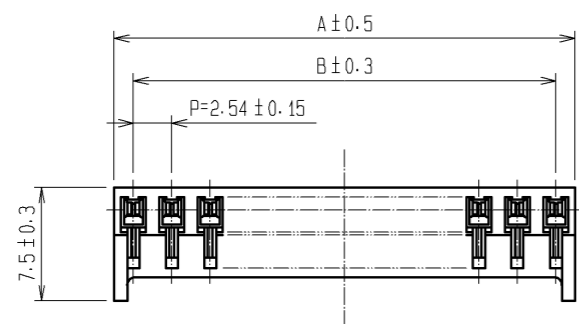


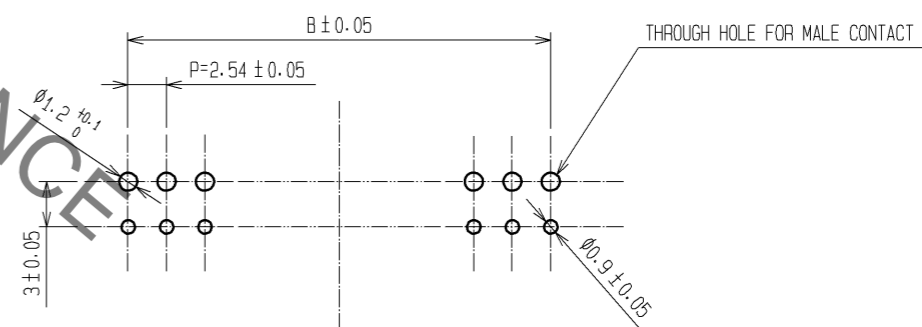
Aug.1.2021 Copyright 2021 HIROSE ELECTRIC CO., LTD. All Rights Reserved.  
In case of consideration for using Automotive equipment / device which demand high reliability, kindly contact our sales window correspondents.



HRS DRAWING FOR REFERENCE

CODE NO.	PART NO.	NUMBER OF CONTACTS	A	B
CL547-0355-0-56	MDF7- 3S-2.54DSA(56)	3	7.62	5.08
CL547-0112-9-56	MDF7- 5S-2.54DSA(56)	5	12.70	10.16
CL547-0129-1-56	MDF7- 6S-2.54DSA(56)	6	15.24	12.70
CL547-0135-4-56	MDF7- 7S-2.54DSA(56)	7	17.78	15.24
CL547-0136-7-56	MDF7- 8S-2.54DSA(56)	8	20.32	17.78
CL547-0137-0-56	MDF7- 9S-2.54DSA(56)	9	22.86	20.32
CL547-0038-8-56	MDF7-10S-2.54DSA(56)	10	25.40	22.86
CL547-0138-2-56	MDF7-11S-2.54DSA(56)	11	27.94	25.40
CL547-0040-0-56	MDF7-12S-2.54DSA(56)	12	30.48	27.94
CL547-0139-5-56	MDF7-13S-2.54DSA(56)	13	33.02	30.48
CL547-0140-4-56	MDF7-14S-2.54DSA(56)	14	35.56	33.02
CL547-0012-4-56	MDF7-15S-2.54DSA(56)	15	38.10	35.56
CL547-0141-7-56	MDF7-16S-2.54DSA(56)	16	40.64	38.10
CL547-0142-0-56	MDF7-17S-2.54DSA(56)	17	43.18	40.64
CL547-0013-7-56	MDF7-18S-2.54DSA(56)	18	45.72	43.18
CL547-0143-2-56	MDF7-19S-2.54DSA(56)	19	48.26	45.72
CL547-0051-6-56	MDF7-20S-2.54DSA(56)	20	50.80	48.26
CL547-0144-5-56	MDF7-21S-2.54DSA(56)	21	53.34	50.80
CL547-0145-8-56	MDF7-22S-2.54DSA(56)	22	55.88	53.34
CL547-0146-0-56	MDF7-23S-2.54DSA(56)	23	58.42	55.88
CL547-0147-3-56	MDF7-24S-2.54DSA(56)	24	60.96	58.42
CL547-0014-0-56	MDF7-25S-2.54DSA(56)	25	63.50	60.96

RECOMMENDED PC BOARD HOLE PATTERN



1	POLYAMIDE	UL94V-0, BLACK	2	PHOSPHOR BRONZE	CONTACT AREA:GOLD PLATED 0.2µm min LEAD AREA:TIN PLATED 1µm min UNDER PLATING:NICKEL 1µm min
NO.	MATERIAL	FINISH, REMARKS	NO.	MATERIAL	FINISH, REMARKS
UNITS mm		SCALE 2 : 1	COUNT 1	DESCRIPTION OF REVISIONS DIS-H-008943	DESIGNED YN. SAKAMOTO
<b>HRS</b> HIROSE ELECTRIC CO., LTD.		APPROVED : KJ. KATAYOSE 05.01.05	DESIGNED YN. SAKAMOTO	CHECKED TS. MIYAZAKI	DATE 14.08.20
		CHECKED : KI. AKIYAMA 05.01.05	DRAWING NO. EDC3-162738-11		
		DESIGNED : TH. ARAI 05.01.05	PART NO. MDF7-*S-2.54DSA(56)		
		DRAWN : TH. ARAI 05.01.05	CODE NO. CL547-		

## X-ON Electronics

Largest Supplier of Electrical and Electronic Components

*Click to view similar products for [Board to Board & Mezzanine Connectors](#) category:*

*Click to view products by [Hirose](#) manufacturer:*

Other Similar products are found below :

[589158040000018](#) [MDF7C-18P-2.54DSA\(55\)](#) [FCN-230C068-11](#) [FCN-268F012-G/BD](#) [FCN-268F036-G/BD](#) [FCN-268M012-G/0D](#) [FCN-268M024-G/1D](#) [FCN-723J004/1](#) [MIS-048-01-F-D-DP-K](#) [832-10-034-10-001000](#) [FX4C-80S-1.27DSA](#) [FCN-214Q030-G/0](#) [FCN-234P048-G/0](#) [FCN-235D050-G/C](#) [210-93-314-41-105000](#) [2-22603-0](#) [MDF7-40DP-2.54DSA\(55\)](#) [AXG720047](#) [MIT-114-03-F-D-K](#) [55323-1519](#) [DF33-2P-3.3DSA\(24\)](#) [YFT-20-05-H-03-SB-K](#) [503308-3040](#) [026-6203-PDB](#) [027-6203-PDB](#) [069159702701000](#) [10123981-102LF](#) [101A10019X](#) [55650-0588-C](#) [68682-310LF](#) [68684-306](#) [75140-7012](#) [87471-650](#) [YTW-30-07-H-Q-410-140](#) [FCN-268F024-G0D](#) [10124054-515LF](#) [68685-603](#) [8-1616154-3](#) [MIS-019-01-F-D](#) [FCN-268M024-G/3D](#) [FCN-268M036-G/BD](#) [20021832-06016C1LF](#) [KX15-20KLDL-E1000E](#) [AXE810124](#) [FCN-214J100-G/0](#) [FCN-230C068-E/S](#) [AXE812124](#) [AXE816124](#) [AXE720127](#) [354184](#)