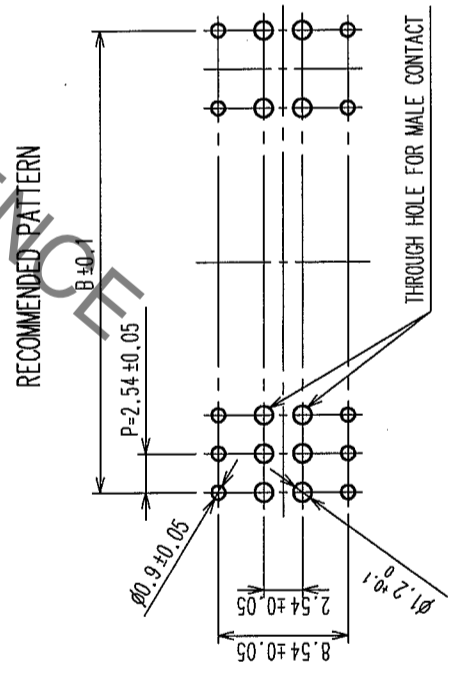
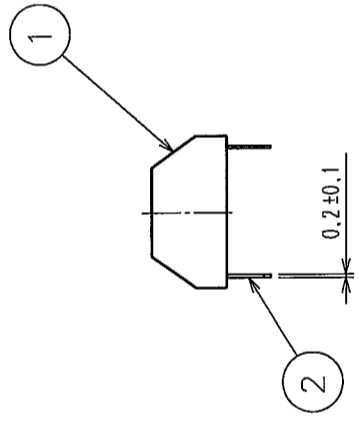
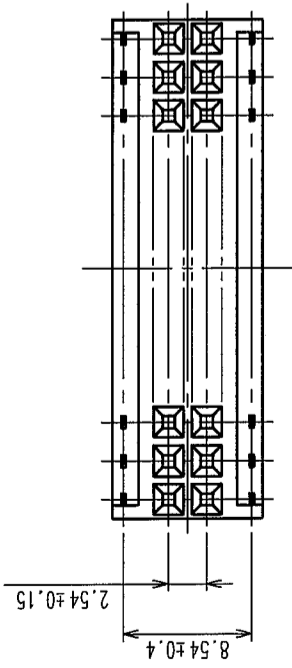
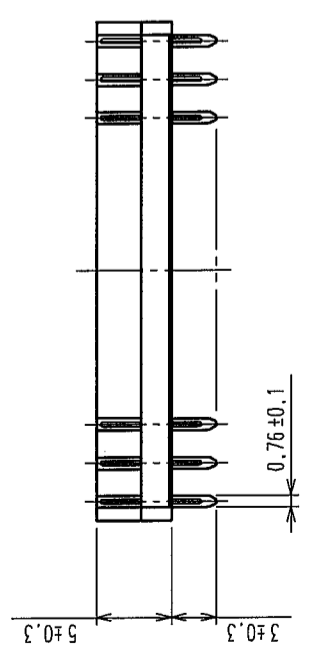
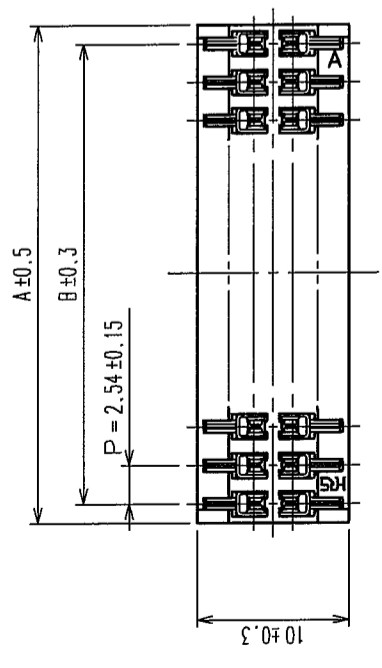


2 In case of consideration for using Automotive equipment / device which demand high reliability, kindly contact our sales window correspondents.

COUNT	DESCRIPTION OF REVISIONS	BY	CHKD	DATE	COUNT	DESCRIPTION OF REVISIONS	BY	CHKD	DATE
△					△				
△					△				
△					△				



CODE NO.	PART NO.	NUMBER OF CONTACTS	A	B
CL547-0032-1-56	MDF7-12D-2.54DSA(56)	12	15.24	12.70
CL547-0354-8-56	MDF7-14D-2.54DSA(56)	14	17.78	15.24
CL547-0363-9-56	MDF7-16D-2.54DSA(56)	16	20.32	17.78
CL547-0033-4-56	MDF7-20D-2.54DSA(56)	20	25.40	22.86
CL547-0246-5-56	MDF7-22D-2.54DSA(56)	22	27.94	25.40
CL547-0244-0-56	MDF7-24D-2.54DSA(56)	24	30.48	27.94
CL547-0247-8-56	MDF7-26D-2.54DSA(56)	26	33.02	30.48
CL547-0016-5-56	MDF7-30D-2.54DSA(56)	30	38.10	35.56
CL547-0227-0-56	MDF7-34D-2.54DSA(56)	34	43.18	40.64
CL547-0228-3-56	MDF7-40D-2.54DSA(56)	40	50.80	48.26
CL547-0229-6-56	MDF7-46D-2.54DSA(56)	46	58.42	55.88
CL547-0060-7-56	MDF7-48D-2.54DSA(56)	48	60.96	58.42

NO.	MATERIAL	FINISH, REMARKS	NO.	MATERIAL	FINISH, REMARKS
1	POLYAMIDE	UL94V-0, BLACK	2	PHOSPHOR BRONZE	CONTACT AREA: GOLD PLATED 0.2 μm min LEAD AREA: TIN PLATED 1 μm min UNDER PLATING: NICKEL 1 μm min

CODE NO. (OLD)	CL	DRAWN	DESIGNED	CHECKED	APPROVED	RELEASED
		M. Nakamoto '04.04.12	H. Imahara '04.04.13	J. Owa '04.04.15	J. Owa '04.04.15	J. Owa '04.04.15

DRAWING NO.	EDC3-162739-11	PART NO.	MDF7-*D-2.54DSA(56)
SCALE	2 : 1	CODE NO.	CL547-
UNITS	MM		

HIROSE ELECTRIC CO., LTD.	CL547-	FORM NO. 229
---------------------------	--------	--------------

TO

## X-ON Electronics

Largest Supplier of Electrical and Electronic Components

*Click to view similar products for [Board to Board & Mezzanine Connectors](#) category:*

*Click to view products by [Hirose](#) manufacturer:*

Other Similar products are found below :

[589158040000018](#) [MDF7C-18P-2.54DSA\(55\)](#) [FCN-230C068-11](#) [FCN-268F012-G/BD](#) [FCN-268F036-G/BD](#) [FCN-268M012-G/0D](#) [FCN-268M024-G/1D](#) [FCN-723J004/1](#) [MIS-048-01-F-D-DP-K](#) [832-10-034-10-001000](#) [FX4C-80S-1.27DSA](#) [FCN-214Q030-G/0](#) [FCN-234P048-G/0](#) [FCN-235D050-G/C](#) [210-93-314-41-105000](#) [2-22603-0](#) [MDF7-40DP-2.54DSA\(55\)](#) [AXG720047](#) [MIT-114-03-F-D-K](#) [55323-1519](#) [DF33-2P-3.3DSA\(24\)](#) [YFT-20-05-H-03-SB-K](#) [503308-3040](#) [026-6203-PDB](#) [027-6203-PDB](#) [069159702701000](#) [10123981-102LF](#) [101A10019X](#) [55650-0588-C](#) [68682-310LF](#) [68684-306](#) [75140-7012](#) [87471-650](#) [YTW-30-07-H-Q-410-140](#) [FCN-268F024-G0D](#) [10124054-515LF](#) [68685-603](#) [8-1616154-3](#) [MIS-019-01-F-D](#) [FCN-268M024-G/3D](#) [FCN-268M036-G/BD](#) [20021832-06016C1LF](#) [KX15-20KLDL-E1000E](#) [AXE810124](#) [FCN-214J100-G/0](#) [FCN-230C068-E/S](#) [AXE812124](#) [AXE816124](#) [AXE720127](#) [354184](#)