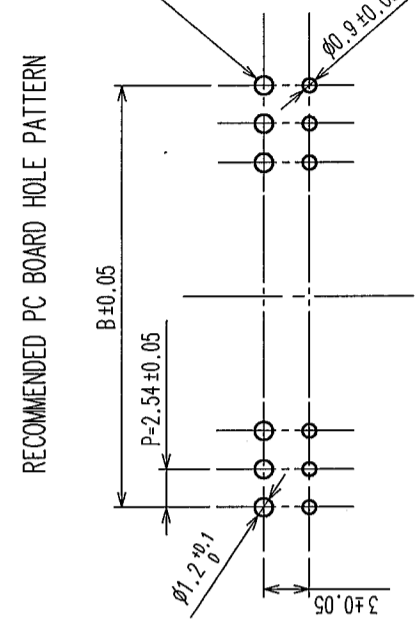
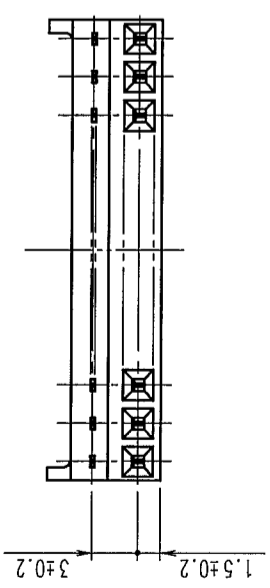
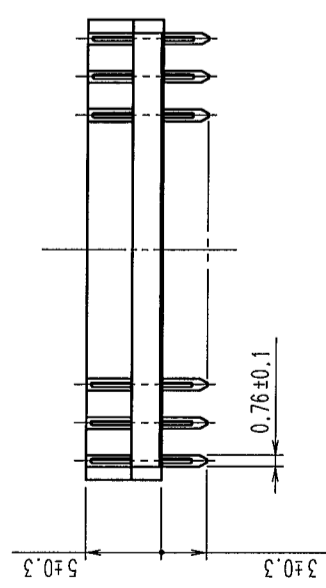
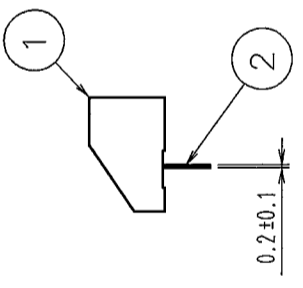
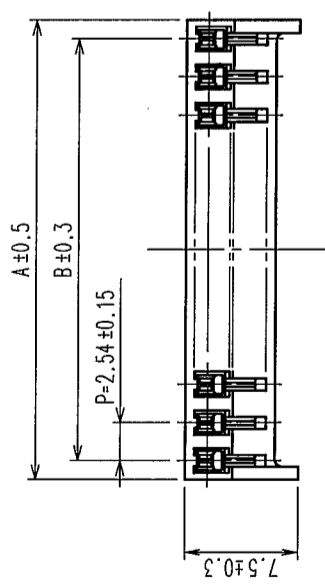


COUNT	DESCRIPTION OF REVISIONS	BY	CHKD	DATE	COUNT	DESCRIPTION OF REVISIONS	BY	CHKD	DATE
△					△				
△					△				
△					△				

CODE NO.	PART NO.	NUMBER OF CONTACTS	A	B
CL547-0355-0-55	MDF7-3S-2.54DSA(55)	3	7.62	5.08
CL547-0112-9-55	MDF7-5S-2.54DSA(55)	5	12.70	10.16
CL547-0129-1-55	MDF7-6S-2.54DSA(55)	6	15.24	12.70
CL547-0135-4-55	MDF7-7S-2.54DSA(55)	7	17.78	15.24
CL547-0136-7-55	MDF7-8S-2.54DSA(55)	8	20.32	17.78
CL547-0137-0-55	MDF7-9S-2.54DSA(55)	9	22.86	20.32
CL547-0038-8-55	MDF7-10S-2.54DSA(55)	10	25.40	22.86
CL547-0138-2-55	MDF7-11S-2.54DSA(55)	11	27.94	25.40
CL547-0040-0-55	MDF7-12S-2.54DSA(55)	12	30.48	27.94
CL547-0139-5-55	MDF7-13S-2.54DSA(55)	13	33.02	30.48
CL547-0140-4-55	MDF7-14S-2.54DSA(55)	14	35.56	33.02
CL547-0012-4-55	MDF7-15S-2.54DSA(55)	15	38.10	35.56
CL547-0141-7-55	MDF7-16S-2.54DSA(55)	16	40.64	38.10
CL547-0142-0-55	MDF7-17S-2.54DSA(55)	17	43.18	40.64
CL547-0013-7-55	MDF7-18S-2.54DSA(55)	18	45.72	43.18
CL547-0143-2-55	MDF7-19S-2.54DSA(55)	19	48.26	45.72
CL547-0051-6-55	MDF7-20S-2.54DSA(55)	20	50.80	48.26
CL547-0144-5-55	MDF7-21S-2.54DSA(55)	21	53.34	50.80
CL547-0145-8-55	MDF7-22S-2.54DSA(55)	22	55.88	53.34
CL547-0146-0-55	MDF7-23S-2.54DSA(55)	23	58.42	55.88
CL547-0147-3-55	MDF7-24S-2.54DSA(55)	24	60.96	58.42
CL547-0014-0-55	MDF7-25S-2.54DSA(55)	25	63.50	60.96



DRAWING FOR REFERENCE

1	POLYAMIDE	UL94V-0, BLACK	2	PHOSPHOR BRONZE	TIN PLATED 2μm min
NO.	MATERIAL	FINISH, REMARKS	NO.	MATERIAL	FINISH, REMARKS
CODE NO. (OLD)	DRAWN		DESIGNED	CHECKED	APPROVED
CL	M. Nakamoto		H. Umehara	T. Goto	T. Goto
	'04.04.12		'04.04.13	'04.04.15	'04.04.15
DRAWING NO.		PART NO.		REMARKS	
EDC3-162738-10		MDF7-*S-2.54DSA(55)			
SCALE	UNITS		CODE NO.		
2 : 1	mm		CL547-		

TO	

X-ON Electronics

Largest Supplier of Electrical and Electronic Components

Click to view similar products for [Board to Board & Mezzanine Connectors](#) category:

Click to view products by [Hirose](#) manufacturer:

Other Similar products are found below :

[589158040000018](#) [MDF7C-18P-2.54DSA\(55\)](#) [FCN-230C068-11](#) [FCN-268F012-G/BD](#) [FCN-268F036-G/BD](#) [FCN-268M012-G/0D](#) [FCN-268M024-G/1D](#) [FCN-723J004/1](#) [MIS-048-01-F-D-DP-K](#) [832-10-034-10-001000](#) [FX4C-80S-1.27DSA](#) [FCN-214Q030-G/0](#) [FCN-234P048-G/0](#) [FCN-235D050-G/C](#) [210-93-314-41-105000](#) [2-22603-0](#) [MDF7-40DP-2.54DSA\(55\)](#) [AXG720047](#) [MIT-114-03-F-D-K](#) [55323-1519](#) [DF33-2P-3.3DSA\(24\)](#) [YFT-20-05-H-03-SB-K](#) [503308-3040](#) [026-6203-PDB](#) [027-6203-PDB](#) [069159702701000](#) [10123981-102LF](#) [101A10019X](#) [55650-0588-C](#) [68682-310LF](#) [68684-306](#) [75140-7012](#) [87471-650](#) [YTW-30-07-H-Q-410-140](#) [FCN-268F024-G0D](#) [10124054-515LF](#) [68685-603](#) [8-1616154-3](#) [MIS-019-01-F-D](#) [FCN-268M024-G/3D](#) [FCN-268M036-G/BD](#) [20021832-06016C1LF](#) [KX15-20KLDL-E1000E](#) [AXE810124](#) [FCN-214J100-G/0](#) [FCN-230C068-E/S](#) [AXE812124](#) [AXE816124](#) [AXE720127](#) [354184](#)