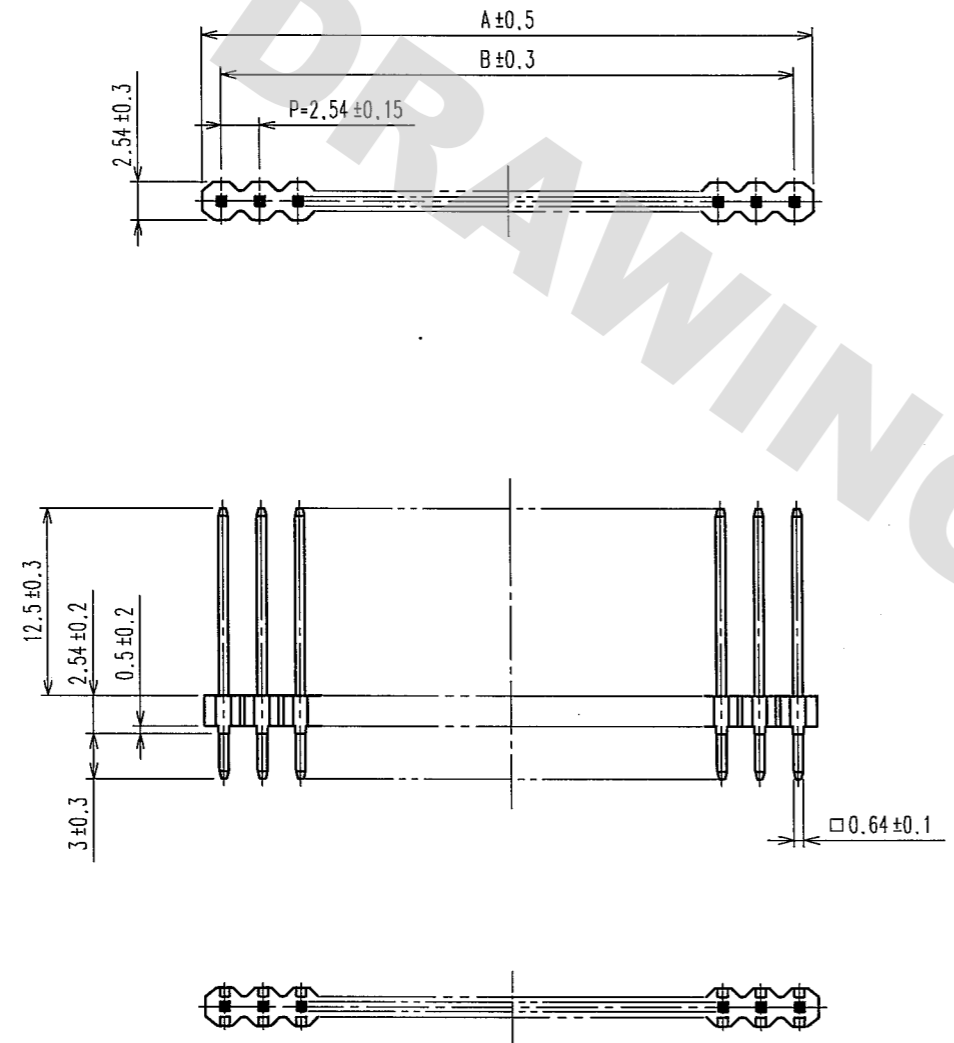


DRAWING FOR REFERENCE: This is subject to change without notice
08/11/2012

COUNT	DESCRIPTION OF REVISIONS	BY	CHKD	DATE	COUNT	DESCRIPTION OF REVISIONS	BY	CHKD	DATE



NOTE RECOMMENDED PC BOARD HOLE DIAMETER $\phi 1^{+0.1}$

CODE NO.	PART NO.	NUMBER OF CONTACTS	A	B
CL547-0462-0-55	MDF7P- 3P-2.54DSA(55)	3	7.62	5.08
CL547-0551-4-55	MDF7P- 5P-2.54DSA(55)	5	12.70	10.16
CL547-0513-0-55	MDF7P- 6P-2.54DSA(55)	6	15.24	12.70
_____	MDF7P- 7P-2.54DSA(55)	7	17.78	15.24
CL547-0514-2-55	MDF7P- 8P-2.54DSA(55)	8	20.32	17.78
_____	MDF7P- 9P-2.54DSA(55)	9	22.86	20.32
CL547-0360-0-55	MDF7P-10P-2.54DSA(55)	10	25.40	22.86
_____	MDF7P-11P-2.54DSA(55)	11	27.94	25.40
CL547-0345-7-55	MDF7P-12P-2.54DSA(55)	12	30.48	27.94
_____	MDF7P-13P-2.54DSA(55)	13	33.02	30.48
_____	MDF7P-14P-2.54DSA(55)	14	35.56	33.02
_____	MDF7P-15P-2.54DSA(55)	15	38.10	35.56
CL547-0346-0-55	MDF7P-16P-2.54DSA(55)	16	40.64	38.10
_____	MDF7P-17P-2.54DSA(55)	17	43.18	40.64
_____	MDF7P-18P-2.54DSA(55)	18	45.72	43.18
CL547-0347-2-55	MDF7P-19P-2.54DSA(55)	19	48.26	45.72
_____	MDF7P-20P-2.54DSA(55)	20	50.80	48.26
_____	MDF7P-21P-2.54DSA(55)	21	53.34	50.80
_____	MDF7P-22P-2.54DSA(55)	22	55.88	53.34
_____	MDF7P-23P-2.54DSA(55)	23	58.42	55.88
_____	MDF7P-24P-2.54DSA(55)	24	60.96	58.42
CL547-0348-5-55	MDF7P-25P-2.54DSA(55)	25	63.50	60.96

1	BRASS	SURFACE: TIN PLATED 1 μ m min UNDER PLATED: NICKEL 0.5 μ m min	2	PBT	UL94V-0, BLACK
NO.	MATERIAL	FINISH, REMARKS	NO.	MATERIAL	FINISH, REMARKS
CODE NO. (OLD) CL		DRAWN M. Nakamoto '04.04.13	DESIGNED H. Umehara '04.04.13	CHECKED T. Ona 04.04.15	APPROVED T. Ona 04.04.15
DRAWING NO. EDC3-162734-10		PART NO. MDF7P-*P-2.54DSA(55)		CODE NO. CL547-	
SCALE 2 : 1		UNITS mm		HRS HIROSE ELECTRIC CO., LTD	

TO

FORM NO. 229

X-ON Electronics

Largest Supplier of Electrical and Electronic Components

Click to view similar products for [Board to Board & Mezzanine Connectors](#) category:

Click to view products by [Hirose](#) manufacturer:

Other Similar products are found below :

[589158040000018](#) [MDF7C-18P-2.54DSA\(55\)](#) [FCN-230C068-11](#) [FCN-268F012-G/BD](#) [FCN-268F036-G/BD](#) [FCN-268M012-G/0D](#) [FCN-268M024-G/1D](#) [FCN-723J004/1](#) [MIS-048-01-F-D-DP-K](#) [832-10-034-10-001000](#) [FX4C-80S-1.27DSA](#) [FCN-214Q030-G/0](#) [FCN-234P048-G/0](#) [FCN-235D050-G/C](#) [210-93-314-41-105000](#) [2-22603-0](#) [MDF7-40DP-2.54DSA\(55\)](#) [AXG720047](#) [MIT-114-03-F-D-K](#) [55323-1519](#) [DF33-2P-3.3DSA\(24\)](#) [YFT-20-05-H-03-SB-K](#) [503308-3040](#) [026-6203-PDB](#) [027-6203-PDB](#) [069159702701000](#) [10123981-102LF](#) [101A10019X](#) [55650-0588-C](#) [68682-310LF](#) [68684-306](#) [75140-7012](#) [87471-650](#) [YTW-30-07-H-Q-410-140](#) [FCN-268F024-G0D](#) [10124054-515LF](#) [68685-603](#) [8-1616154-3](#) [MIS-019-01-F-D](#) [FCN-268M024-G/3D](#) [FCN-268M036-G/BD](#) [20021832-06016C1LF](#) [KX15-20KLDL-E1000E](#) [AXE810124](#) [FCN-214J100-G/0](#) [FCN-230C068-E/S](#) [AXE812124](#) [AXE816124](#) [AXE720127](#) [354184](#)