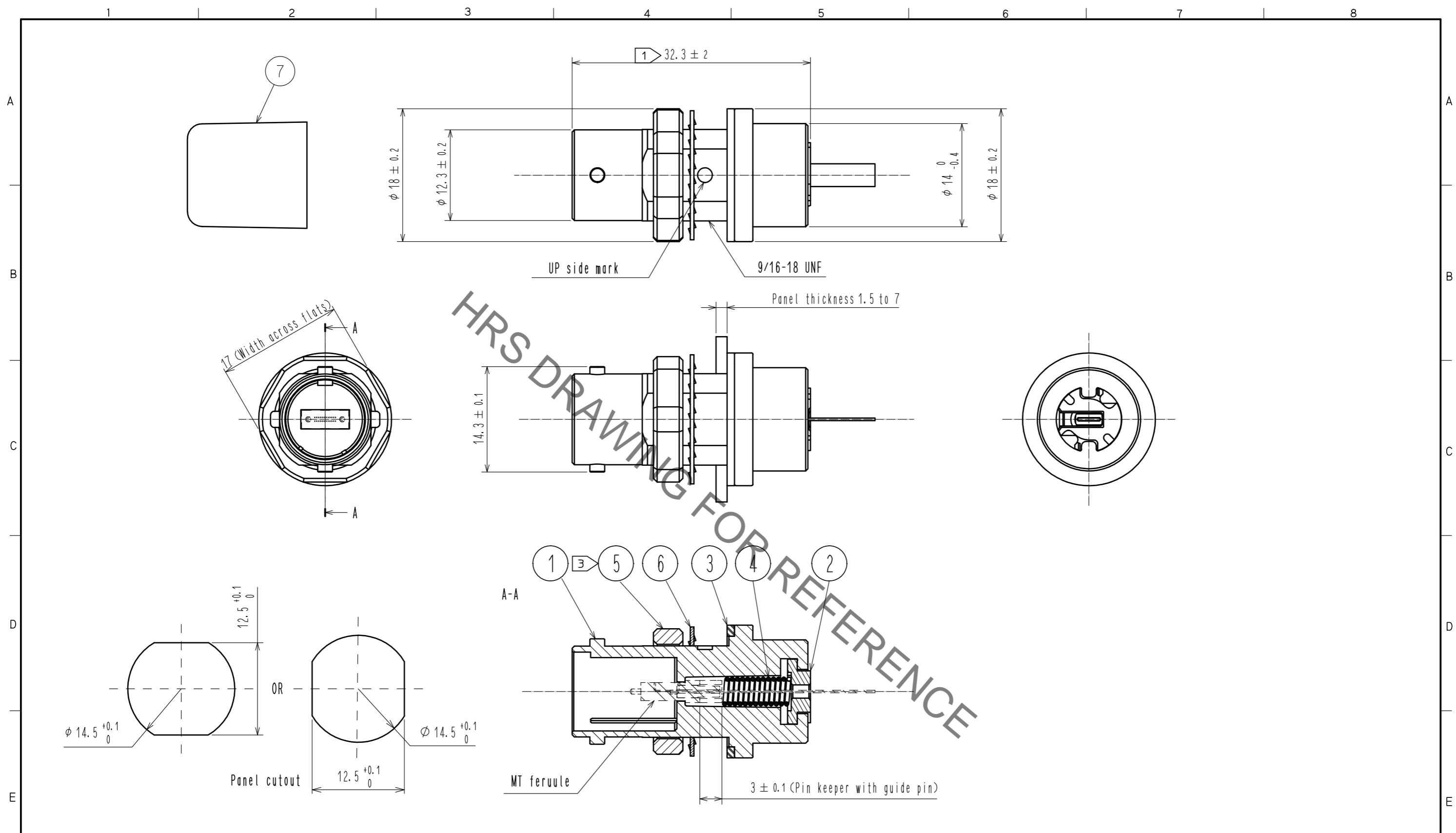


Aug.1.2021 Copyright 2021 HIROSE ELECTRIC CO., LTD. All Rights Reserved.
 In case of consideration for using Automotive equipment / device which demand high reliability, kindly contact our sales window correspondents.



NOTE

- ① These dimensions indicate the condition after cable assembly.
2. MT ferrule and Pin keeper are NOT included in this product.
- ③ The recommended tightening torque of Ref. No. ⑤ to be 2.5 to 3 N·m.
4. Use specific tool to assemble this product.

NO.	MATERIAL	FINISH .	REMARKS	NO.	MATERIAL	FINISH .	REMARKS
4	Stainless Steel		12-ribbon fiber*2 :24 fibers	7	Elastomer		Color : Black
3	Silicone Rubber		Black-Gray	6	Phosphor bronze		Ni Plating
2	Zinc Die Casting		Ni Plating	5	Brass		Ni Plating
1	Zinc Die Casting		Ni Plating				

UNITS	SCALE	COUNT	DESCRIPTION OF REVISIONS	DESIGNED	CHECKED	DATE
mm	2 : 1	1	DIS-K-00001313	TY. SATO	FS. YOSHIDA	17. 12. 14

APPROVED	DATE	DRAWING NO.
MT. SHIBUTANI	15. 09. 09	EDC-179678-00-00
CHECKED	DATE	PART NO.
YY. HIYAMA	15. 09. 09	MF11BMT-WRBB01
DESIGNED	DATE	CODE NO.
TY. SATO	15. 09. 09	CL709-7010-0-00
DRAWN	DATE	
TY. SATO	15. 09. 09	

X-ON Electronics

Largest Supplier of Electrical and Electronic Components

Click to view similar products for [Fibre Optic Connectors](#) category:

Click to view products by [Hirose](#) manufacturer:

Other Similar products are found below :

[0004700001](#) [6100-R](#) [6313](#) [F709722200](#) [F709730000](#) [F718183204](#) [F727403500](#) [F727752800](#) [8119](#) [9440F20-27S-190](#) [944-120-6001](#)
[9441F10SL-3S](#) [9444W28-21S](#) [9444W36-10S](#) [9446W20-16S](#) [953-101-5310-P](#) [954-101-57202B](#) [A0270169](#) [12-9122](#) [12-5702](#) [AX101713](#)
[AX102420](#) [AX103923](#) [AX104024](#) [AX104193](#) [AX104230](#) [AX104562](#) [AX105203-B25](#) [AX105205-S1](#) [EHSC2M](#) [17-300800](#) [181-011-126](#)
[181-011-S](#) [181-057-126](#) [NKSOPBUY](#) [20500002116](#) [2064996-1](#) [20800001065](#) [2170](#) [9132](#) [2612](#) [2620](#) [9291](#) [9440F16-10S](#) [9440F20-18S](#)
[9446F16-10S-190](#) [953-106-50231](#) [953-120-5003](#) [955-120-5110](#) [1757711-1](#)