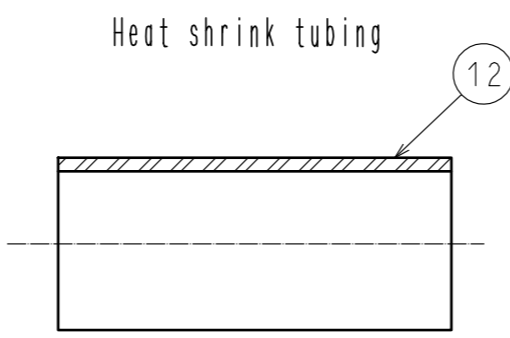
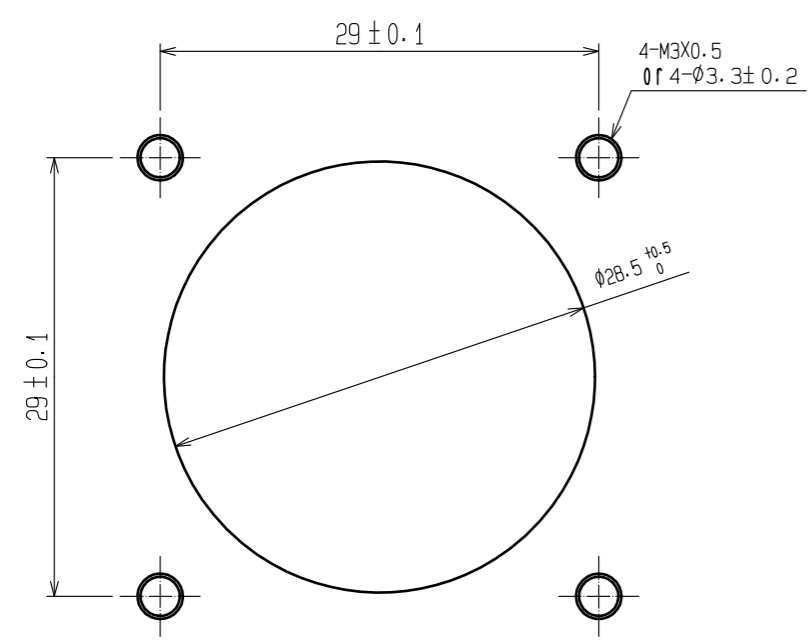
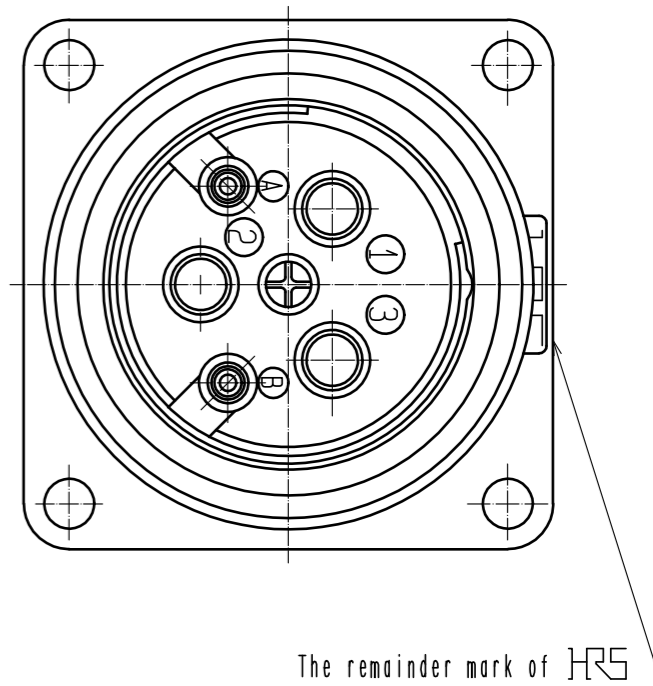
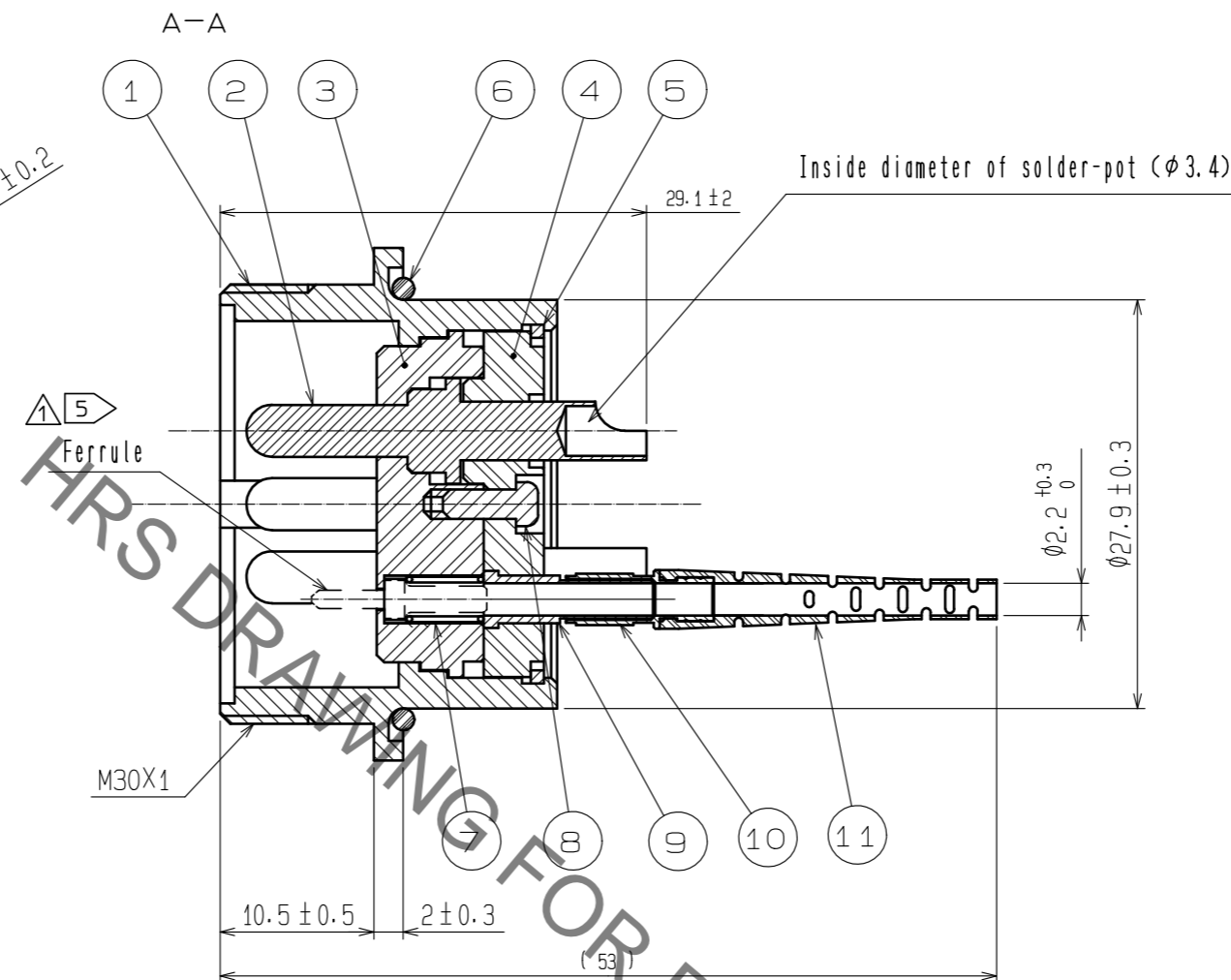
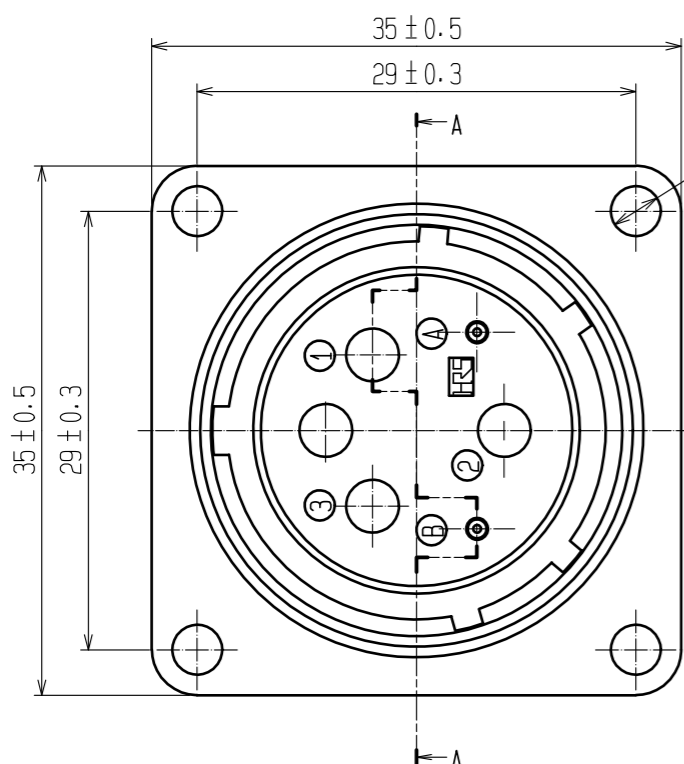


Sep.1.2021 Copyright 2021 HIROSE ELECTRIC CO., LTD. All Rights Reserved.  
In case of consideration for using Automotive equipment / device which demand high reliability, kindly contact our sales window correspondents.



Note 1. This drawing shows the state of temporary assembly.  
 2. The direction of Solder-pot(No.2) is one example.  
 3. A product corresponding to Rohs.  
 4. For assembling procedure, please contact our companies sales section and refer to procedure manual ETAD-K0222-00.  
 5. The Ferrule is not included.  
 Please use the MU ferrule, which is sold separately.

NO.	MATERIAL	FINISH	REMARKS	NO.	MATERIAL	FINISH	REMARKS
6	Silicon rubber	Black		12	Polyolefin	Black	
5	Phosphor bronze	Nickel-plating		11	TPEE	Light purple	
4	PPS	Black		10	Brass	Ni-plating	
3	PPS	Black		9	Brass	Ni-plating	
2	Brass	Ag-plating		8	Steel	Zn-plating	
1	Aluminium	Black Cr-plating		7	Piano wire	Zn-plating	

UNITS mm		SCALE 4 : 1	COUNT 4	DESCRIPTION OF REVISIONS DIS-K-00001733	DESIGNED BENJAMIN RILEY	CHECKED YY.HIYAMA	DATE 20181207
<b>HRS</b> HIROSE ELECTRIC CO., LTD.		APPROVED : HA. OKANO	20080619	DRAWING NO. EDC3-175972-00		PART NO. MF25S-WRF02-0203	
		CHECKED : KS. JOKURA	20080619	CODE NO. CL709-0208-6-00		1/1	
		DESIGNED : YH. MASUZAKI	20080616				
		DRAWN : YH. MASUZAKI	20080616				

## X-ON Electronics

Largest Supplier of Electrical and Electronic Components

*Click to view similar products for [Fibre Optic Connectors](#) category:*

*Click to view products by [Hirose](#) manufacturer:*

Other Similar products are found below :

[0004700001](#) [6100-R](#) [6313](#) [F709722200](#) [F709730000](#) [F718183204](#) [F727403500](#) [F727752800](#) [8119](#) [9440F20-27S-190](#) [944-120-6001](#)  
[9441F10SL-3S](#) [9444W28-21S](#) [9444W36-10S](#) [9446W20-16S](#) [953-101-5310-P](#) [954-101-57202B](#) [A0270169](#) [12-9122](#) [12-5702](#) [AX101713](#)  
[AX102420](#) [AX103923](#) [AX104024](#) [AX104193](#) [AX104230](#) [AX104562](#) [AX105203-B25](#) [AX105205-S1](#) [EHSC2M](#) [17-300800](#) [181-011-126](#)  
[181-011-S](#) [181-057-126](#) [NKSOPBUY](#) [20500002116](#) [2064996-1](#) [20800001065](#) [2170](#) [9132](#) [2612](#) [2620](#) [9291](#) [9440F16-10S](#) [9440F20-18S](#)  
[9446F16-10S-190](#) [953-106-50231](#) [953-120-5003](#) [955-120-5110](#) [1757711-1](#)