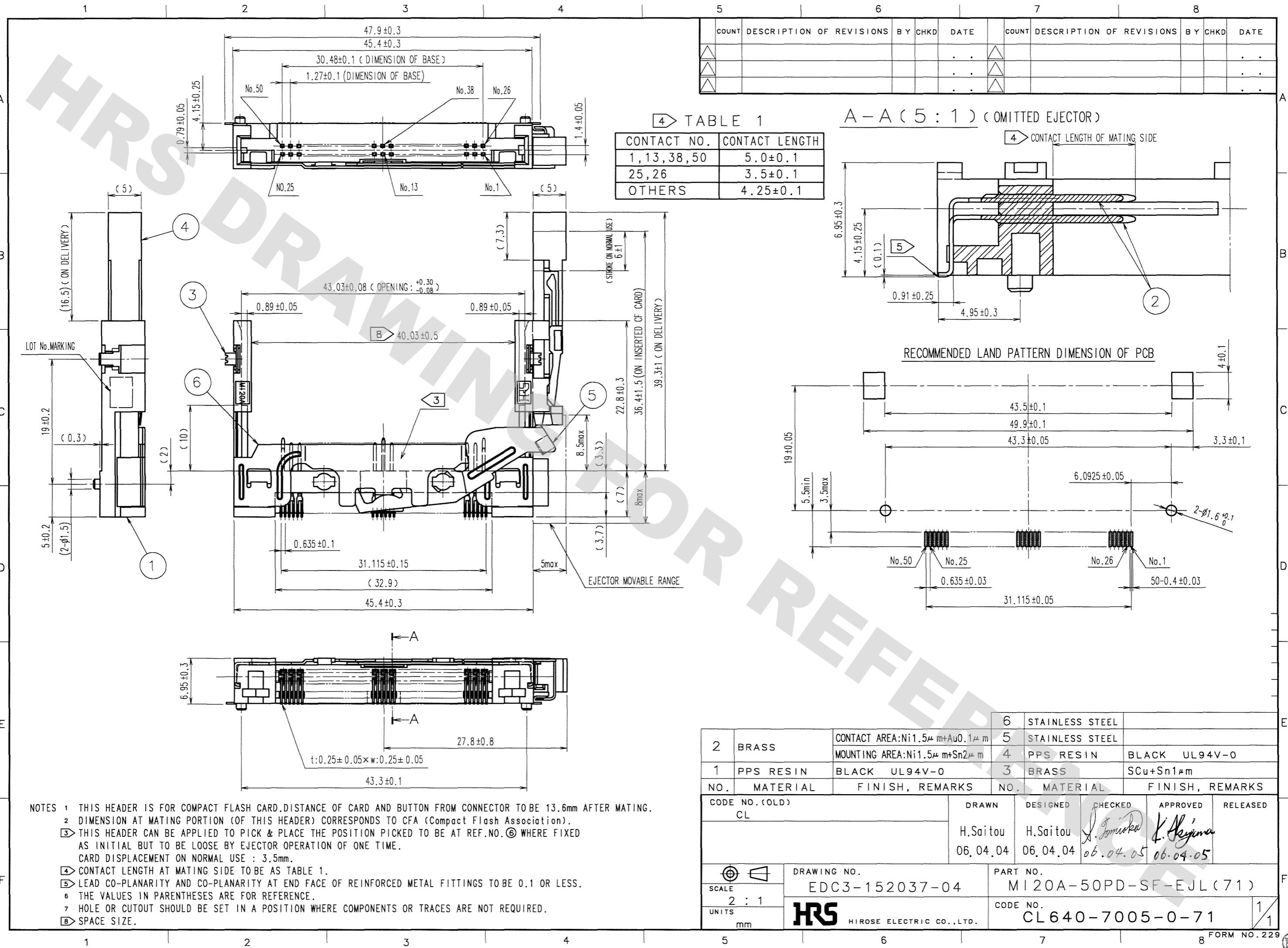


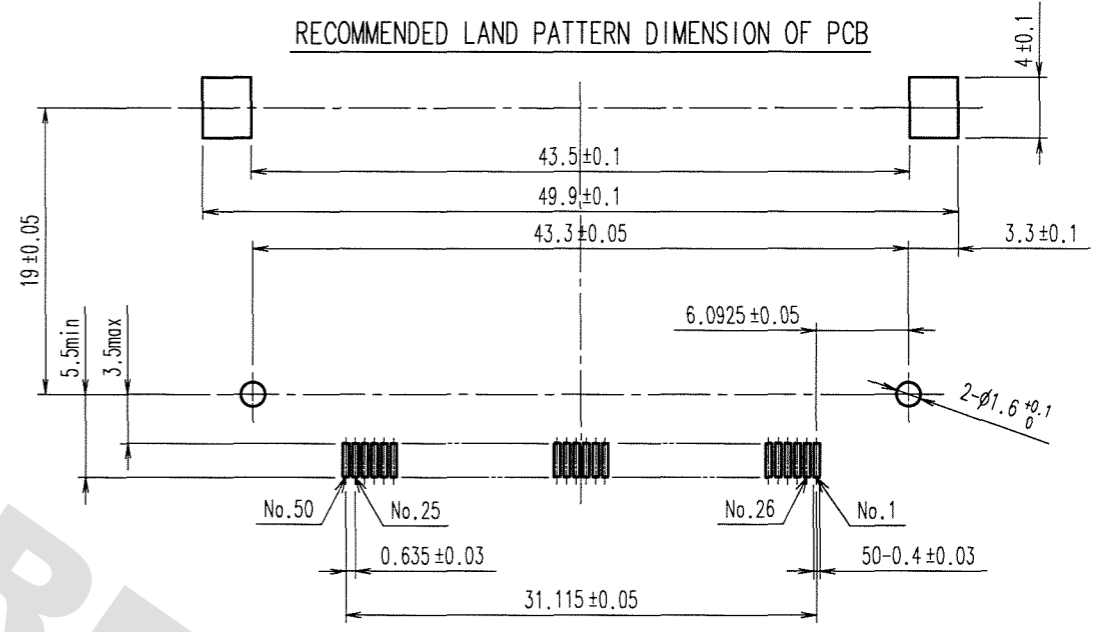
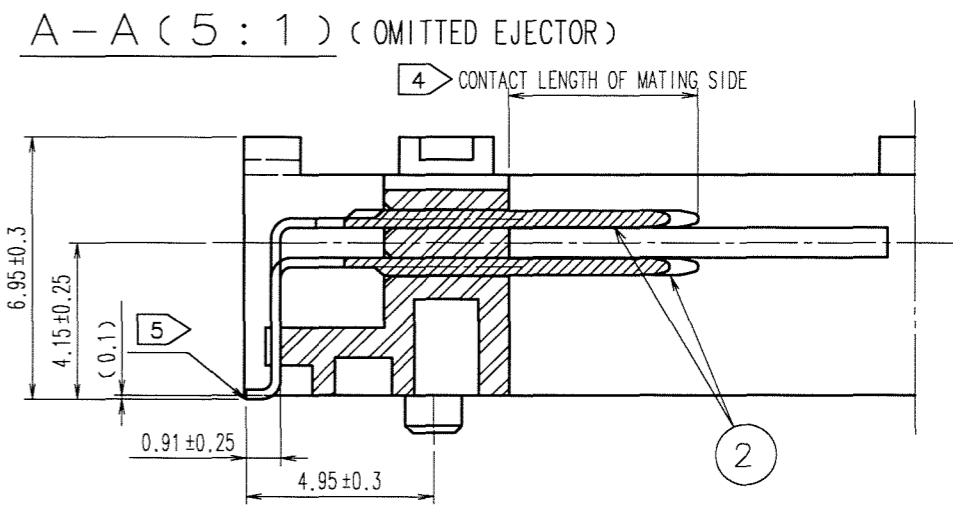
DRAWING FOR REFERENCE: This is subject to change without notice
08/11/2012



COUNT	DESCRIPTION OF REVISIONS	BY	CHKD	DATE	COUNT	DESCRIPTION OF REVISIONS	BY	CHKD	DATE
△					△				
△					△				
△					△				

TABLE 1

CONTACT NO.	CONTACT LENGTH
1, 13, 38, 50	5.0±0.1
25, 26	3.5±0.1
OTHERS	4.25±0.1



2	BRASS	CONTACT AREA: Ni1.5μm+Au0.1μm	5	STAINLESS STEEL	
1	PPS RESIN	BLACK UL94V-0	4	PPS RESIN	BLACK UL94V-0
			3	BRASS	SCu+Sn1μm
NO.	MATERIAL	FINISH, REMARKS	NO.	MATERIAL	FINISH, REMARKS

CODE NO. (OLD)	DRAWN	DESIGNED	CHECKED	APPROVED	RELEASED
CL	H.Saitou 06.04.04	H.Saitou 06.04.04	J. Tomisaka 06.04.05	K. Hayama 06.04.05	

SCALE	DRAWING NO.	PART NO.
2 : 1	EDC3-152037-04	M120A-50PD-SF-EJL(71)
UNITS	HRS	CODE NO.
mm	HIROSE ELECTRIC CO., LTD.	CL640-7005-0-71

- NOTES
- THIS HEADER IS FOR COMPACT FLASH CARD. DISTANCE OF CARD AND BUTTON FROM CONNECTOR TO BE 13.6mm AFTER MATING.
 - DIMENSION AT MATING PORTION (OF THIS HEADER) CORRESPONDS TO CFA (Compact Flash Association).
 - THIS HEADER CAN BE APPLIED TO PICK & PLACE THE POSITION PICKED TO BE AT REF. NO. ⑥ WHERE FIXED AS INITIAL BUT TO BE LOOSE BY EJECTOR OPERATION OF ONE TIME.
CARD DISPLACEMENT ON NORMAL USE : 3.5mm.
 - CONTACT LENGTH AT MATING SIDE TO BE AS TABLE 1.
 - LEAD CO-PLANARITY AND CO-PLANARITY AT END FACE OF REINFORCED METAL FITTINGS TO BE 0.1 OR LESS.
 - THE VALUES IN PARENTHESES ARE FOR REFERENCE.
 - HOLE OR CUTOUT SHOULD BE SET IN A POSITION WHERE COMPONENTS OR TRACES ARE NOT REQUIRED.
 - SPACE SIZE.

TO
PCK

X-ON Electronics

Largest Supplier of Electrical and Electronic Components

Click to view similar products for [Memory Card Connectors](#) category:

Click to view products by [Hirose](#) manufacturer:

Other Similar products are found below :

[M21-033321-005](#) [6407-249V-25273P](#) [6407-249V-25343P](#) [6426-201-21343](#) [69.920.0553.0](#) [FCN-568P068-G/07-4V](#) [809180410000000](#)
[N7E50-7516PG-20-WF](#) [2041353-2](#) [33CFAE-DN](#) [502431-1011](#) [EN2997S61212BN](#) [EN2997SE61212BN](#) [617230001](#) [95622-003LF](#) [N7E50-](#)
[U516RB-50-SIN0005](#) [95079-00CALF](#) [33DVIR-29S12R](#) [125A-78C00](#) [MI20A-50PD-SF-EJL\(71\)](#) [KP10S-SF-PEJ\(812\)](#) [504536-0691](#) [504580-](#)
[0691](#) [CCM03-3109 B LFT](#) [MI21-50PD-SF\(91\)](#) [2309923-1](#) [61126-050CAHLF](#) [IC1GA-68PD-1.27DS-EJ\(72\)](#) [GTFP08432B1HR](#)
[G85DT17001P1EU](#) [G85B21611142HHR](#) [GSD090144HR](#) [G85D1140022P1HR](#) [GMCB05801124EU](#) [G85C11101152HHR](#)
[G85B231021B1HR](#) [G85D1160022HHR](#) [055036006202862+](#) [112K-TAA0-RA1](#) [115S-ACA2](#) [115S-ACA3](#) [115S-BS00](#) [115S-BT00](#) [115V-](#)
[AD00](#) [MCSP-Q1-08-A-SG-T/R](#) [503960-0695](#) [101B-TAA0-R](#) [101D-TAAA-R01](#) [101D-TAAB-R01](#) [104D-TCA0-R06](#)