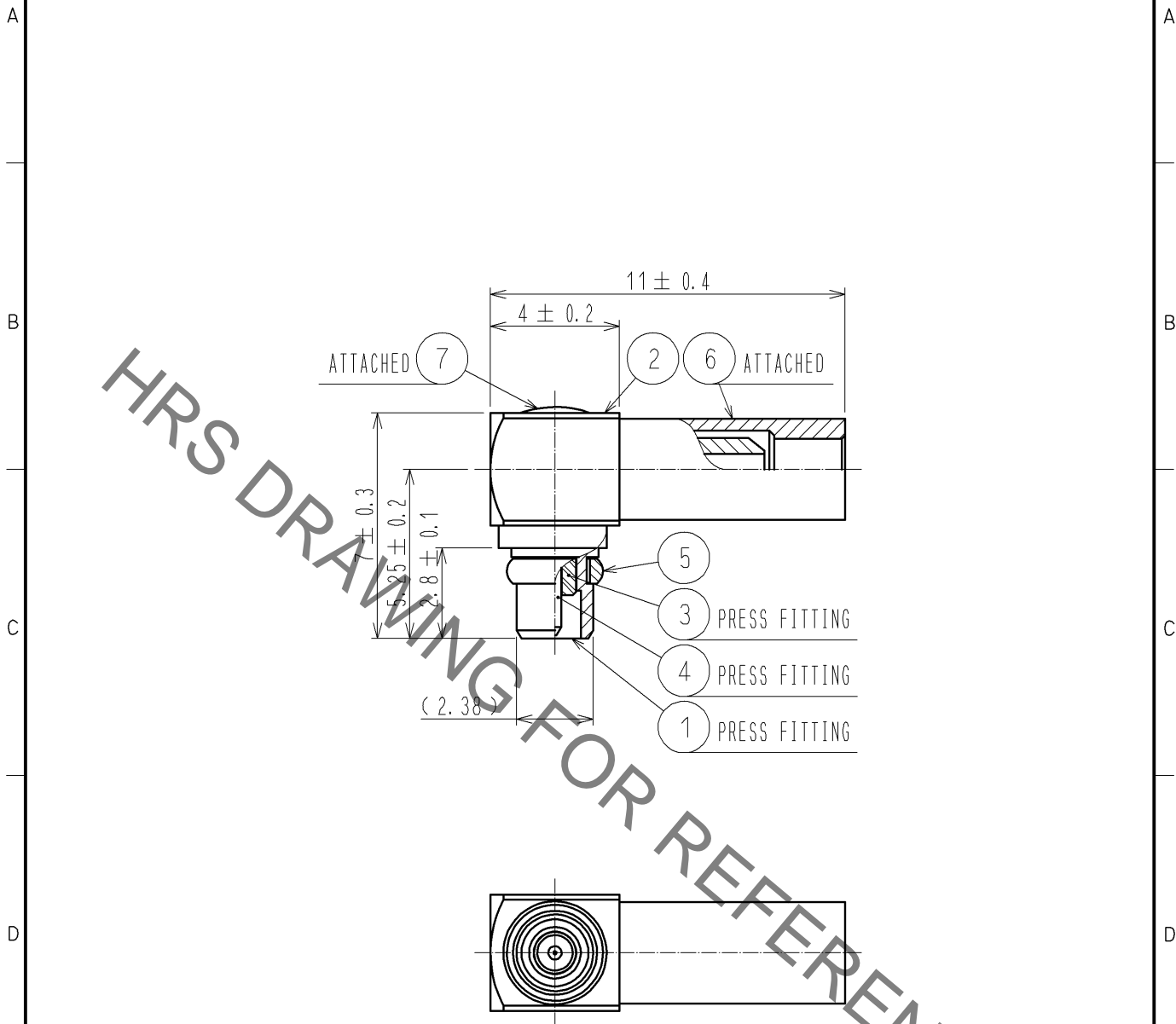


Sep.1.2021 Copyright 2021 HIROSE ELECTRIC CO., LTD. All Rights Reserved.  
 In case of consideration for using Automotive equipment / device which demand high reliability, kindly contact our sales window correspondents.

ASSEMBLE TOOL APPLICABLE OUTER CONDUCTOR CRIMPING TOOL : HT103/MRF01-J-178  
 TOOL FOR PRESS FITTING OF DISK : MMCX-LP/PR-MP



HRS DRAWING FOR REFERENCE

RoHS COMPLIANT

4	PHOSPHOR BRONZE	GOLD PLATING					
3	PTFE		7	BRASS	GOLD PLATING		
2	BRASS	GOLD PLATING	6	COPPER	GOLD PLATING		
1	BRASS	GOLD PLATING	5	BERYLLIUM COPPER	GOLD PLATING		
NO.	MATERIAL	FINISH	REMARKS	NO.	MATERIAL	FINISH	REMARKS

UNITS mm		SCALE 5 : 1	COUNT 	DESCRIPTION OF REVISIONS	DESIGNED	CHECKED	DATE
-------------	--	----------------	-----------	--------------------------	----------	---------	------

<b>HRS</b> HIROSE ELECTRIC CO., LTD.	APPROVED : MH. YAMANE	10. 10. 27	DRAWING NO.	EDC4-303198-40
	CHECKED : TS. NOBE	10. 10. 27	PART NO.	MMCX-LP-088(40)
	DESIGNED : NK. OOSAWA	10. 10. 26	CODE NO.	CL339-0020-1-40
	DRAWN : NK. OOSAWA	10. 10. 26		1/1

## X-ON Electronics

Largest Supplier of Electrical and Electronic Components

*Click to view similar products for [RF Connectors / Coaxial Connectors](#) category:*

*Click to view products by [Hirose](#) manufacturer:*

Other Similar products are found below :

[8915-1511-000](#) [89674-0827](#) [6001-7071-019](#) [6002-7051-003](#) [6002-7551-202](#) [6059674-1](#) [619550-1](#) [630059-000](#) [M39030/3-01N](#) [6500-7071-046](#) [6769](#) [CX050L2AQ](#) [7002-1542-011](#) [7004-1512-000](#) [7009-1511-004](#) [7010-1511-000](#) [7029-1511-060](#) [7101-1541-010](#) [7101-1571-002](#) [7105-1521-002](#) [7145-1521-002](#) [7203-1571-003](#) [7209-1511-011](#) [7210-1511-015](#) [7210-1511-019](#) [73137-5015](#) [73216-2241](#) [7325-1512-000](#) [73404-2300](#) [7405-1521-005](#) [7405-1521-802](#) [7406-1521-005](#) [8527](#) [8547](#) [FS11V](#) [8808-1511-001](#) [9049-9513-000](#) [9074-9513-000](#) [9101-9573-002](#) [910A205F](#) [9130-9573-002](#) [PL11SC-026](#) [PL375-33](#) [PL40-5](#) [PL71-9](#) [PL74C-221](#) [PL75MC-217](#) [PL803-7](#) [980-8666-005](#) [1200690078](#)