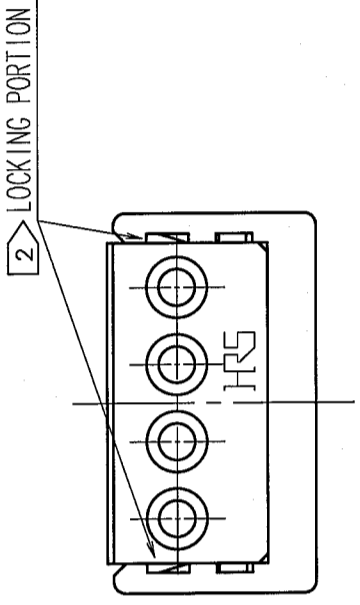
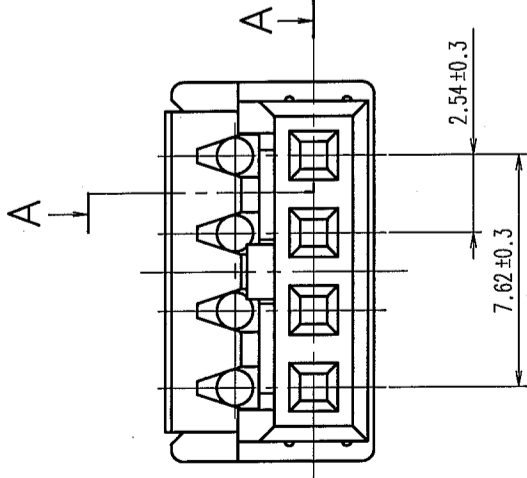
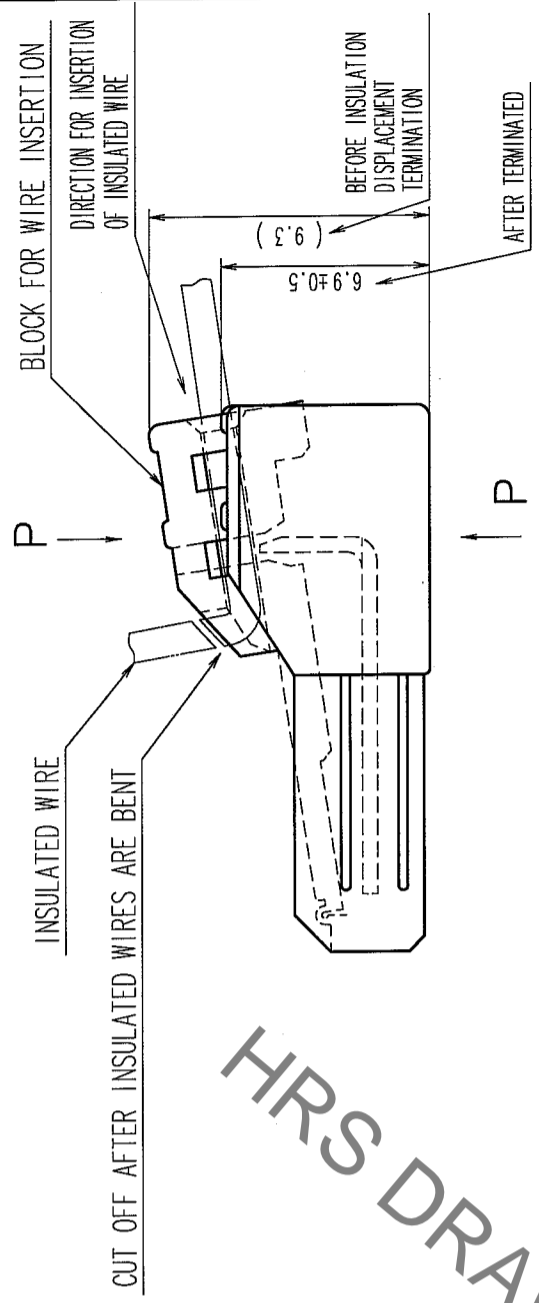
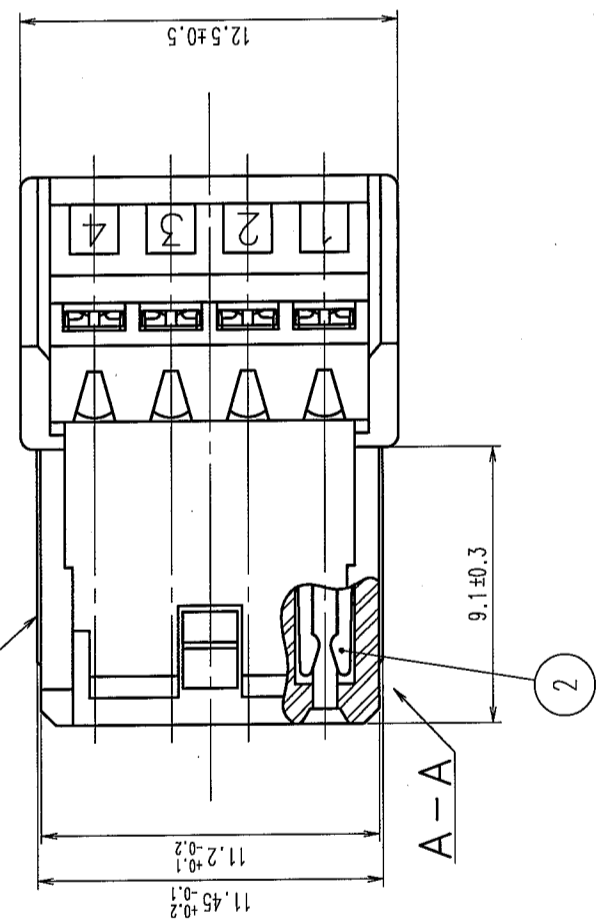
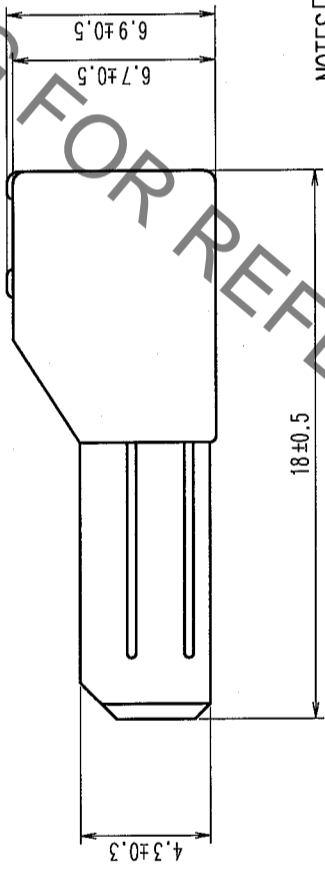


COUNT	DESCRIPTION OF REVISIONS	BY	CHKD	DATE	COUNT	DESCRIPTION OF REVISIONS	BY	CHKD	DATE
△									
△									
△									

1 > FIG.1 CABLE ASSEMBLY



2 > LOCKING PORTION



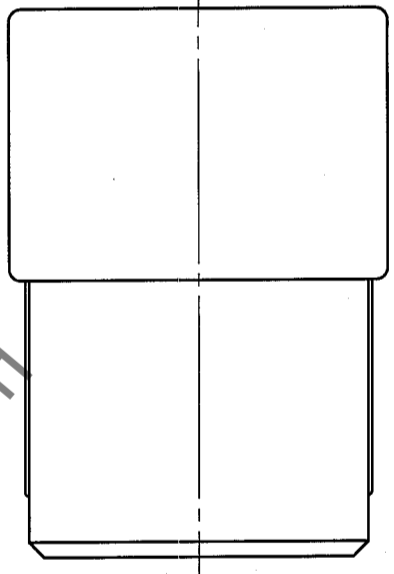
3 > TABLE -1
 THE APPLICABLE WIRE

APPLICABLE WIRE	
CONDUCTOR DIAMETER	JACKET DIAMETER
φ 0.4	φ 0.66
φ 0.5	φ 0.8
φ 0.65	φ 1.05

NOTES 1 > WHEN THIS PRODUCT ARE DELIVERD, BLOCK FOR WIRE INSERTION TO BE TEMPORARILY POSITIONED (UNLOCKED) SHOWN AS FIG.1.

2 > THE TERMINATION METHOD SHALL CONFOR TO FIG.1 TO BEGIN WITH INSERT WIRES TO GO THROUGH AND BEND WIRES. AFTER THAT CUT OFF INSULATED WIRES WITH NIPPER. AND CRAMP IT WITH PLIERS IN THE 'P'DIRECTION, SHOWN AS FIG.1. (PLEASE MAKE SURE LOCKING PORTION ARE LOCKED.)

3 > THE APPLICABLE WIRE IS SHOWN IN TABLE-1.



NO.	MATERIAL	FINISH, REMARKS	NO.	MATERIAL	FINISH, REMARKS
1	POLYAMIDE	BLACK UL94V-0	2	PHOSPHOR BRONZE	TIN-COPPER PLATING 3μm OVER NICKEL PLATING 2μm

CODE NO. (OLD)	DRAWN	DESIGNED	CHECKED	APPROVED	RELEASED
CL	<i>J. Watanabe</i>	<i>T. Watanabe</i>	<i>H. Minato</i>	<i>H. Minato</i>	
	05.09.27	05.09.27	05.09.27	05.09.27	

DRAWING NO.	PART NO.
EDC3-041062-01	MQ115-4S-1A(21)

SCALE	UNITS	CODE NO.
4 : 1	mm	CL206-5131-0-21

TO	
Q	

X-ON Electronics

Largest Supplier of Electrical and Electronic Components

Click to view similar products for [Headers & Wire Housings](#) category:

Click to view products by [Hirose](#) manufacturer:

Other Similar products are found below :

[892-18-020-10-001101](#) [58102-G61-06LF](#) [582553-1](#) [0009485154](#) [009176003701906](#) [0050291907](#) [LY20-4P-DT1-P1E-BR](#) [02.125.8002.8](#)
[609-3404](#) [61062-3](#) [622-0430](#) [622-3653LF](#) [63453-116](#) [636-1030](#) [636-1427](#) [636-3427](#) [636-4007](#) [641938-9](#) [641991-4](#) [644827-2](#) [65817-010LF](#)
[65817-015LF](#) [65863-015LF](#) [66207-023LF](#) [67095-007LF](#) [67601157](#) [68648-049](#) [70.362.1628.0](#) [70-4210](#) [70-4226B](#) [70-4853B](#) [707-5020](#) [707-5028](#) [71.350.2428.0](#) [71918-208LF](#) [71961-016LF](#) [733-134](#) [733-162](#) [754199-000](#) [760-3052](#) [787-8014-00](#) [79531-3000](#) [FCN-360C032-B](#) [FCN-367T-T012/H](#) [FCN-723D010/2](#) [80.063.4001.1](#) [800-90-001-10-001000](#) [800-90-010-10-002000](#) [801-43-002-10-013000](#) [801-43-006-10-002000](#)