

DRAWING FOR REFERENCE: This is subject to change without notice
08/11/2012

HRS

DRAWING FOR REFERENCE

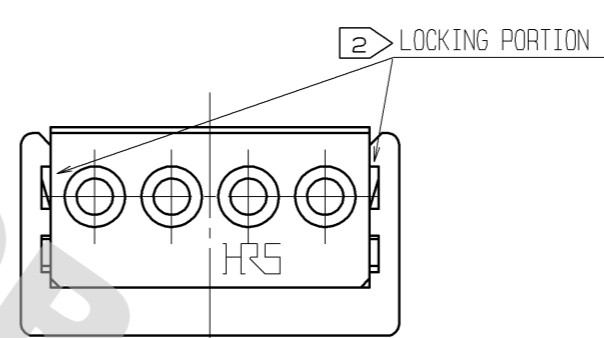
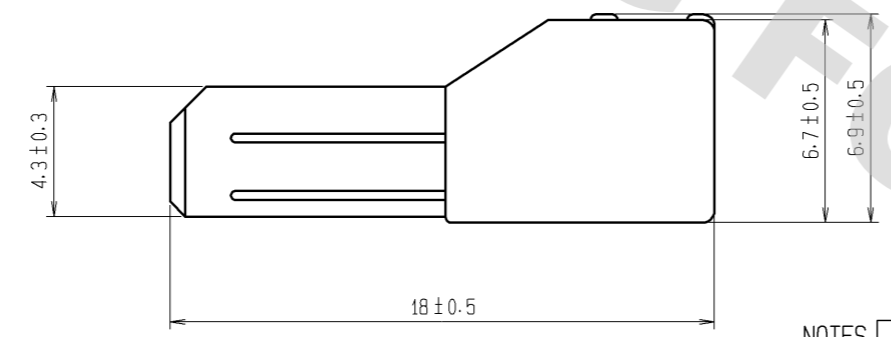
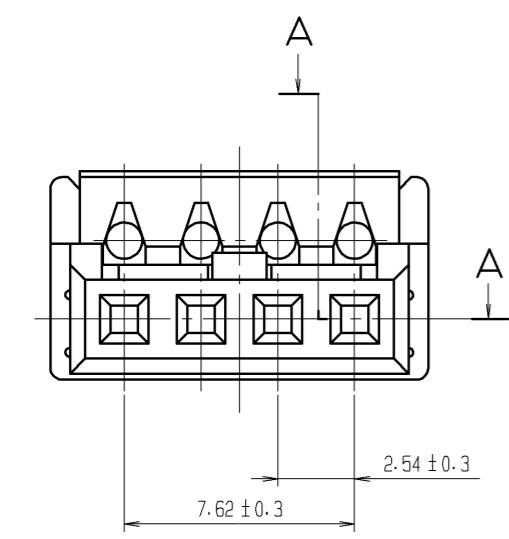
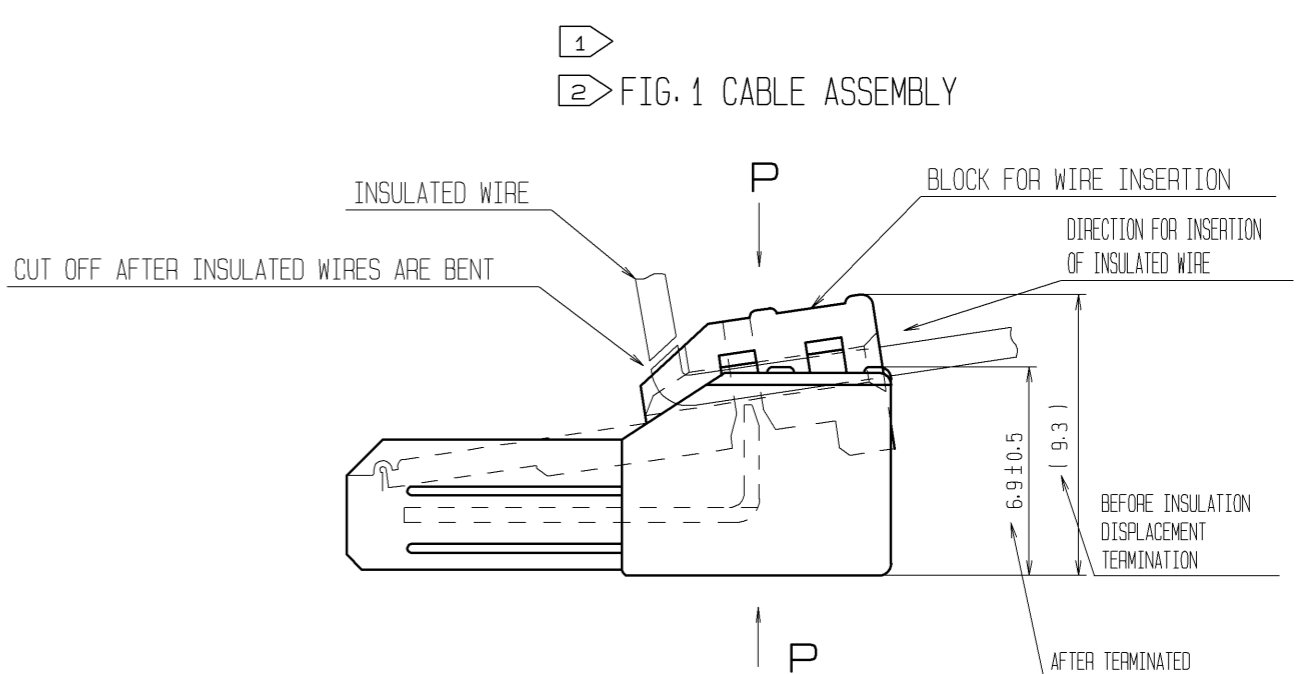
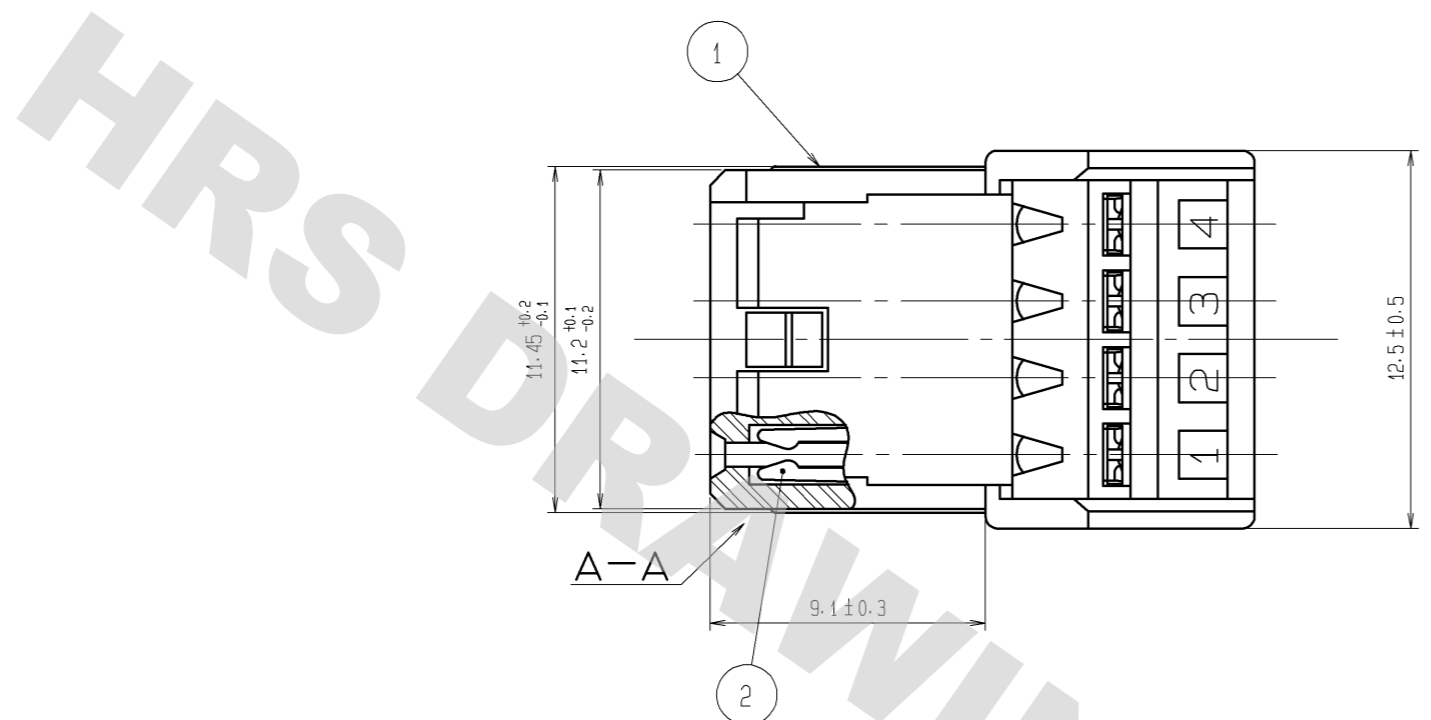
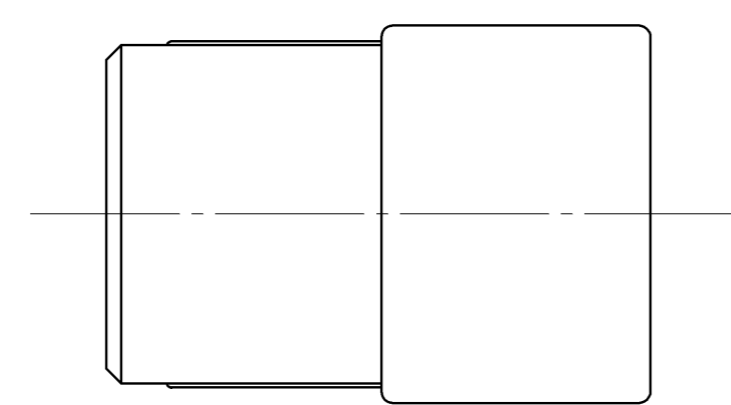


TABLE -1
THE APPLICABLE WIRE

APPLICABLE WIRE	
CONDUCTOR DIAMETER	JACKET DIAMETER
∅0.4	∅0.66
∅0.5	∅0.8
∅0.65	∅1.05

NOTES

- 1) WHEN THIS PRODUCT ARE DELIVERD, BLOCK FOR WIRE INSERTION TO BE TEMPORARILY POSITIONED (UNLOCKED) SHOWN AS FIG.1.
- 2) THE TERMINATION METHOD SHALL CONFORM TO FIG.1 TO BEGIN WITH INSERT WIRES TO GO THROUGH AND BEND WIRES. AFTER THAT CUT OFF INSULATED WIRES WITH NIPPER, AND CRAMP IT WITH PLIERS IN THE "P" DIRECTION, SHOWN AS FIG.1. (PLEASE MAKE SURE LOCKING PORTION ARE LOCKED.)
- 3) THE APPLICABLE WIRE IS SHOWN IN TABLE-1.



1	POLYAMIDE	BLUE UL94V-0	2	PHOSPHOR BRONZE	TIN-COPPER PLATING 3μm OVER NICKEL PLATING 2μm
NO.	MATERIAL	FINISH . REMARKS	NO.	MATERIAL	FINISH . REMARKS
UNITS mm		SCALE 4 : 1	COUNT 	DESCRIPTION OF REVISIONS	DESIGNED
		APPROVED : HO. MIWA	06. 12. 05	DRAWING NO.	EDC3-041062-02
HIROSE ELECTRIC CO., LTD.		CHECED : YH. ENAMI	06. 12. 05	PART NO.	MQ115-4S-1A(22)
		DESIGNED : TS. ITO	06. 12. 05	CODE NO.	CL206-5131-0-22
		DRAWN : TS. ITO	06. 12. 05		

X-ON Electronics

Largest Supplier of Electrical and Electronic Components

Click to view similar products for [Headers & Wire Housings](#) category:

Click to view products by [Hirose](#) manufacturer:

Other Similar products are found below :

[892-18-020-10-001101](#) [58102-G61-06LF](#) [582553-1](#) [0009485154](#) [009176003701906](#) [0050291907](#) [LY20-4P-DT1-P1E-BR](#) [02.125.8002.8](#)
[609-3404](#) [61062-3](#) [622-0430](#) [622-3653LF](#) [63453-116](#) [636-1030](#) [636-1427](#) [636-3427](#) [636-4007](#) [641938-9](#) [641991-4](#) [644827-2](#) [65817-010LF](#)
[65817-015LF](#) [65863-015LF](#) [66207-023LF](#) [67095-007LF](#) [67601157](#) [68648-049](#) [70.362.1628.0](#) [70-4210](#) [70-4226B](#) [70-4853B](#) [707-5020](#) [707-](#)
[5028](#) [71.350.2428.0](#) [71918-208LF](#) [71961-016LF](#) [733-134](#) [733-162](#) [754199-000](#) [760-3052](#) [787-8014-00](#) [79531-3000](#) [FCN-360C032-B](#) [FCN-](#)
[367T-T012/H](#) [FCN-723D010/2](#) [80.063.4001.1](#) [800-90-001-10-001000](#) [800-90-010-10-002000](#) [801-43-002-10-013000](#) [801-43-006-10-002000](#)