

2008/05/02 02:25:39 CAROL TRIBBLE

DRAWING FOR REFERENCE: This is subject to change without notice

COUNT	DESCRIPTION OF REVISIONS	BY	CHKD	DATE	COUNT	DESCRIPTION OF REVISIONS	BY	CHKD	DATE
△					△				
△					△				
APPLICABLE STANDARD		EIAJ RC-5240							
RATING	OPERATING TEMPERATURE RANGE	-40 °C TO +85 °C			STORAGE TEMPERATURE RANGE	-40 °C TO +85 °C			
	VOLTAGE	AC 50V			OPERATING HUMIDITY RANGE	5 % TO 85 %			
	CURRENT	0.3 A			APPLICABLE CABLE	-			
SPECIFICATIONS									
ITEM		TEST METHOD			REQUIREMENTS			QT	AT
CONSTRUCTION									
GENERAL EXAMINATION		VISUALLY AND BY MEASURING INSTRUMENT.			ACCORDING TO DRAWING.			○	○
MARKING		CONFIRMED VISUALLY.						○	○
ELECTRIC CHARACTERISTICS									
CONTACT RESISTANCE		100 mA (DC OR 1000 Hz).			50 mΩ MAX.			○	-
INSULATION RESISTANCE		250 V DC.			100 MΩ MIN.			○	-
VOLTAGE PROOF		250 V AC FOR 1 min.			NO FLASHOVER OR BREAKDOWN.			○	○
MECHANICAL CHARACTERISTICS									
INSERTION AND WITHDRAWAL FORCES		MEASURED BY APPLICABLE CONNECTOR.			INSERTION FORCE 24.5 N MAX. WITHDRAWAL FORCE 2.5 N MIN.			○	-
MECHANICAL OPERATION		10000 TIMES INSERTIONS AND EXTRACTIONS.			① CONTACT RESISTANCE : 100 mΩ MAX. ② INSERTION FORCE 24.5 N MAX. WITHDRAWAL FORCE 1.9 N MIN. ③ NO DAMAGE, CRACK AND LOOSENESS, OF PARTS.			○	-
VIBRATION		FREQUENCY 10 TO 55 Hz, SINGLE AMPLITUDE 0.75 mm, AT 2 h, FOR 3 DIRECTIONS, TOTAL 6 h.			① NO ELECTRICAL DISCONTINUITY OF 1 μs. ② NO DAMAGE, CRACK AND LOOSENESS, OF PARTS.			○	-
SHOCK		490 m/s ² DIRECTIONS OF PULSE 11 ms AT 3 TIMES FOR 6 DIRECTIONS, TOTAL 18 TIMES.						○	-
ENVIRONMENTAL CHARACTERISTICS									
RAPID CHANGE OF TEMPERATURE		TEMPERATURE -40 → 25 → 85 → 25 °C TIME 30 → 2 TO 3 → 30 → 2 TO 3 min UNDER 5 CYCLES.			① CONTACT RESISTANCE : 100 mΩ MAX. ② NO DAMAGE, CRACK AND LOOSENESS, OF PARTS.			○	-
DAMP HEAT (STEADY STATE)		EXPOSED AT 40±2 °C, 90~95 %, 96 h (FOR 4 DAYS).			① CONTACT RESISTANCE : 100 mΩ MAX. ② INSULATION RESISTANCE : 10 MΩ MIN. ③ NO FLASHOVER OR BREAKDOWN. ④ NO DAMAGE, CRACK AND LOOSENESS, OF PARTS.			○	-
DRY HEAT		EXPOSED AT +85±2 °C, 96±4 h.			① CONTACT RESISTANCE : 100 mΩ MAX. ② NO DAMAGE, CRACK AND LOOSENESS, OF PARTS.			○	-
COLD		EXPOSED AT -40±3 °C, 96±4 h.			① CONTACT RESISTANCE : 100 mΩ MAX. ② NO DAMAGE, CRACK AND LOOSENESS, OF PARTS.			○	-
CORROSION SALT MIST		EXPOSED IN 5±1 % SALT WATER, 35±3 °C FOR 48 ±4 h.			① CONTACT RESISTANCE : 100 mΩ MAX. ② NO HEAVY CORROSION.			○	-
REMARKS					DRAWN	DESIGNED	CHECKED	APPROVED	RELEASED
Unless otherwise specified, refer to JIS C 5402.					M. Shimogawa 04.2.27	M. Shimogawa 04.2.27	H. Nakamura 04.3.1	 04.3.2	
Note QT:Qualification Test AT:Assurance Test ○:Applicable Test									
HRS HIROSE ELECTRIC CO., LTD.					SPECIFICATION SHEET			PART NO. MQ212-10P	
CODE NO.(OLD) CL			DRAWING NO. ELC4-124599			CODE NO. CL206-2446-5			1/2

DRAWING FOR REFERENCE: This is subject to change without notice

TO
□
□
□

SPECIFICATIONS						
ITEM	TEST METHOD	REQUIREMENTS	QT	AT		
SOLDERBILITY	SOLERRING POINT OF CONTACTS IMMERSION IN SOLDER BATH OF 350±5℃,2±0.5 sec.	SOLDERING POINT OF CONTACTS IMMERSION IN SOLDER,90% MIN.	○	—		
RESISTANCE TO SOLDERING HEAT	MOLTEN-SDDER TEMPERATURE:260±5℃. IMMERSION FURABILITY PER LOCATION:2± 1 sec.	NO DAMAGE, CRACK AND LOOSENESS, OF PARTS.	○	—		
REMARKS		DRAWN	DESIGNED	CHECKED	APPROVED	RELEASED
Unless otherwise specified, refer to JIS C 5402.		<i>M. Shimogawa</i> 04.2.27	<i>M. Shimogawa</i> 04.2.27	<i>H. Ishikawa</i> 04.3.1	<i>[Signature]</i> 04.3.2	
Note QT:Qualification Test AT:Assurance Test ○:Applicable Test						
HRS HIROSE ELECTRIC CO., LTD.		SPECIFICATION SHEET		PART NO. MQ212-10P		
CODE NO.(OLD) CL	DRAWING NO. ELC4-124599	CODE NO. CL206-2446-5		2/2		

1 2 3 4 5 6 7 8

A B C D E F

COUNT	DESCRIPTION OF REVISIONS	BY	CHKD	DATE	COUNT	DESCRIPTION OF REVISIONS	BY	CHKD	DATE
△				..	△				..
△				..	△				..
△				..	△				..

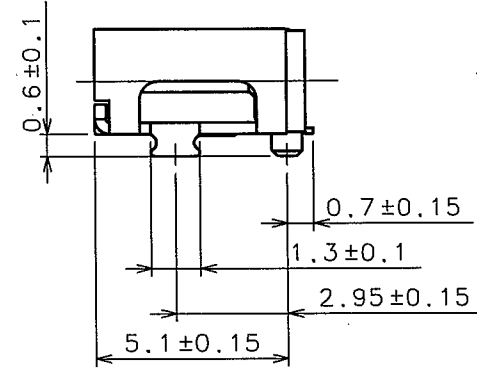
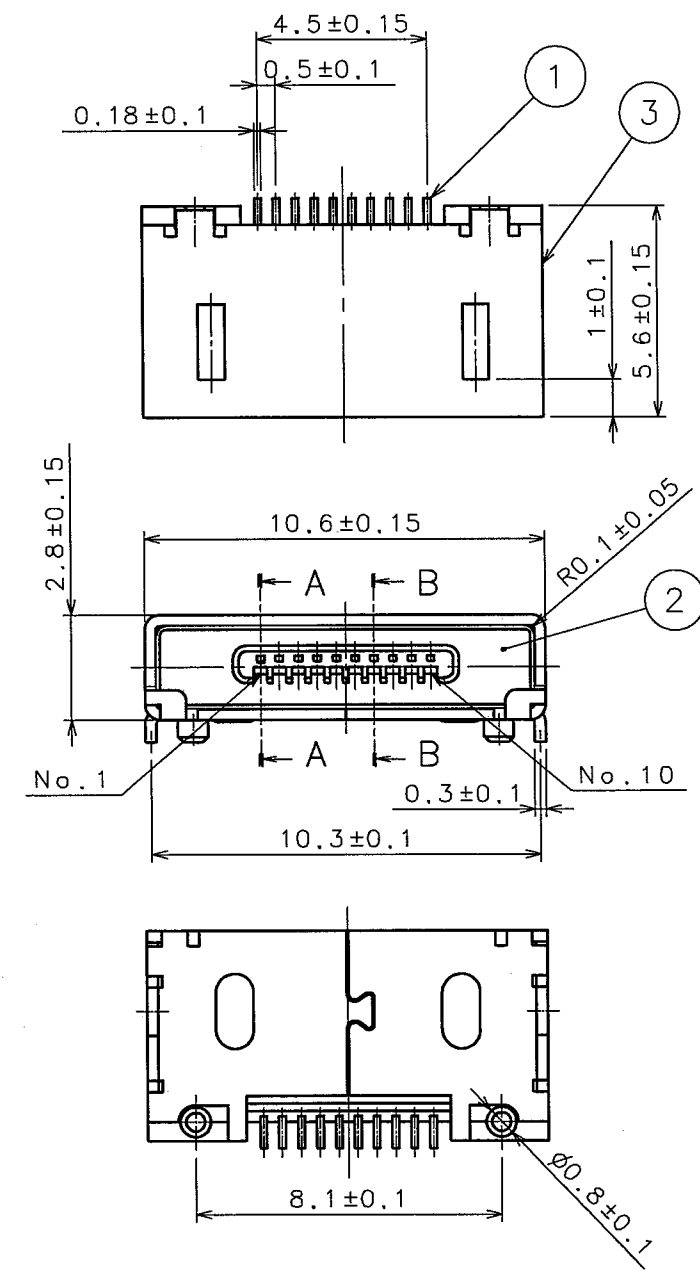
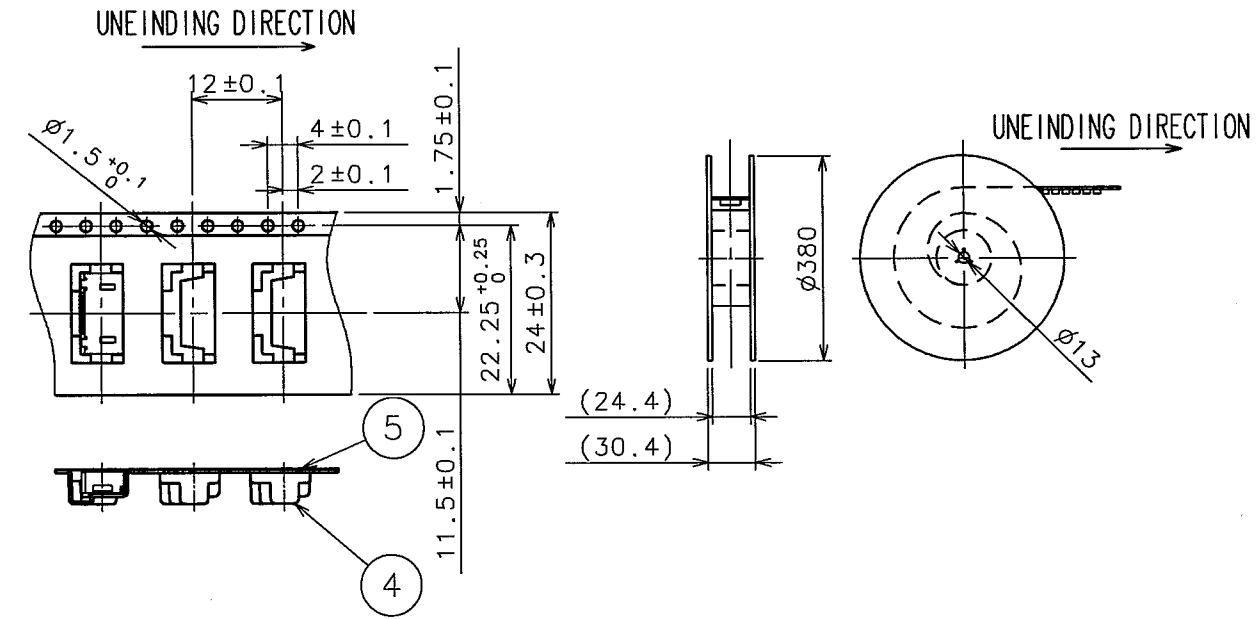
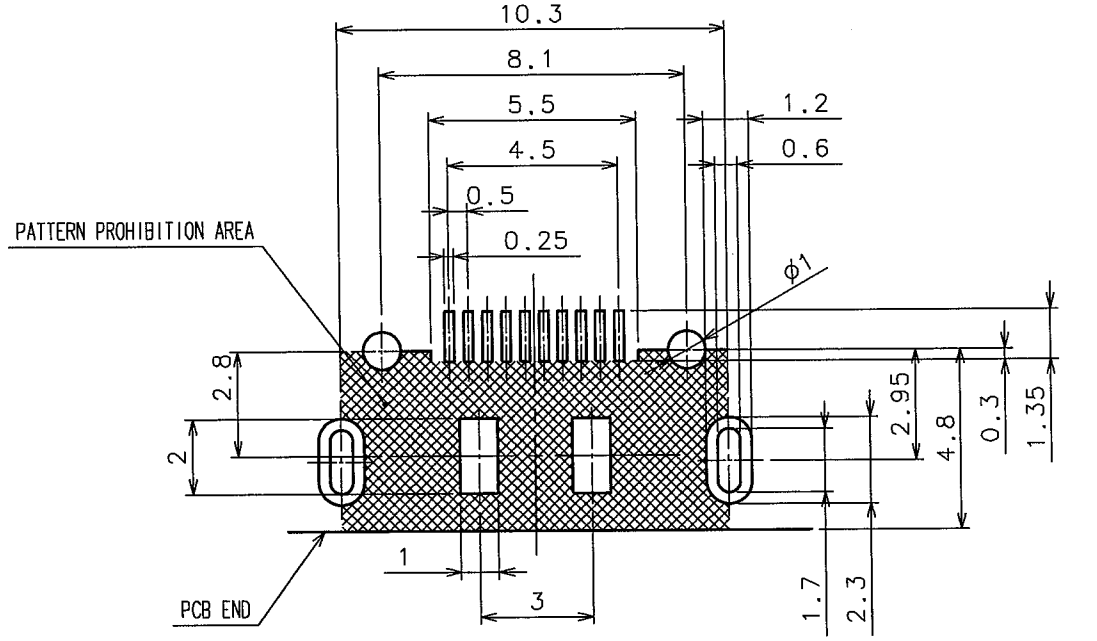


FIGURE FOR PACKING

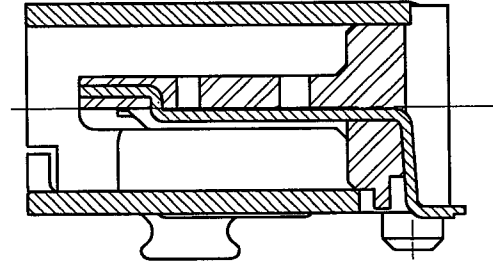
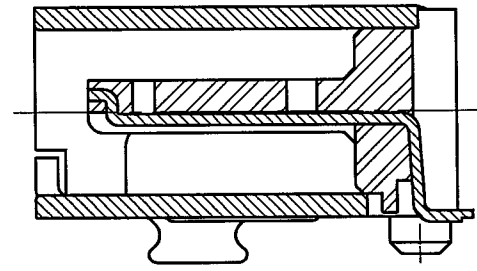


RECOMMENDED PC BOARD PATTERN



A-A (10:1)
(CONTACT No. 1, 10)

B-B (10:1)
(CONTACT No. 2~9)



NOTE 1 PER REL: 1500 PIECES.
2 CO-PLANARITY TO BE 0.1mm MAX.

2	LCP	UL94V-0 (BLACK)	5	PS	
1	PHOSPHOR BRONZE	UNDER PLATING: NICKEL $2\mu\text{m}$ MIN CONTACT AREA: GOLD $0.2\mu\text{m}$ MIN LEAD AREA: GOLD FLASH	4	PS	
			3	PHOSPHOR BRONZE	UNDER PLATING: NICKEL $1\mu\text{m}$ MIN MOUNTING AREA: TIN $1\mu\text{m}$ MIN
NO.	MATERIAL	FINISH, REMARKS	NO.	MATERIAL	FINISH, REMARKS
CODE NO. (OLD)		DRAWN	DESIGNED	CHECKED	APPROVED
		<i>m. Shimoyama</i>	<i>m. Shimoyama</i>	<i>M. Nakamura</i>	<i>[Signature]</i>
		04.2.27	04.2.27	04.3.1	04.3.2
DRAWING NO.		PART NO.		RELEASED	
EDC3-124599		MQ212-10P		..	
SCALE		CODE NO.		1/1	
5:1		CL206-2446-5			
UNITS		HRS		HIROSE ELECTRIC CO., LTD	
mm					

X-ON Electronics

Largest Supplier of Electrical and Electronic Components

Click to view similar products for [Power to the Board](#) category:

Click to view products by [Hirose](#) manufacturer:

Other Similar products are found below :

[6643429-1](#) [6646040-2](#) [6766604-1](#) [120959-1](#) [1393557-2](#) [1393532-2](#) [1393532-3](#) [1393532-4](#) [1393557-1](#) [1744132-7](#) [1892109-1](#) [1-6450850-6](#)
[1-6450869-6](#) [1645526-2](#) [2005243-2](#) [377-0020-11130](#) [MC116N](#) [TE34-12-16P-F0](#) [51700-10201602AALF](#) [51970-004](#) [5-6450830-6](#) [4-](#)
[6600333-3](#) [10125416-4050LF](#) [10130248-005LF](#) [6600320-3](#) [1888123-2](#) [701-15-02109](#) [6450810-7](#) [46437-1112](#) [6450813-2](#) [6450842-4](#)
[10108877-R24403SLF](#) [1645523-1](#) [PSS-06-01-T-S](#) [FWS-03-04-T-S](#) [51760-10301603ABLF](#) [FWS-05-01-T-S](#) [51720-10206002AALF](#) [QE-](#)
[POL-KEY](#) [FWS-08-01-T-S](#) [698-0075-04](#) [C10-642216-56P](#) [6651670-1](#) [MC120N](#) [2-1600788-6](#) [1761385-3](#) [46562-1175](#) [2221861-1](#) [HFWS-](#)
[10-05-TM-S](#) [FWS-13-04-T-S-RA](#)