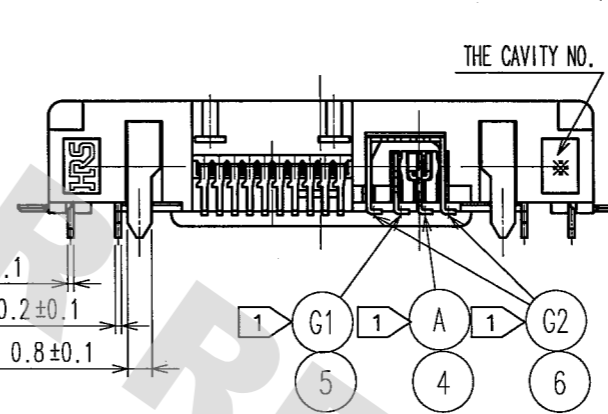
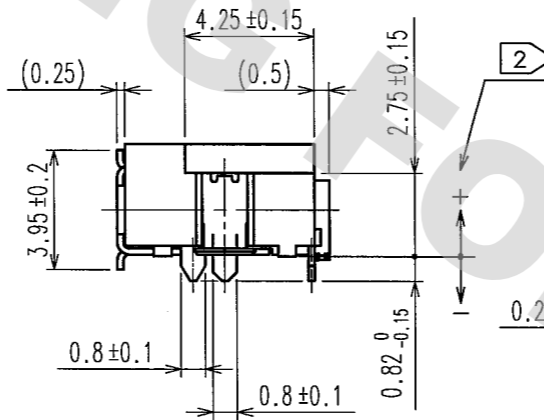
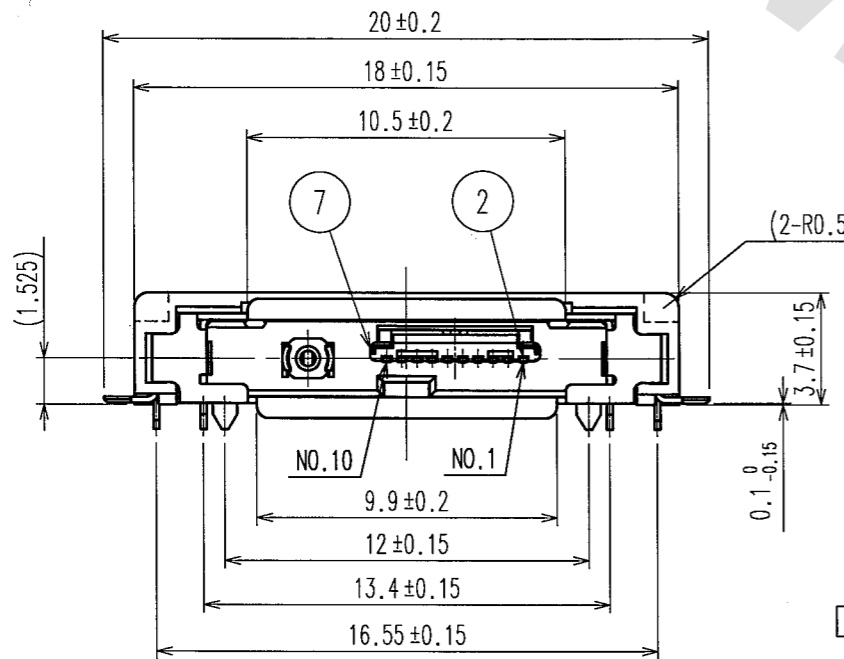
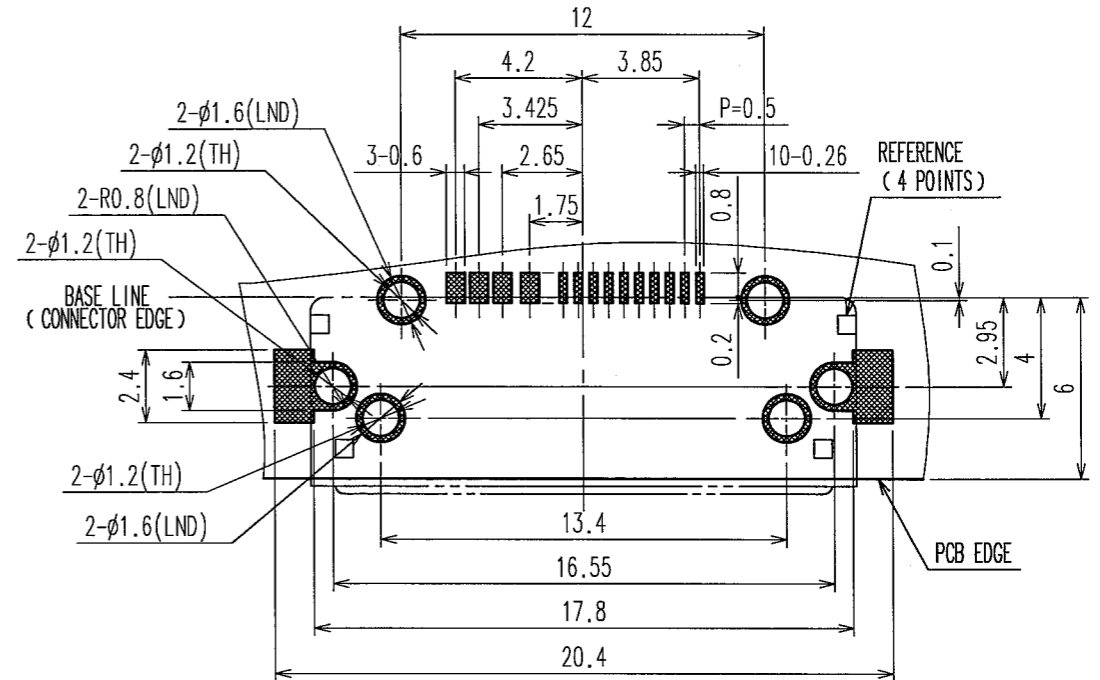
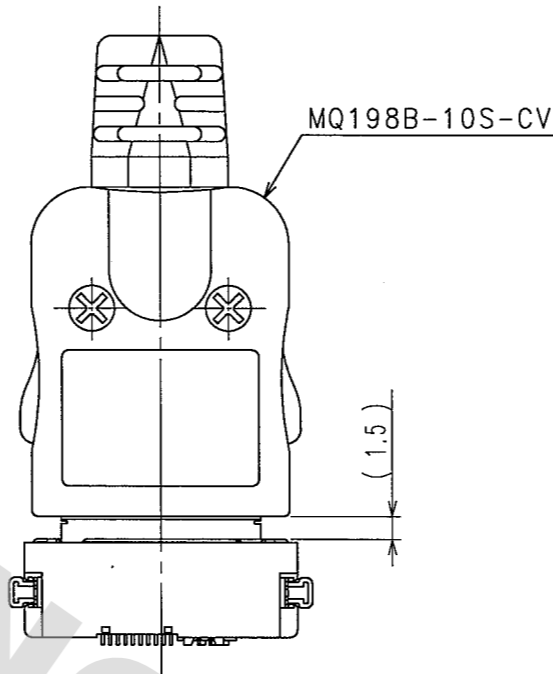
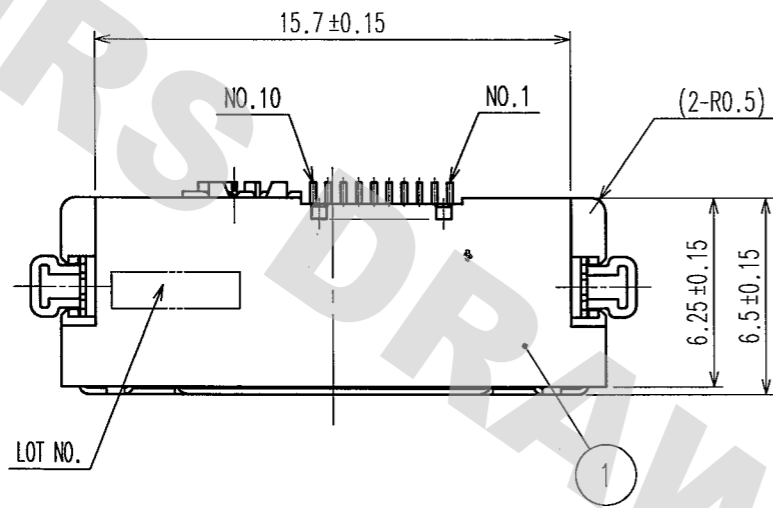


COUNT	DESCRIPTION OF REVISIONS	BY	CHKD	DATE	COUNT	DESCRIPTION OF REVISIONS	BY	CHKD	DATE

MATED (2:1)

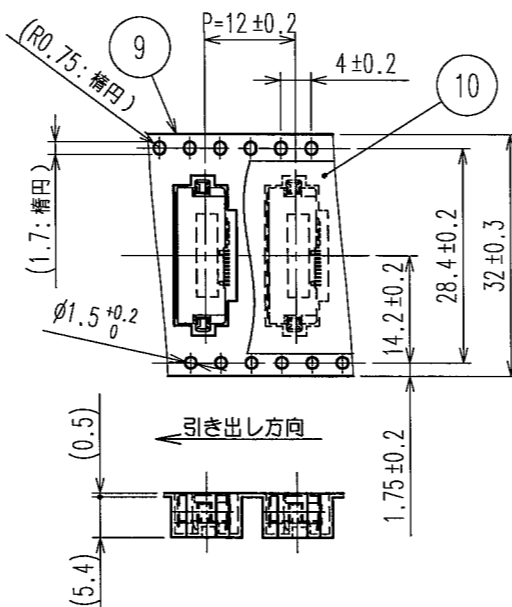
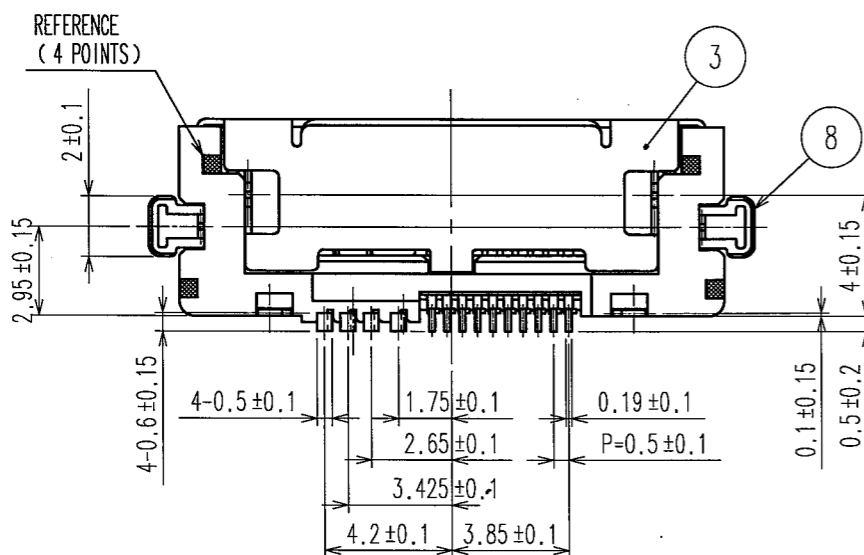
RECOMMEND PCB LAYOUT (CONNECTOR MOUNTING SURFACE)



NOTES

- 1 A CIRCUIT OF COAXIAL CONNECTOR IS AS PER BELOW.  
DISCONNECTED  
PLUG CIRCUIT      RECEPTACLE CIRCUIT      CONNECTED
- 2 COAXIAL AND CONTACT COPLANARITIES ARE 0.1 MAX. DIMENSION OF CONTACT LEAD POSITION IS -0.15 TO 0.
- 3 ONE REEL CONTAINS 1000 PIECES IN 32mm WIDTH TAPE AND REEL PACKAGING.

PACKAGING CONDITION (FREE)



5	COPPER ALLOY	CONTACT PORTION : GOLD PLATING 0.3μm MIN. SOLDERING PORTION : GOLD PLATING 0.03μm MIN.	10	STAINLESS STEEL	
4	COPPER ALLOY	CONTACT PORTION : GOLD PLATING 0.3μm MIN. SOLDERING PORTION : GOLD PLATING 0.03μm MIN.	9	STAINLESS STEEL	
3	STAINLESS STEEL	TIN REFLOW PLATING 1μm MIN.	8	STAINLESS STEEL	TIN PLATING 1μm MIN.
2	COPPER ALLOY	CONTACT PORTION : GOLD PLATING 0.3μm MIN. SOLDERING PORTION : GOLD PLATING 0.03μm MIN.	7	STAINLESS STEEL	
1	POLYAMIDE(9T)	(BLACK) UL94V-0	6	COPPER ALLOY	CONTACT PORTION : GOLD PLATING 0.3μm MIN. SOLDERING PORTION : GOLD PLATING 0.03μm MIN.
NO.	MATERIAL	FINISH, REMARKS	NO.	MATERIAL	FINISH, REMARKS

CODE NO. (OLD)	DRAWN	DESIGNED	CHECKED	APPROVED	RELEASED
	<i>K. Naganuma</i>	<i>K. Naganuma</i>	<i>N. Miyajima</i>	<i>Shiroyuki</i>	
	06.05.19	06.05.19	06.05.19	06.05.19	
SCALE	DRAWING NO.	PART NO.			
4 : 1	EDC3-125738-01	MQ/S198A-10P(11)			
UNITS	HRS	CODE NO.			
mm	HIROSE ELECTRIC CO., LTD	CL206-2523-4-11			

DRAWING FOR REFERENCE: This is subject to change without notice  
08/11/2012

TO

## X-ON Electronics

Largest Supplier of Electrical and Electronic Components

*Click to view similar products for [Gate Drivers](#) category:*

*Click to view products by [Hirose](#) manufacturer:*

Other Similar products are found below :

[00028](#) [00053P0231](#) [8967380000](#) [56956](#) [CR7E-30DB-3.96E\(72\)](#) [57.404.7355.5](#) [LT4936](#) [57.904.0755.0](#) [5801-0903](#) [5803-0901](#) [5811-0902](#)  
[5813-0901](#) [58410](#) [00576P0030](#) [00581P0070](#) [5882900001](#) [00103P0020](#) [00600P0005](#) [00-9050-LRPP](#) [00-9090-RDPP](#) [5951900000](#) [01-](#)  
[1003W-10/32-15](#) [LTI LA6E-1S-WH-RC-FN12VXCR1](#) [0131700000](#) [00-2240](#) [LTP70N06](#) [LVP640](#) [0158-624-00](#) [5J0-1000LG-SIL](#) [020017-13](#)  
[LY1D-2-5S-AC120](#) [LY2-0-US-AC120](#) [LY2-US-AC240](#) [LY3-UA-DC24](#) [00-5150](#) [00576P0020](#) [00600P0010](#) [LZNQ2M-US-DC5](#) [LZNQ2-](#)  
[US-DC12](#) [LZP40N10](#) [00-8196-RDPP](#) [00-8274-RDPP](#) [00-8275-RDNP](#) [00-8609-RDPP](#) [00-8722-RDPP](#) [00-8728-WHPP](#) [00-8869-RDPP](#) [00-](#)  
[9051-RDPP](#) [00-9091-LRPP](#) [00-9291-RDPP](#)