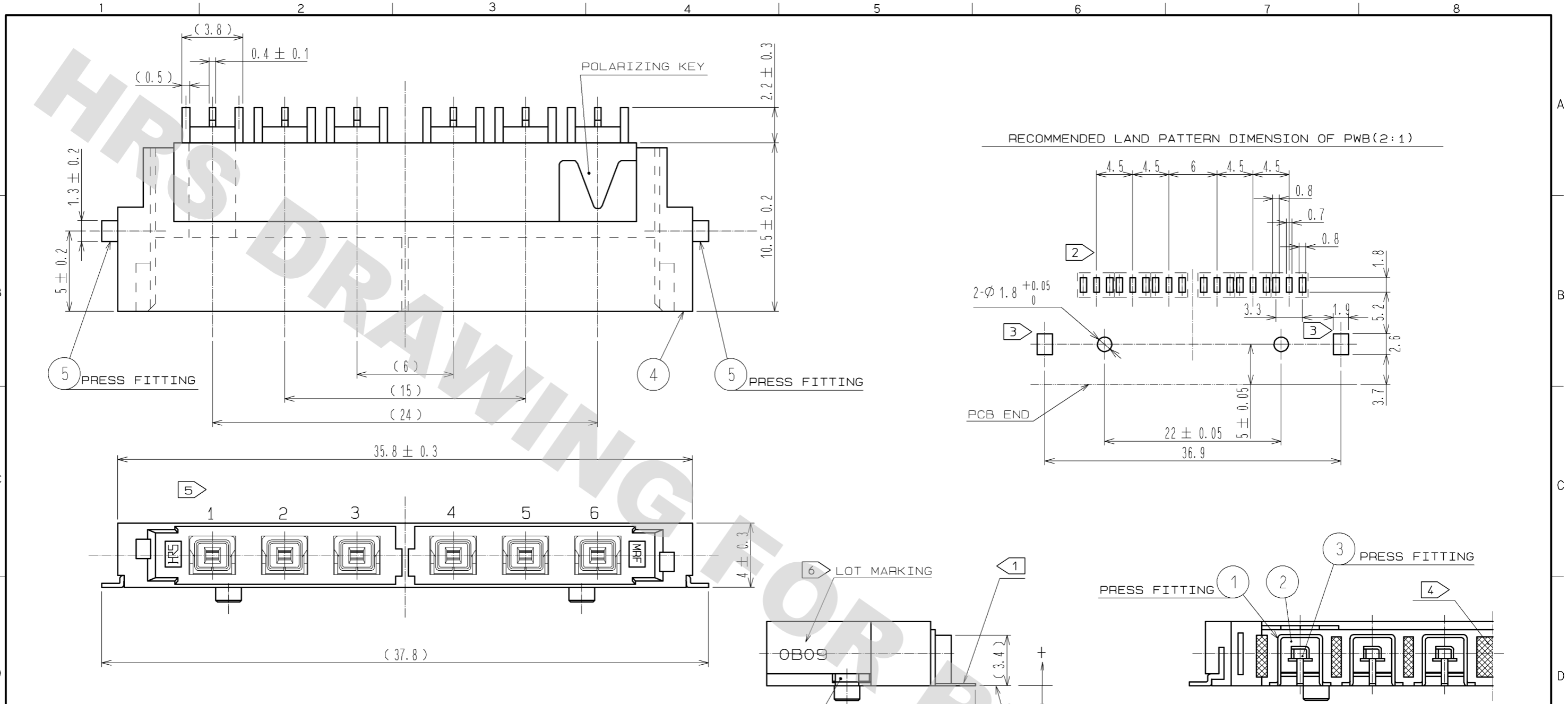
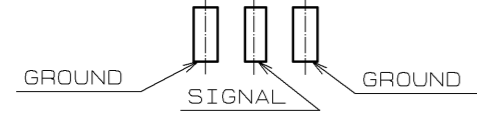


DRAWING FOR REFERENCE: This is subject to change without notice
08/11/2012



- NOTES
- 1 CO-PLANARITY OF LEAD AND METAL FITTINGS SHALL BE $0_{-0.15}^0$ FROM BOARD SURFACE.
 - 2 GROUND-SIGNAL-GROUND IN [] IS ONE SET.

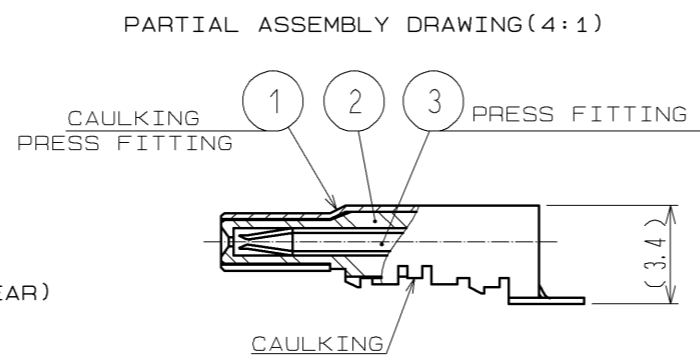


- 3 THESE TWO PARTS ARE SOLDERED ON METAL FITTINGS, NOT FOR SIGNAL AND GROUND.
- 4 THIS AREA (XXXX) IS FOR PREVENTIVE HOLE FOR SINK MARK.
- 5 CONTACT NO. INDICATED IS NOT MARKED ON THE CONNECTOR.
- 6 A LOT MARKING TO BE INDICATED AT THE POSITION SHOWN.

OB09
 O SYMBOL INDICATING DAY
 B SYMBOL INDICATING MONTH (TABLE-1)
 9 SYMBOL INDICATING YEAR
 (BOTTOM 1 FIGURES OF DOMINICAL YEAR)

TABLE-1

JAN.	FEB.	MAR.	APR.	MAY	JUN	JUL.	AUG.	SEP.	OCT.	NOV.	DEC.
A	B	C	D	E	F	G	H	I	J	K	L



2	POLYAMIDE	BLACK·UL94HB	5	BRASS	GOLD PLATING 0.05#		
1	PHOSPHOR BRONZE	UNDERPLATING·NICKEL PLATING 1# DIP AREA·GOLD PLATING 0.05# CONTACT AREA·NICKEL PLATING 1#	4	PPS	BLACK·UL94V-0		
			3	PHOSPHOR BRONZE	UNDERPLATING·NICKEL PLATING 1# DIP AREA·GOLD PLATING 0.05# CONTACT AREA·GOLD PLATING 0.3#		
NO.	MATERIAL	FINISH . REMARKS	NO.	MATERIAL	FINISH . REMARKS		
UNITS	mm	SCALE 4:1	COUNT	DESCRIPTION OF REVISIONS	DESIGNED	CHECKED	DATE
APPROVED : MH. YAMANE		10.02.16	DRAWING NO. EDC3-131534-40				
CHECKED : TS. NOBE		10.02.15	PART NO. MRF03-6R-SMT-2(40)				
DESIGNED : HS. TAKEUCHI		10.02.15	CODE NO. CL313-1007-6-40				
DRAWN : KS. TAKAHASHI		10.02.15					

X-ON Electronics

Largest Supplier of Electrical and Electronic Components

Click to view similar products for [RF Connectors / Coaxial Connectors](#) category:

Click to view products by [Hirose](#) manufacturer:

Other Similar products are found below :

[8915-1511-000](#) [89674-0827](#) [6001-7071-019](#) [6002-7051-003](#) [6002-7551-202](#) [6059674-1](#) [619550-1](#) [630059-000](#) [M39030/3-01N](#) [6500-7071-046](#) [6769](#) [CX050L2AQ](#) [7002-1542-011](#) [7004-1512-000](#) [7009-1511-004](#) [7010-1511-000](#) [7029-1511-060](#) [7101-1541-010](#) [7101-1571-002](#) [7105-1521-002](#) [7145-1521-002](#) [7203-1571-003](#) [7209-1511-011](#) [7210-1511-015](#) [7210-1511-019](#) [73137-5015](#) [73216-2241](#) [7325-1512-000](#) [73404-2300](#) [7405-1521-005](#) [7405-1521-802](#) [7406-1521-005](#) [8527](#) [8547](#) [FS11V](#) [8808-1511-001](#) [9049-9513-000](#) [9074-9513-000](#) [9101-9573-002](#) [910A205F](#) [9130-9573-002](#) [PL11SC-026](#) [PL375-33](#) [PL40-5](#) [PL71-9](#) [PL74C-221](#) [PL75MC-217](#) [PL803-7](#) [980-8666-005](#) [1200690078](#)