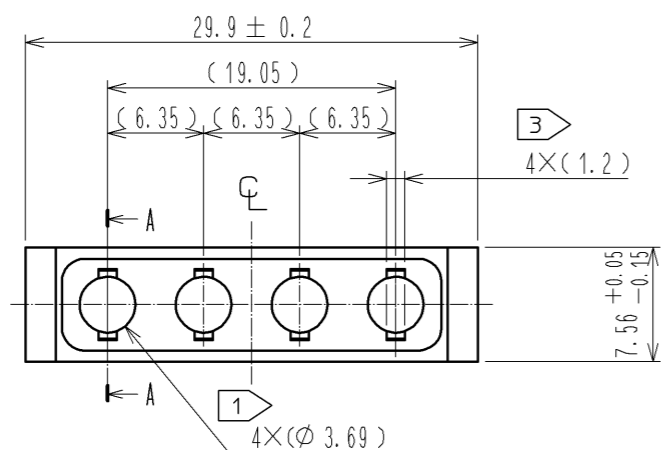
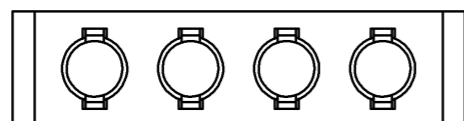
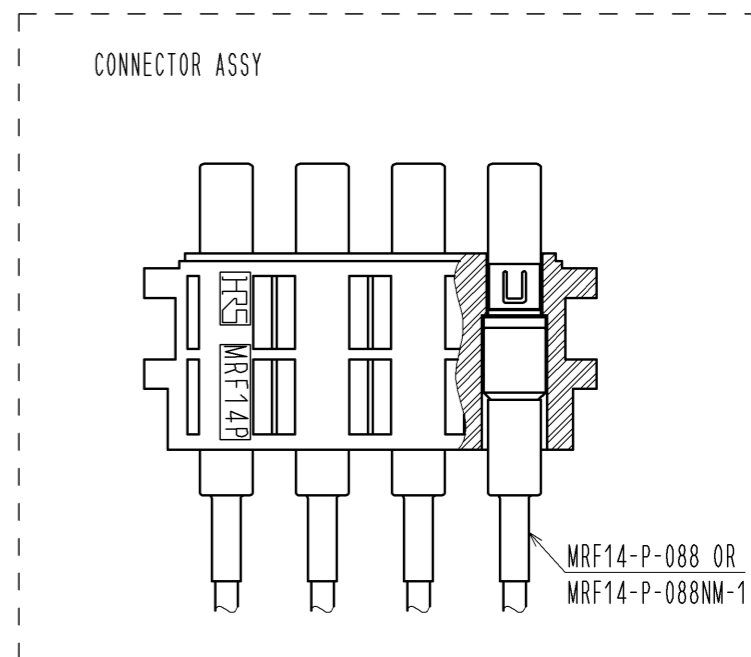
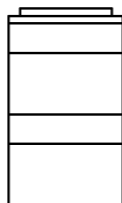
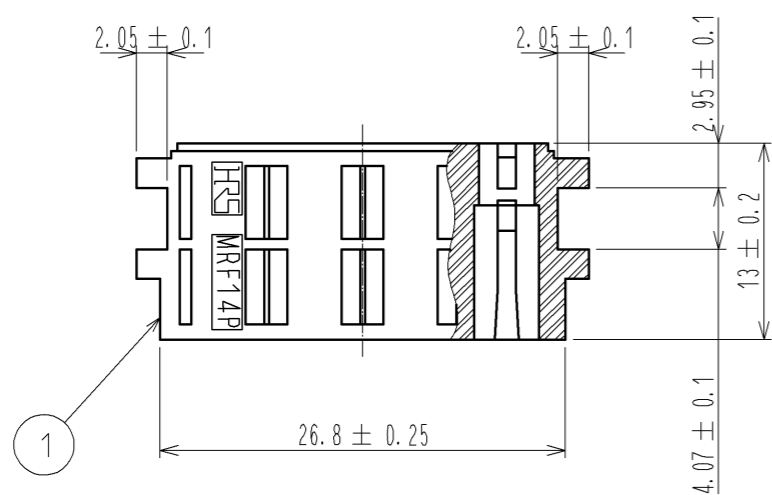
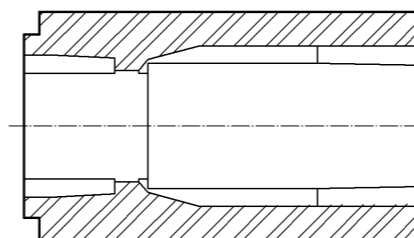


Sep.1.2021 Copyright 2021 HIROSE ELECTRIC CO., LTD. All Rights Reserved.
In case of consideration for using Automotive equipment / device which demand high reliability, kindly contact our sales window correspondents.



A-A(4:1)



HRS DRAWING FOR REFERENCE

- Notes 1 Assemble coaxial connectors MRF14-P-088(CL313-0702-9) or MRF14-P-088NM-1(CL313-0714-8) into holes (4×∅3.69).
2. This product shall be mated MRF14-4J-CH (CL313-0708-5) assembled MRF14-J-088(CL313-0703-1) or MRF14-J-088NM-1(CL313-0715-0) without defects.
- 3 Unmating tool insert this part.

| 1 | PBT | UL94V-0 (WHITE) | | | | |
|---------------------------|----------|------------------|------------------------|--------------------------|----------------------------|--------------|
| NO. | MATERIAL | FINISH . REMARKS | NO. | MATERIAL | FINISH . REMARKS | |
| UNITS mm | | SCALE 2 : 1 | | DESCRIPTION OF REVISIONS | DESIGNED | CHECKED DATE |
| HIROSE ELECTRIC CO., LTD. | | | APPROVED : MH. YAMANE | 12.09.05 | DRAWING NO. EDC3-335021-00 | |
| | | | CHECKED : MH. TSUCHIDA | 12.09.05 | PART NO. MRF14-4P-CH | |
| | | | DESIGNED : TS. KANEKO | 12.09.05 | CODE NO. CL313-0707-2-00 | |
| | | | DRAWN : YY. KOBAYASHI | 12.09.05 | 1/1 | |

X-ON Electronics

Largest Supplier of Electrical and Electronic Components

Click to view similar products for [RF Connectors / Coaxial Connectors](#) category:

Click to view products by [Hirose](#) manufacturer:

Other Similar products are found below :

[8915-1511-000](#) [89674-0827](#) [6001-7071-019](#) [6002-7051-003](#) [6002-7551-202](#) [6059674-1](#) [619550-1](#) [630059-000](#) [M39030/3-01N](#) [6500-7071-046](#) [6769](#) [CX050L2AQ](#) [7002-1542-011](#) [7004-1512-000](#) [7009-1511-004](#) [7010-1511-000](#) [7029-1511-060](#) [7101-1541-010](#) [7101-1571-002](#) [7105-1521-002](#) [7145-1521-002](#) [7203-1571-003](#) [7209-1511-011](#) [7210-1511-015](#) [7210-1511-019](#) [73137-5015](#) [73216-2241](#) [7325-1512-000](#) [73404-2300](#) [7405-1521-005](#) [7405-1521-802](#) [7406-1521-005](#) [8527](#) [8547](#) [FS11V](#) [8808-1511-001](#) [9049-9513-000](#) [9074-9513-000](#) [9101-9573-002](#) [910A205F](#) [9130-9573-002](#) [PL11SC-026](#) [PL375-33](#) [PL40-5](#) [PL71-9](#) [PL74C-221](#) [PL75MC-217](#) [PL803-7](#) [980-8666-005](#) [1200690078](#)