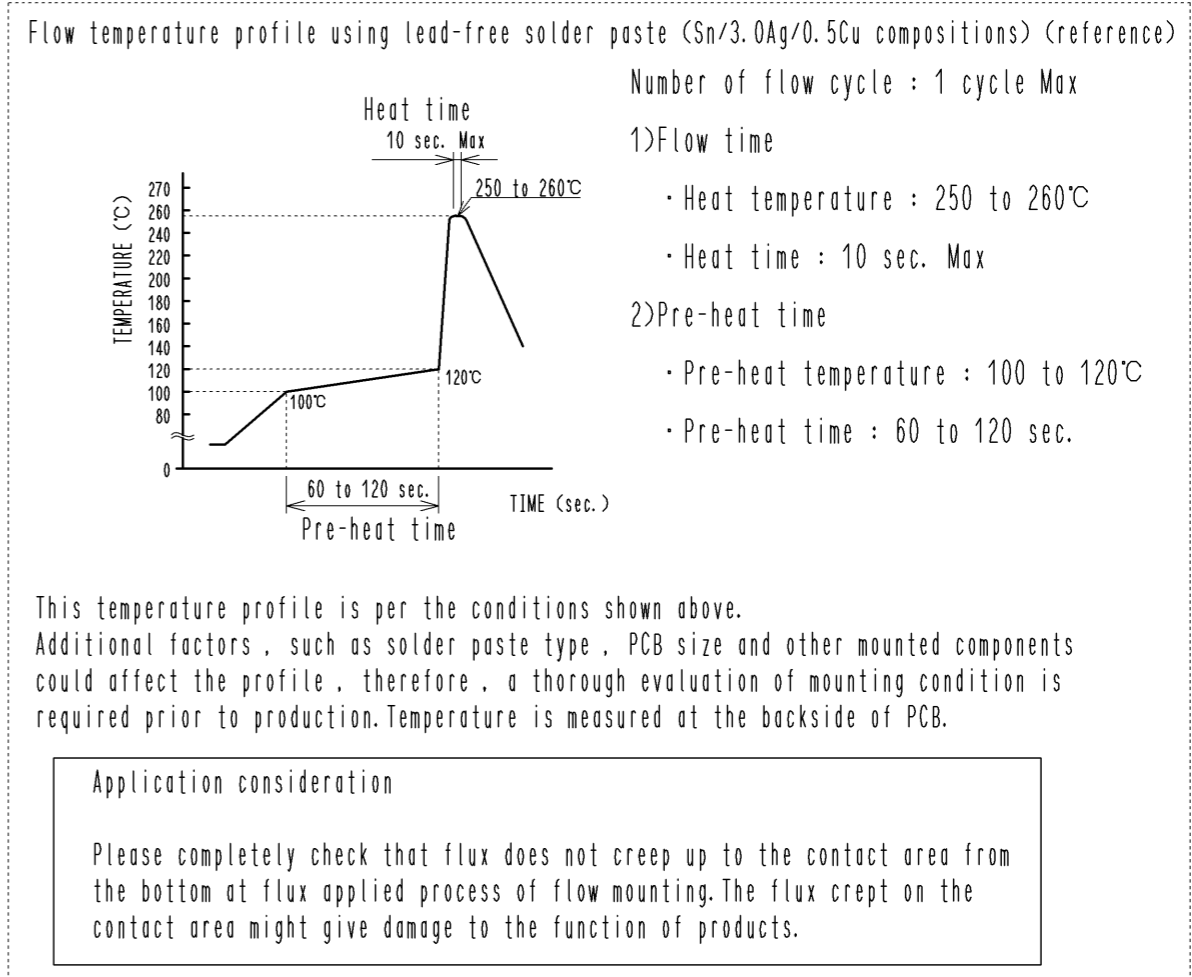
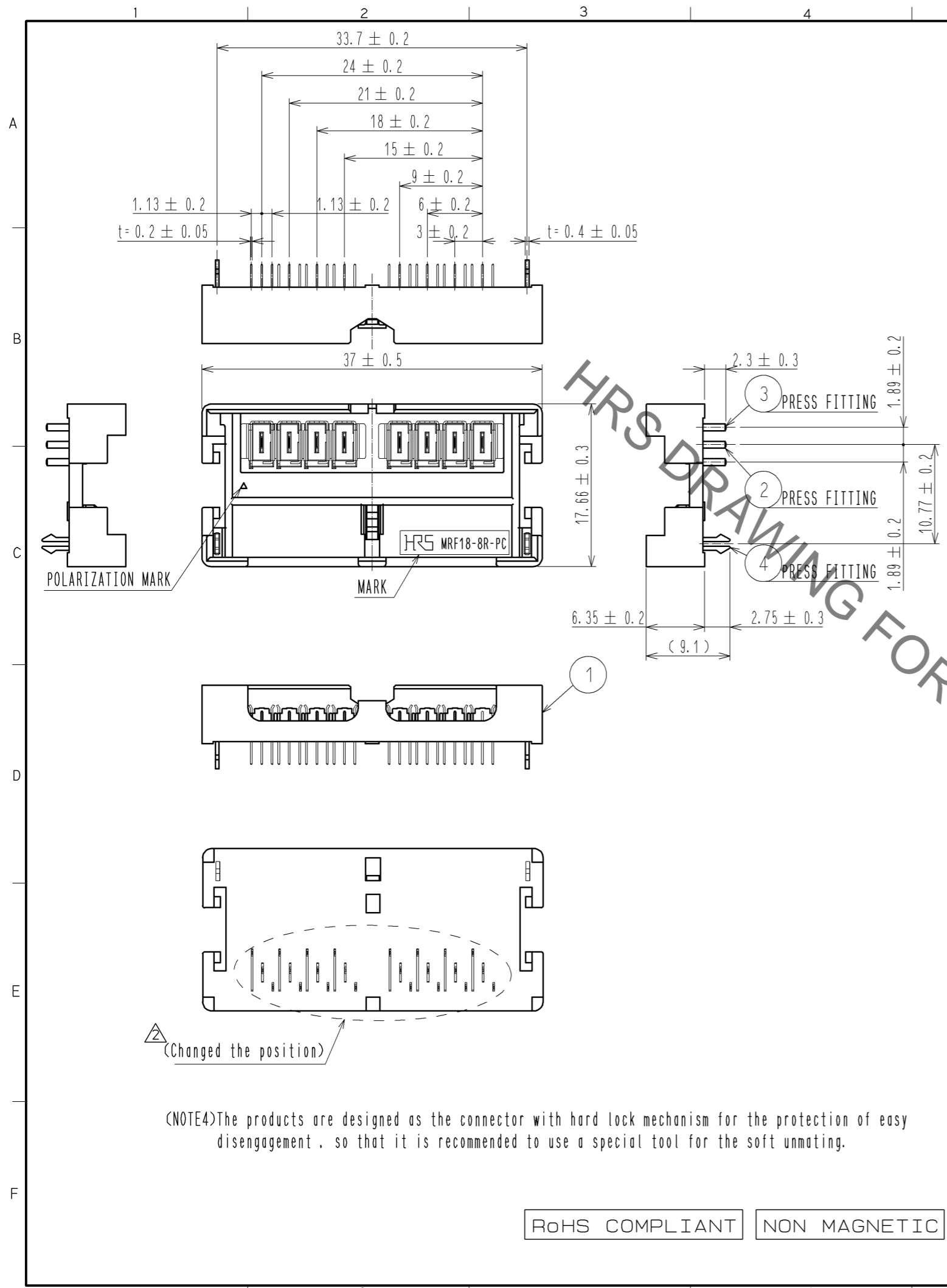


Sep.1.2021 Copyright 2021 HIROSE ELECTRIC CO., LTD. All Rights Reserved.  
In case of consideration for using Automotive equipment / device which demand high reliability, kindly contact our sales window correspondents.



(NOTE1) Connector should be mated with MRF18-8P-178B/U (CL313-1105-5) without any failure.

(NOTE2) Black marks do not affect connector quality, when they may occasionally occur in mold resin.

(NOTE3) Notice(Storage and Operating Condition)

「 Storage 」

Use all component within 6 months (unopened) after the delivery.

TEMPERATURE : 10 to +40°C

HUMIDITY : 15 to 85%RH

In order to store unused product opened, enclose silicagel, and seal plastic bag like our packing specification.

「 Environment Condition 」

Do not use the product under the environmental condition as shown below due to possible deterioration of products.

- Special gas atmosphere (hydrogen sulfide gas, sulfur sulfide gas and hydrogen sulfide gas)
- Place attention required : heating system, area near hot spring, volcanic mountain and alike
- Water splashed and condensation places.
- Place attention required : harsh temperature change.

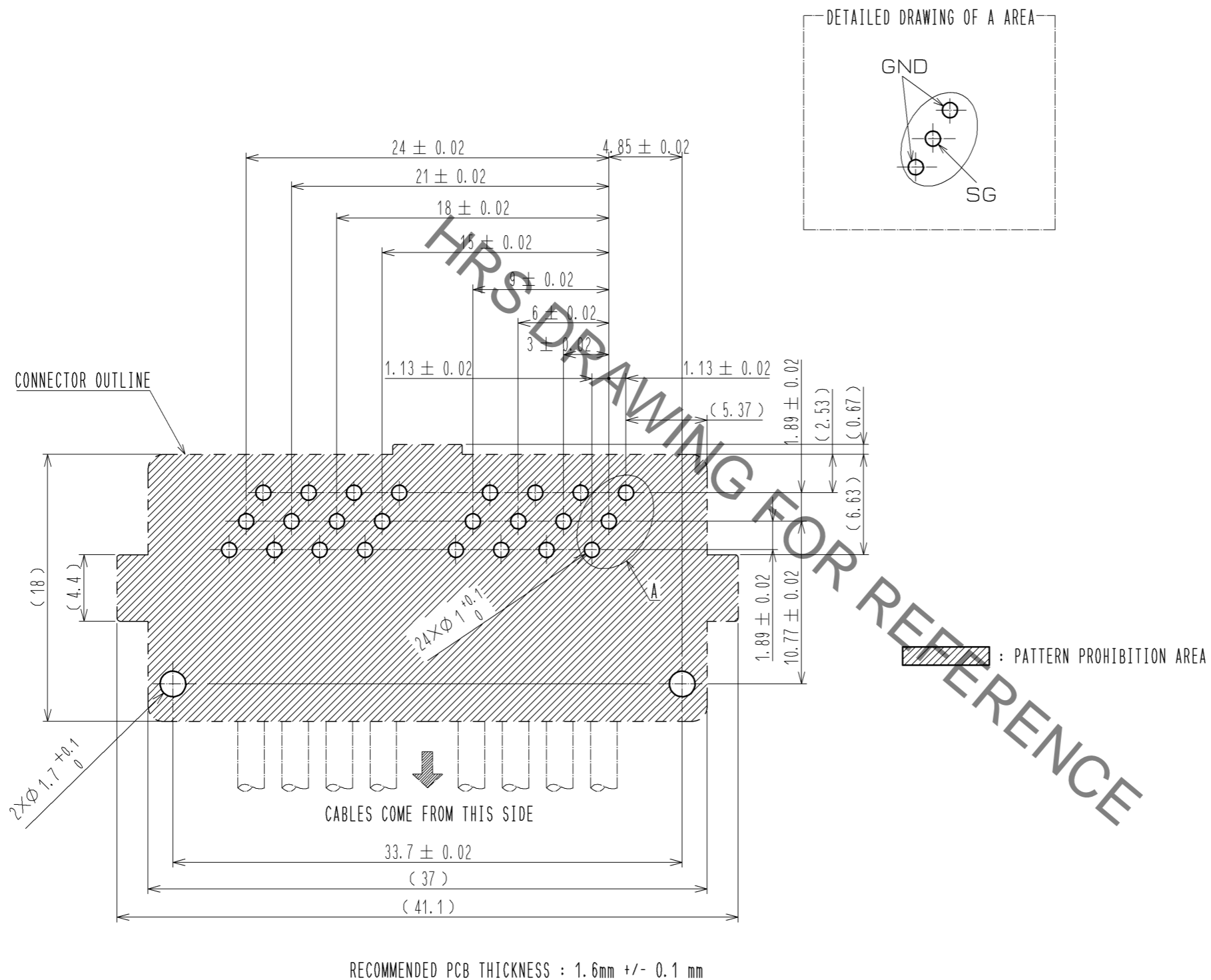
(NOTE4) The products are designed as the connector with hard lock mechanism for the protection of easy disengagement, so that it is recommended to use a special tool for the soft unmating.

RoHS COMPLIANT    NON MAGNETIC

2	BRASS	GOLD PLATING	4	BRASS	TIN-SILVER-COPPER PLATING
1	POLYAMIDE	BLACK, UL94V-0	3	BRASS	TIN-SILVER-COPPER PLATING
NO.	MATERIAL	FINISH, REMARKS	NO.	MATERIAL	FINISH, REMARKS
UNITS	mm	SCALE	2 : 1	COUNT	1
DESCRIPTION OF REVISIONS			DESIGNED	HA. NISHIMURA	CHECKED
DIS-D-003361			DATE	14.07.30	
APPROVED : MH. YAMANE			13.10.22	DRAWING NO. EDC3-351431-00	
CHECKED : MH. TSUCHIDA			13.10.22	PART NO. MRF18-8R-PC	
DESIGNED : HA. NISHIMURA			13.10.21	CODE NO. CL313-1106-8-00	
DRAWN : HA. NISHIMURA			13.10.21		

Sep.1.2021 Copyright 2021 HIROSE ELECTRIC CO., LTD. All Rights Reserved.  
 In case of consideration for using Automotive equipment / device which demand high reliability, kindly contact our sales window correspondents.

# RECOMMENDED PCB BOARD PATTERN DRAWING ( FREE )



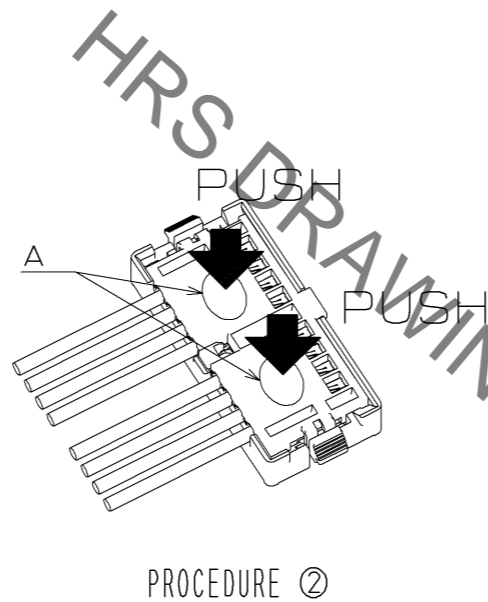
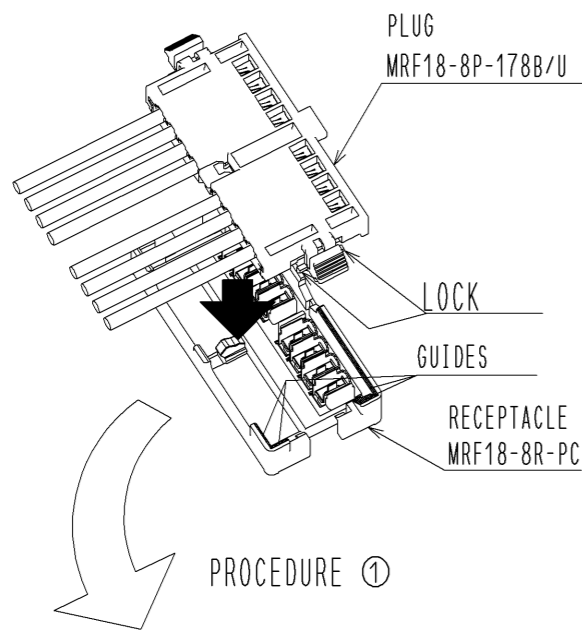
<b>HRS</b>	DRAWING NO.	EDC3-351431-00
	PART NO.	MRF18-8R-PC
	CODE NO.	CL313-1106-8-00

OPERATION MANUAL FOR MRF18 SERIES

MATING PROCEDURE

- ① Insert the plug into the receptacle along the guides of the corner edges of receptacle.
- ② Push two center areas of the plug, which shown is the drawing below. You can get the click feeling when the lock of the plug is set.

NOTE : Push the plug completely to the end.

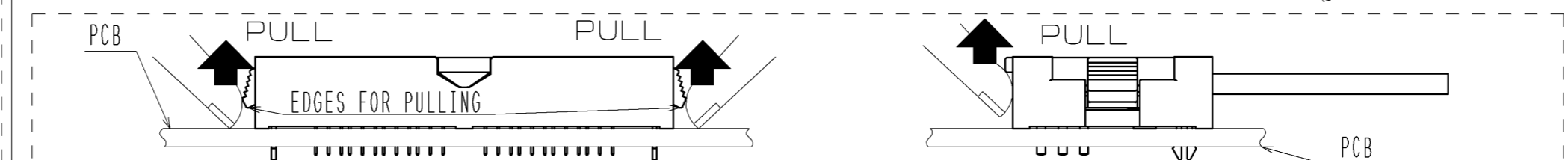
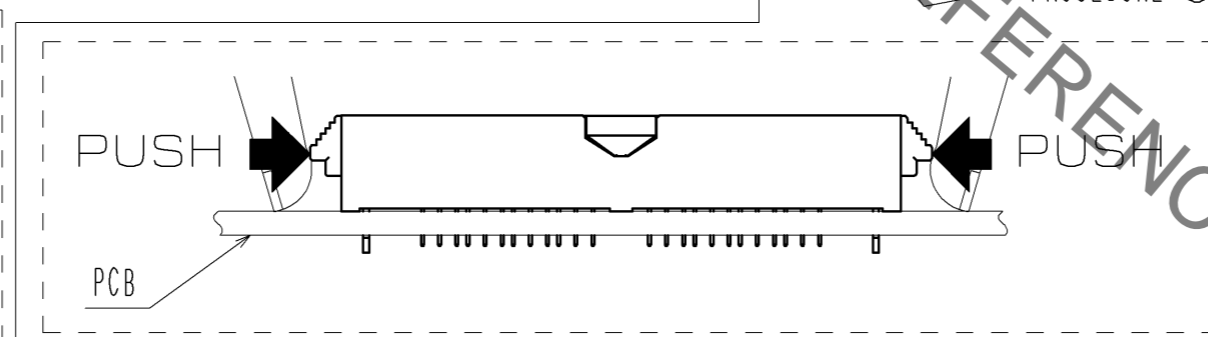
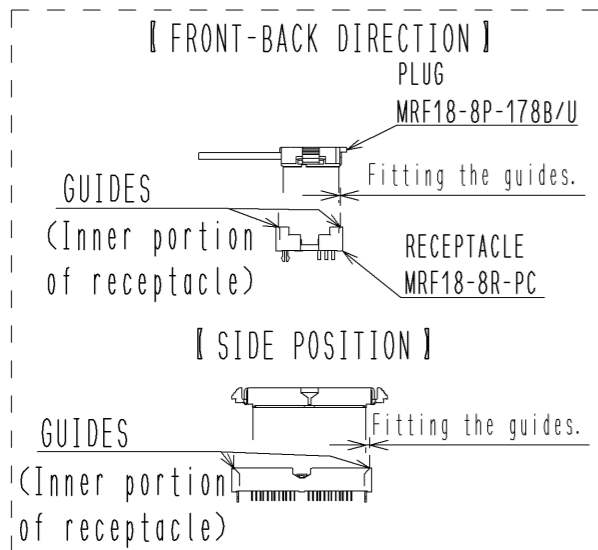
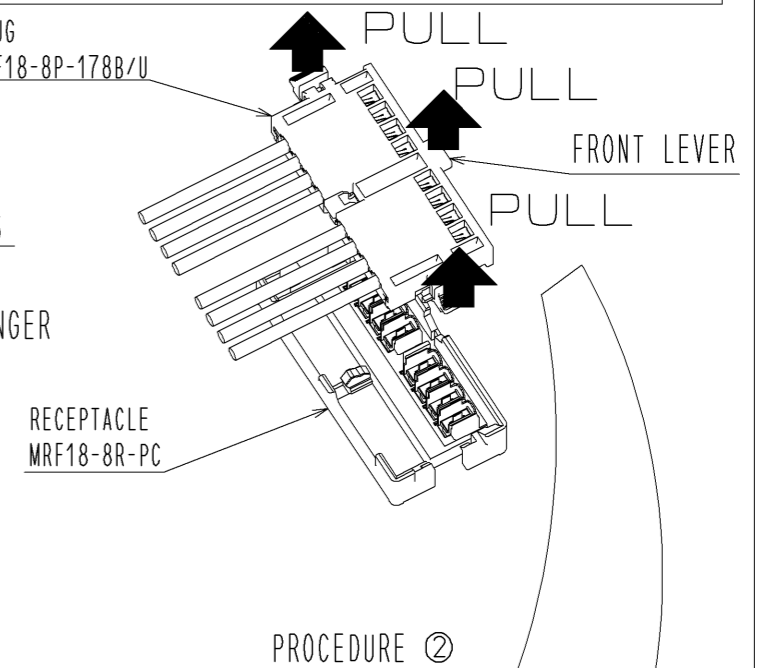
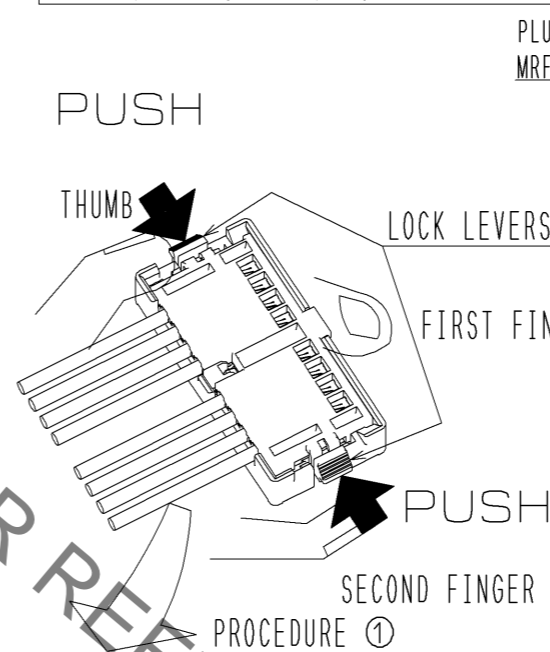


UNMATING PROCEDURE

- ① Push the lock levers of the plug at the both sides in the direction of the arrows.
- ② Pull up the front lever of the plug vertically in the condition of pushing both side lock levers.

NOTE : Push the lock levers of the plug as completely as possible.

Please be careful not hurt nails and others because the unmating force is strong when pulling the plug.



Pull up the front lever and the edges of lock levers of the plug vertically at the same time, catching and pushing the edges of lock levers with finger at the both sides

Please be careful not hurt nails and others because the unmating force is strong when pulling the plug.

<b>HRS</b>	DRAWING NO.	EDC3-351431-00
	PART NO.	MRF18-8R-PC
	CODE NO.	CL313-1106-8-00
		3/3

Sep.1.2021 Copyright 2021 HIROSE ELECTRIC CO., LTD. All Rights Reserved. In case of consideration for using Automotive equipment / device which demand high reliability, kindly contact our sales window correspondents.

## X-ON Electronics

Largest Supplier of Electrical and Electronic Components

*Click to view similar products for [RF Connectors / Coaxial Connectors](#) category:*

*Click to view products by [Hirose](#) manufacturer:*

Other Similar products are found below :

[8915-1511-000](#) [89674-0827](#) [6001-7071-019](#) [6002-7051-003](#) [6002-7551-202](#) [6059674-1](#) [619550-1](#) [630059-000](#) [M39030/3-01N](#) [6500-7071-046](#) [6769](#) [CX050L2AQ](#) [7002-1542-011](#) [7004-1512-000](#) [7009-1511-004](#) [7010-1511-000](#) [7029-1511-060](#) [7101-1541-010](#) [7101-1571-002](#) [7105-1521-002](#) [7145-1521-002](#) [7203-1571-003](#) [7209-1511-011](#) [7210-1511-015](#) [7210-1511-019](#) [73137-5015](#) [73216-2241](#) [7325-1512-000](#) [73404-2300](#) [7405-1521-005](#) [7405-1521-802](#) [7406-1521-005](#) [8527](#) [8547](#) [FS11V](#) [8808-1511-001](#) [9049-9513-000](#) [9074-9513-000](#) [9101-9573-002](#) [910A205F](#) [9130-9573-002](#) [PL11SC-026](#) [PL375-33](#) [PL40-5](#) [PL71-9](#) [PL74C-221](#) [PL75MC-217](#) [PL803-7](#) [980-8666-005](#) [1200690078](#)