

(1/2)

△	△	△	△	△	△	△	△	△	△	△	△
△	7	RE-J-0759	K.S	K.K	94.1.12	△					
△						△					

APPLICABLE STANDARD							
RATING	VOLTAGE	CONTACT No. ~	AC ~	V	APPLICABLE CABLES	1.9mm outside diameter $\Delta$	
	CURRENT	CONTACT No. ~	DC ~	V	IMPEDANCE FREQUENCY RANGE	50 $\Omega$ (DC~1.600MHz)	
	POWER	2 W (MAX)			OPERATING TEMPERATURE RANGE	-30 $^{\circ}$ C ~ +70 $^{\circ}$ C	
	SPECIALTY				OPERATING HUMIDITY RANGE	~ 90 %	

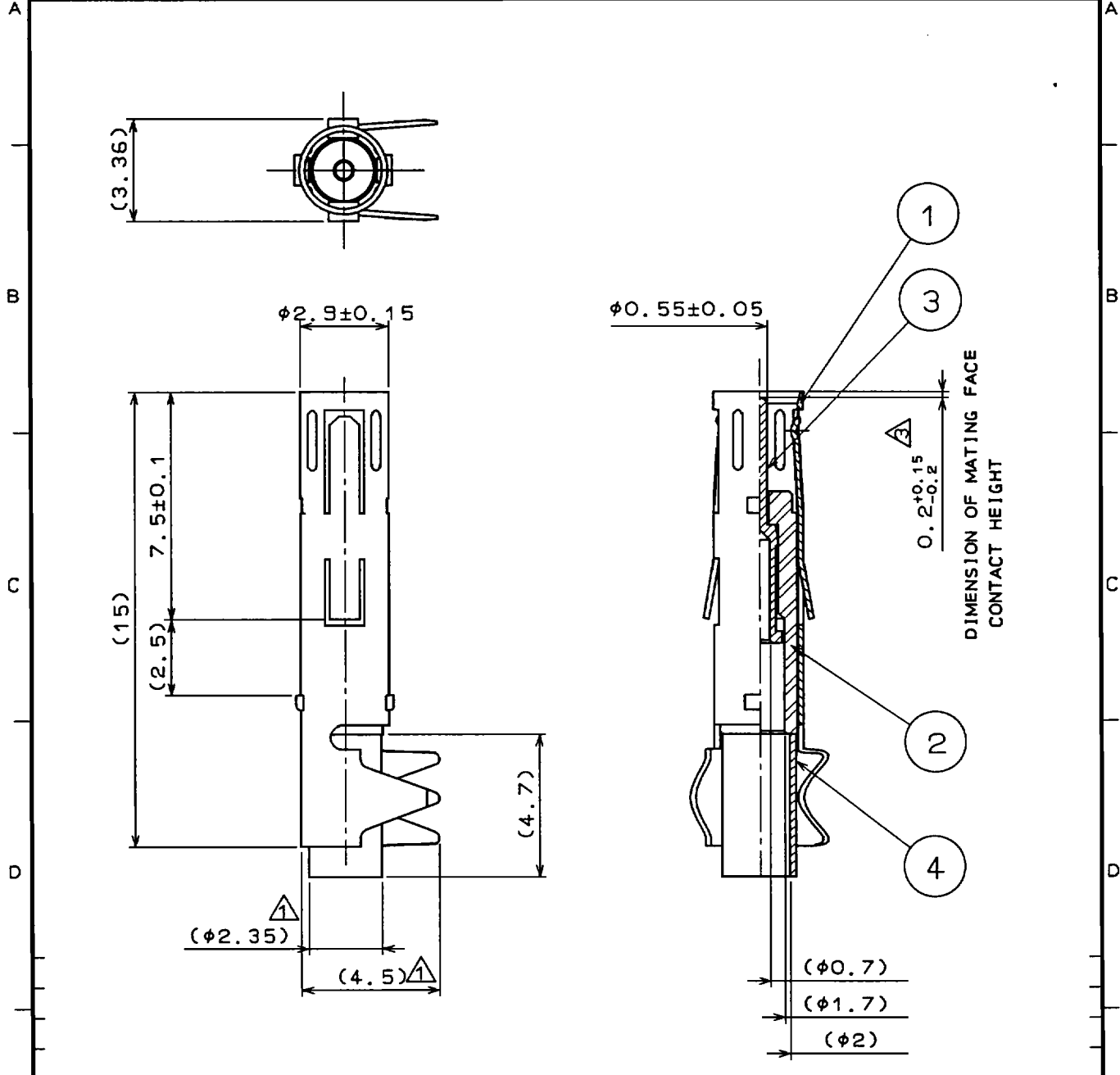
### SPECIFICATIONS

No.	ITEM	CONDITIONS	TEST STANDARD	MIN	MAX	UNITS	QT	AT
1	DESIGN-MATERIAL-FINISH	ADC4		-	-	-	○	○
2	MARKING	Applicable Std. and DC4-30672		-	-	-	-	-
3	INSULATION RESISTANCE	Must be over standard value at DC 100V.		1.000	-	M $\Omega$	○	○
4	CONTACT RESISTANCE CONTACT	The voltage drop must be under the Std. value at DC A.		-	-	m $\Omega$	-	-
	CONTACT	The voltage drop must be under the Std. value at DC A.		-	-	m $\Omega$	-	-
5	DIELECTRIC WITHSTANDING VOLTAGE	Must keep the AC DC V for one minute.		-	-	-	-	-
6	V SWR	Must be under the Std. value at frequency $\Phi$ DC ~ 1.000 MHz $\Delta$ $\Phi$ 1.000 ~ 1.600 MHz $\Delta$	Note 3 $\Delta$	-	$\Delta$ 1.5 $\Delta$ 1.6	-	○	-
7	INSERTION LOSS	Must be under the Std. value at frequency		-	-	dB	-	-
8	LOW LEVEL CIRCUIT	The Contact Resistance must be under the Std. value at DC 20mV less and mA.		-	-	m $\Omega$	-	-
9	CONTACT ENGAGEMENT AND SEPARATION FORCES	Must be suitable for the Std. value at applicable gauge. Gauge size $\Phi$ 2.3 $\pm$ 0.005		0.2	-	N	○	-
	MATING AND UNMATING FORCES	Must be suitable for the Std. value.		-	-	kof	-	-
10	HUMIDITY	Insulation resistance must be over the Std. value at $^{\circ}$ C ~ X hours.	at high humidity	-	-	M $\Omega$	-	-
			after high humidity	-	-	M $\Omega$	-	-
11	VIBRATION	Must have no damage, crack and looseness of parts at Frequency range ~ Hz, Total amplitude mm, G at hours for directions.		-	-	-	-	-
12	SHOCK	Must have no damage, crack and looseness of parts G at times for directions.		-	-	-	-	-
13	TEMPERATURE CYCLING	Must have no damage, crack and looseness of parts for ~ $^{\circ}$ C cycles.		-	-	-	-	-
14	DURABILITY	Must be less than the Std. value after 5,000 times insertion and extraction at the condition described in above item No.6.		-	1.8	-	○	-
15	SALT SPRAY (CORROSION)	Must not have heavy corrosion after X salt water spray for hours.		-	-	-	-	-
16	WATER PRESSURE WITHSTANDING	No leakage at depth m kof/cm <sup>2</sup> hours.		-	-	-	-	-
17	AIR PRESSURE WITHSTANDING	No leakage at pressure kof/cm <sup>2</sup> mmHg	min sec	-	-	-	-	-
18	CABLE-CLAMP RESISTANCE	The applicable cable must be connected and be suitable for the Std. value.		$\Delta$ 29	-	N	○	-

TO  
REFD  
USA

REMARKS Note 3 VSWR of MS-138 ③-④ (Nomal open) is included $\Delta$	APPROVED	<i>Y. Miyake</i>	5.22.93	ISSUED BY <b>HR5 HIROSE ELECTRIC CO., LTD.</b>
	REVIEWED			
	CHECKED	<i>K. Kawasawa</i>	5.26.93	
	DESIGNED	<i>T. Ozaki</i>	5.17.93	
	DRAWN	<i>T. Ozaki</i>	5.17.93	
DRAWING No.	SPECIFICATION SHEET		CODE No	PART No. MS-138-(1D) *HIROSO0255*

1	2		3		4				
COUNT	DESCRIPTION OF REVISIONS	BY	CHKD	DATE	COUNT	DESCRIPTION OF REVISIONS	BY	CHKD	DATE
① 2	RE-J-0758	K.S	K.K	94. 1. 11	△				
② 1	RE-J-0954	K.S	K.K	95. 12. 15	△				
③ 1	RE-J-1100	T.N	K.K	96. 12. 3	△				



NOTE 1 : THIS DRAWING IS ILLUSTRATED ON THE SUPPOSITION OF ASSEMBLED THE CABLE, DELIVERED SEPARATELY.  
 NOTE 2 : THIS CONTACT IS APPLICABLE TO BE INSERTED AND FIXED TO MQ138-~~16S~~-16S(-14S)-CV. △

2	PTFE		4	Brass	Nickel plated
1	Phosphor bronze	Nickel plated	3	Phosphor bronze	Gold plated
NO.	MATERIAL	FINISH, REMARKS	NO.	MATERIAL	FINISH, REMARKS

CODE NO. (OLD)	DRAWN	DESIGNED	CHECKED	APPROVED	RELEASED
	T. NAKAGAWA	T. NAKAGAWA	K. KAWAMURA	Y. MIYAKE	
	93. 5 .20	93. 5 .20	93. 5 .20	93. 5 .20	

DRAWING NO. EDC4-30672	PART NO. MS-138-C(P)
---------------------------	-------------------------

SCALE 5 : 1	UNITS	HRS HIROSE ELECTRIC CO., LTD	CODE NO. CL358-0088-3	1/1
----------------	-------	------------------------------	--------------------------	-----

TO  
DFD



## X-ON Electronics

Largest Supplier of Electrical and Electronic Components

*Click to view similar products for [RF Connectors / Coaxial Connectors](#) category:*

*Click to view products by [Hirose](#) manufacturer:*

Other Similar products are found below :

[8915-1511-000](#) [89674-0827](#) [6001-7071-019](#) [6002-7051-003](#) [6002-7551-202](#) [6059674-1](#) [619550-1](#) [630059-000](#) [M39030/3-01N](#) [6500-7071-046](#) [6769](#) [CX050L2AQ](#) [7002-1542-011](#) [7004-1512-000](#) [7009-1511-004](#) [7010-1511-000](#) [7029-1511-060](#) [7101-1541-010](#) [7101-1571-002](#) [7105-1521-002](#) [7145-1521-002](#) [7203-1571-003](#) [7209-1511-011](#) [7210-1511-015](#) [7210-1511-019](#) [73137-5015](#) [73216-2241](#) [7325-1512-000](#) [73404-2300](#) [7405-1521-005](#) [7405-1521-802](#) [7406-1521-005](#) [8527](#) [8547](#) [FS11V](#) [8808-1511-001](#) [9049-9513-000](#) [9074-9513-000](#) [9101-9573-002](#) [910A205F](#) [9130-9573-002](#) [PL11SC-026](#) [PL375-33](#) [PL40-5](#) [PL71-9](#) [PL74C-221](#) [PL75MC-217](#) [PL803-7](#) [980-8666-005](#) [1200690078](#)