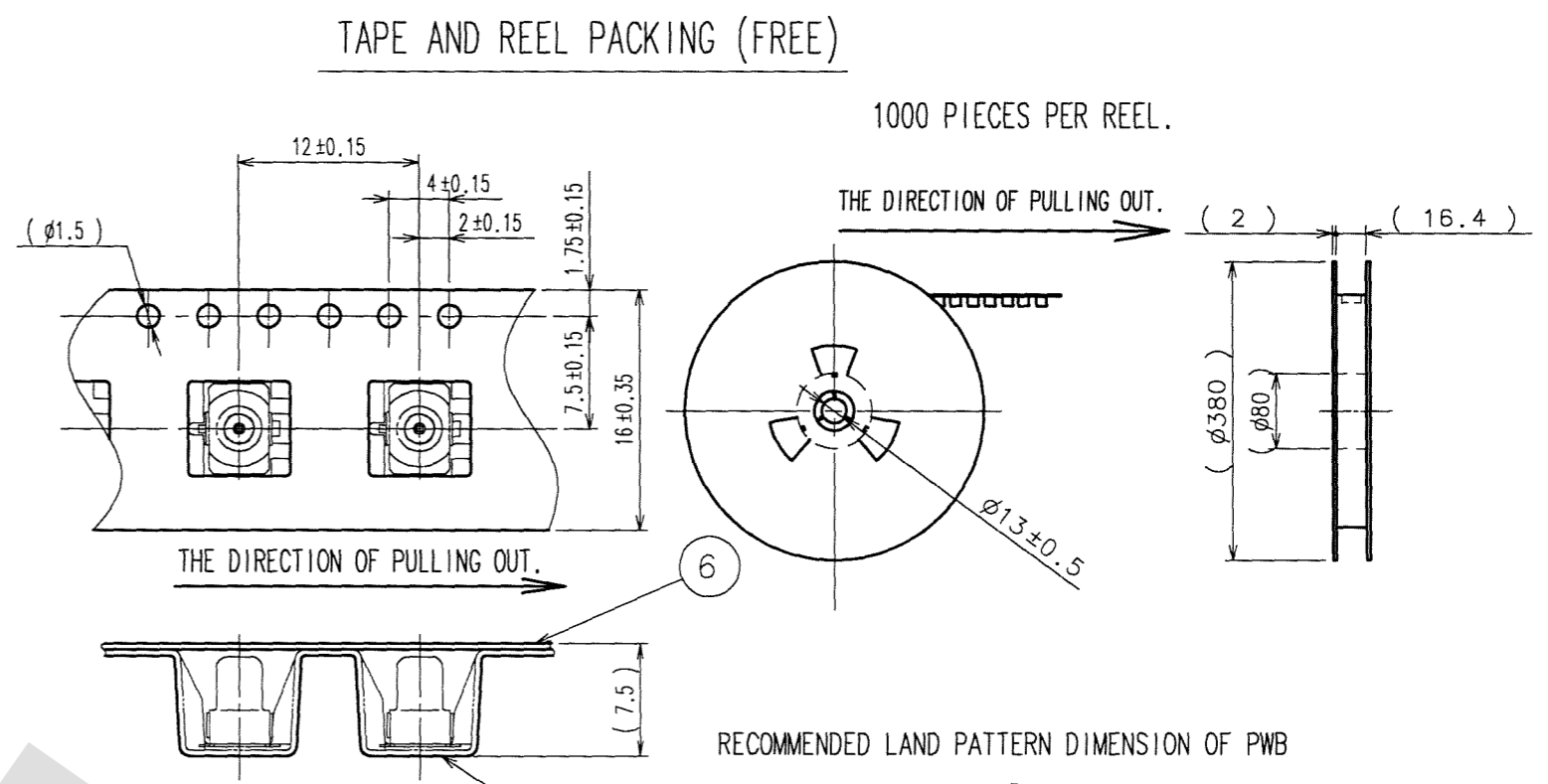
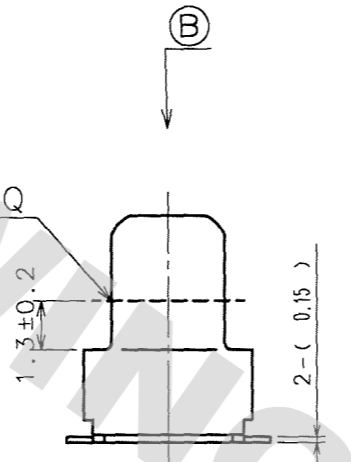
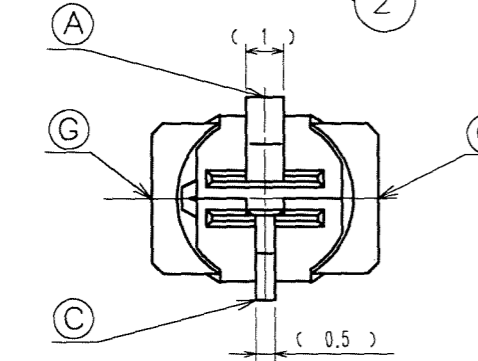
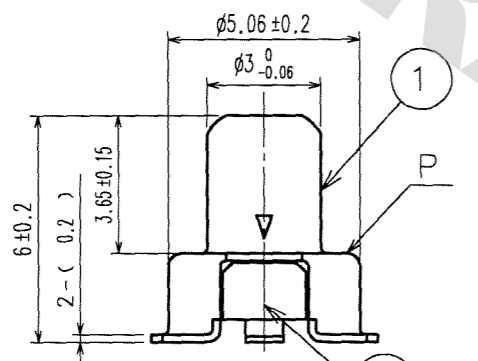
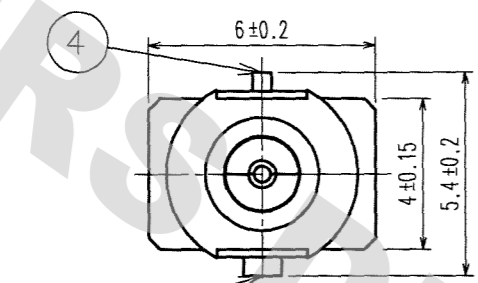


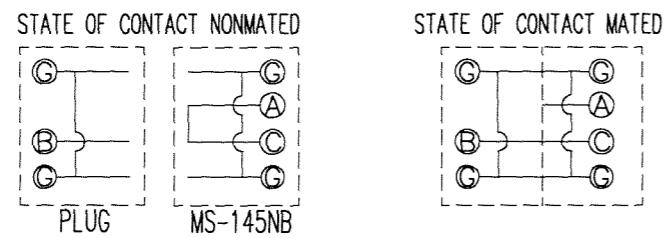
DRAWING FOR REFERENCE: This is subject to change without notice  
08/11/2012

COUNT	DESCRIPTION OF REVISIONS	BY	CHKD	DATE	COUNT	DESCRIPTION OF REVISIONS	BY	CHKD	DATE
△					△				
△					△				
△					△				



NOTE 1. USE THIS PRODUCT WITH MS-145-HRMJ/MS-145-HRMP-A/MS-145-C(LP)-A/MS-145-C(LP)-1 AND EQUIVALENT CONTACT MATED.  
 FOR THE USE OF MS-145-HRMJ, MS-145-C(LP)-A AND EQUIVALENT, PUSH THEM ON THE POSITION P.  
 FOR THE USE OF MS-145-C(LP)-1, PUSH THIS ON THE POSITION Q.  
 POSITION Q MUST BE NOMINAL STOP POSITION AS YOUR SET DESIGN.  
 USE WITH THE STRUCTURE WHICH ALWAYS KEEP IN TOUCH TO THE POSITION P OR Q, OR WITH LOCK STRUCTURE.

2. COAXIAL SWITCH CIRCUIT SHALL BE AS FOLLOWS:



3. LEAD CO-PLANARITY TO BE 0.15 MAX.  
 4. THIS PRODUCT IS IMPOSSIBLE TO WASH.  
 5. AVOID SHOCKING TO THIS PRODUCT DIRECTLY.

3	BERYLLIUM COPPER	OTHERS: NICKEL PLATING SMT AREA: GOLD PLATING CONTACT AREA: GOLD PLATING	6	PS-E	TOP COVER TAPE
2	POLYAMIDE	BLACK UL94HB	5	PS-E	EMBOSSSED CARRIER TAPE
1	PHOSPHOR BRONZE	GOLD PLATING	4	BERYLLIUM COPPER	OTHERS: NICKEL PLATING SMT AREA: GOLD PLATING CONTACT AREA: GOLD PLATING
NO.	MATERIAL	FINISH, REMARKS	NO.	MATERIAL	FINISH, REMARKS

CODE NO. (OLD)	DRAWN	DESIGNED	CHECKED	APPROVED	RELEASED
	<i>Y. Matano</i> '06.5.16	<i>Y. Matano</i> '06.5.16	<i>R. Kanno</i> '06.5.17	<i>H. Kawamura</i> '06.5.17	

SCALE	DRAWING NO.	PART NO.
5 : 1	EDC3-180563	MS-145NB
UNITS	CODE NO.	
mm	CL358-0223-7	1/1

**HRS** HIROSE ELECTRIC CO., LTD.

## X-ON Electronics

Largest Supplier of Electrical and Electronic Components

*Click to view similar products for [RF Connectors / Coaxial Connectors](#) category:*

*Click to view products by [Hirose](#) manufacturer:*

Other Similar products are found below :

[8915-1511-000](#) [89674-0827](#) [6001-7071-019](#) [6002-7051-003](#) [6002-7551-202](#) [6059674-1](#) [619550-1](#) [630059-000](#) [M39030/3-01N](#) [6500-7071-046](#) [6769](#) [CX050L2AQ](#) [7002-1542-011](#) [7004-1512-000](#) [7009-1511-004](#) [7010-1511-000](#) [7029-1511-060](#) [7101-1541-010](#) [7101-1571-002](#) [7105-1521-002](#) [7145-1521-002](#) [7203-1571-003](#) [7209-1511-011](#) [7210-1511-015](#) [7210-1511-019](#) [73137-5015](#) [73216-2241](#) [7325-1512-000](#) [73404-2300](#) [7405-1521-005](#) [7405-1521-802](#) [7406-1521-005](#) [8527](#) [8547](#) [FS11V](#) [8808-1511-001](#) [9049-9513-000](#) [9074-9513-000](#) [9101-9573-002](#) [910A205F](#) [9130-9573-002](#) [PL11SC-026](#) [PL375-33](#) [PL40-5](#) [PL71-9](#) [PL74C-221](#) [PL75MC-217](#) [PL803-7](#) [980-8666-005](#) [1200690078](#)