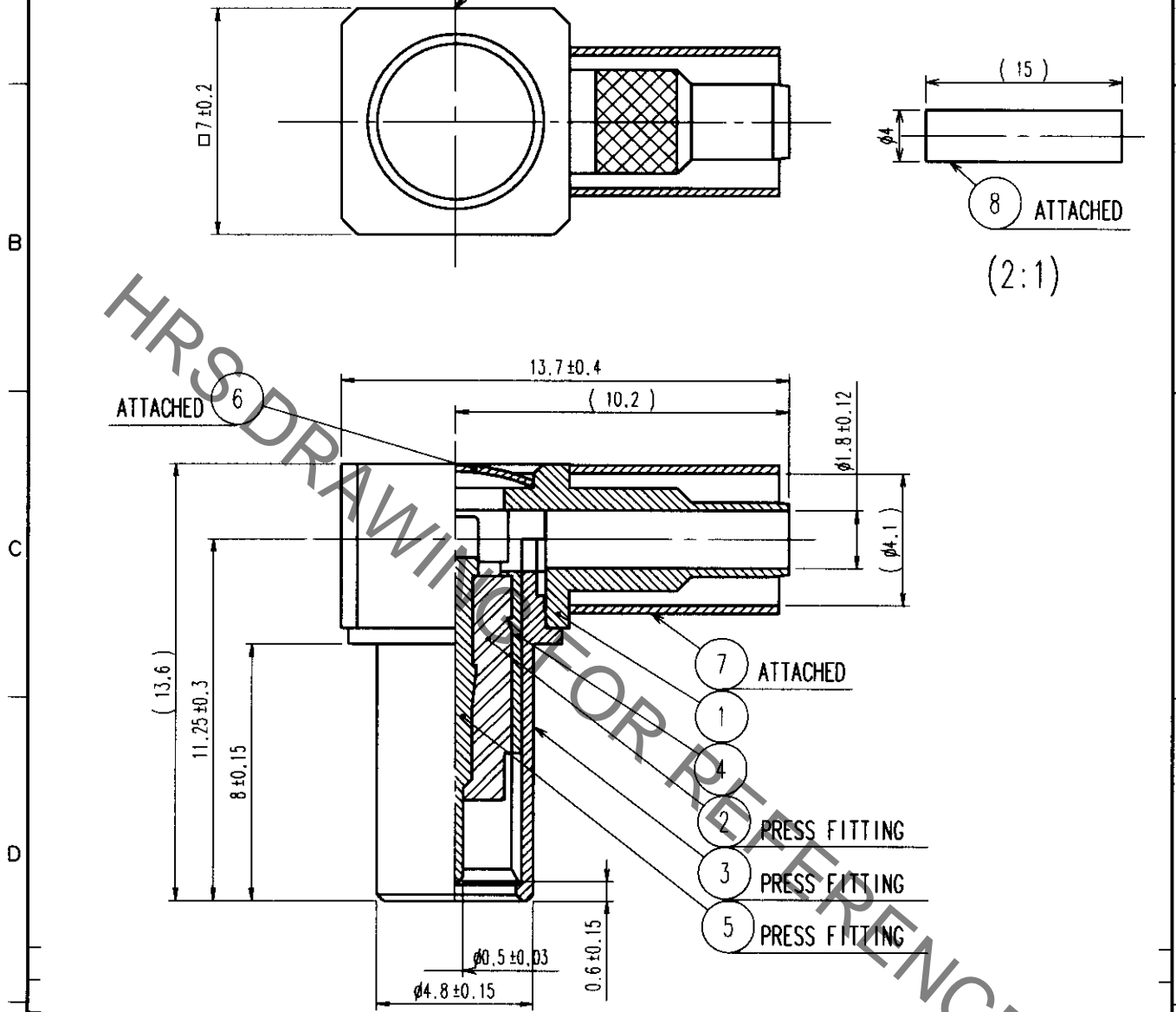


Sep. 1. 2021 Copyright 2021 HIROSE ELECTRIC CO., LTD. All Rights Reserved.
In case of consideration for using Automotive equipment / device which demand high reliability, kindly contact our sales window correspondents.

COUNT	DESCRIPTION OF REVISIONS	BY	CHKD	DATE	COUNT	DESCRIPTION OF REVISIONS	BY	CHKD	DATE
1	RE-J-01696	K.HIDAKAWA		01.4.16					

ASSEMBLY PROCEDURE : ETAD-J0025 1

ASSEMBLY TOOL : FOR THE OUTER CONTACT PO-P-2-T
FOR THE COVER UM-T-1



NOTE 1. USE THIS CONNECTOR WITH MS-147(CL358-0150-5) CONTACT MATED.

2 MARKING HRS

4	PHOSPHOR BRONZE	NICKEL	8	POLYOLEFIN	HEAT SHRINK TUBING
3	PHOSPHOR BRONZE	NICKEL	7	COPPER	NICKEL
2	PTFE		6	BRASS	NICKEL
1	BRASS	NICKEL	5	PHOSPHOR BRONZE	GOLD
NO.	MATERIAL	FINISH, REMARKS	NO.	MATERIAL	FINISH, REMARKS

CODE NO. (OLD)	DRAWN	DESIGNED	CHECKED	APPROVED	RELEASED
	K.HIDA	K.HIDA	R.KANO	Y.MIYAKE	
	00.2.17	00.2.17	00.2.17	00.2.17	

 SACLE 5: 1 UNITS mm	DRAWING NO. EDC4-180161	PART NO. MS-147-C(LP)-1
	 HIROSE ELECTRIC CO., LTD.	CODE NO. CL358-0155-9

TO
RFD



X-ON Electronics

Largest Supplier of Electrical and Electronic Components

Click to view similar products for [RF Connectors / Coaxial Connectors](#) category:

Click to view products by [Hirose](#) manufacturer:

Other Similar products are found below :

[8915-1511-000](#) [89674-0827](#) [6001-7071-019](#) [6002-7051-003](#) [6002-7551-202](#) [6059674-1](#) [619550-1](#) [630059-000](#) [M39030/3-01N](#) [6500-7071-046](#) [6769](#) [CX050L2AQ](#) [7002-1542-011](#) [7004-1512-000](#) [7009-1511-004](#) [7010-1511-000](#) [7029-1511-060](#) [7101-1541-010](#) [7101-1571-002](#) [7105-1521-002](#) [7145-1521-002](#) [7203-1571-003](#) [7209-1511-011](#) [7210-1511-015](#) [7210-1511-019](#) [73137-5015](#) [73216-2241](#) [7325-1512-000](#) [73404-2300](#) [7405-1521-005](#) [7405-1521-802](#) [7406-1521-005](#) [8527](#) [8547](#) [FS11V](#) [8808-1511-001](#) [9049-9513-000](#) [9074-9513-000](#) [9101-9573-002](#) [910A205F](#) [9130-9573-002](#) [PL11SC-026](#) [PL375-33](#) [PL40-5](#) [PL71-9](#) [PL74C-221](#) [PL75MC-217](#) [PL803-7](#) [980-8666-005](#) [1200690078](#)