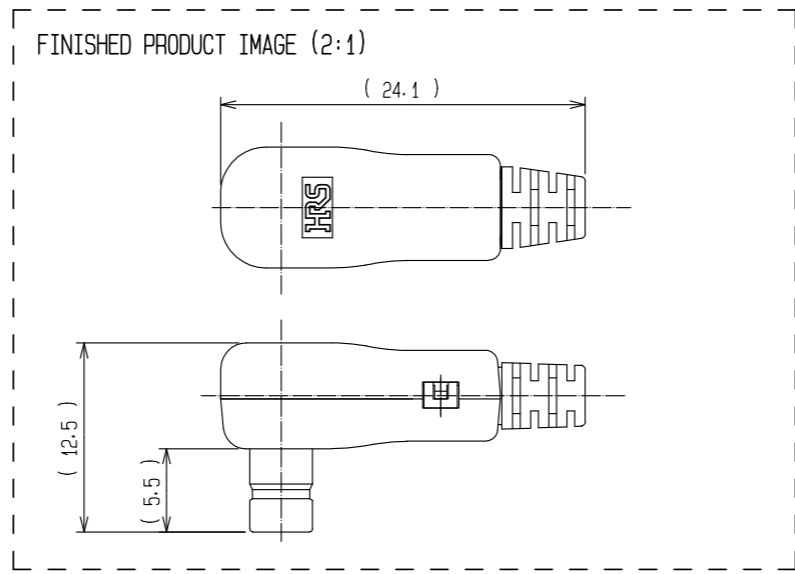
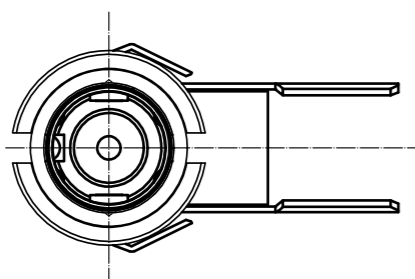
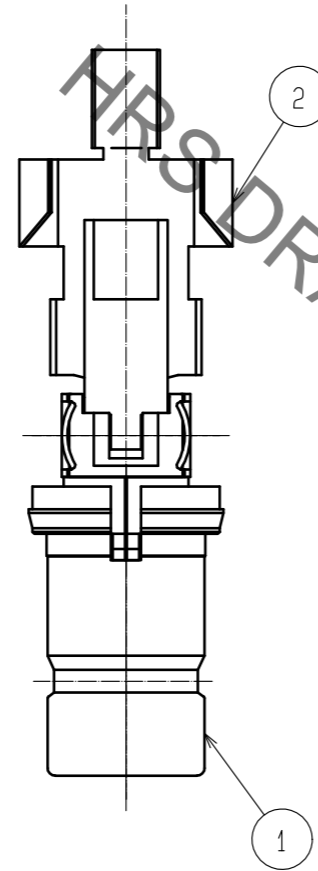
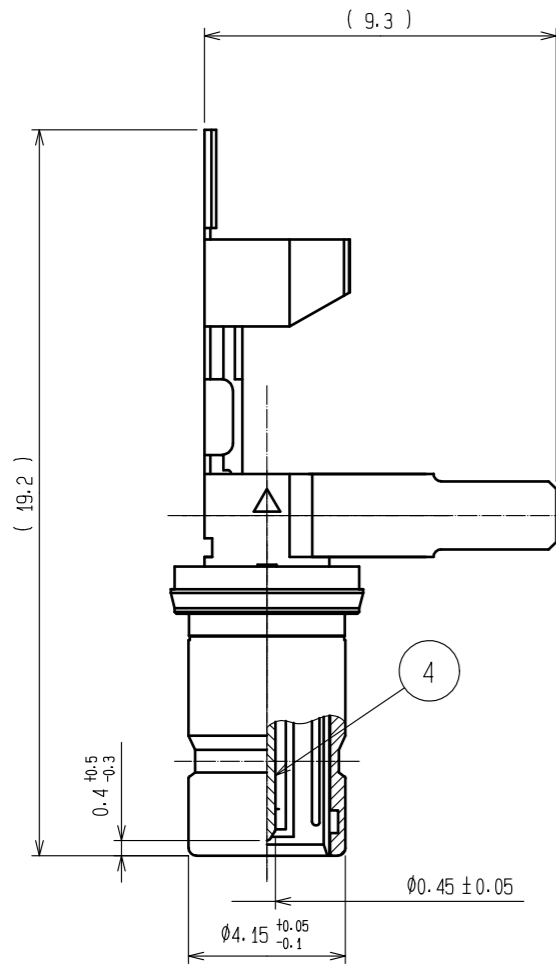
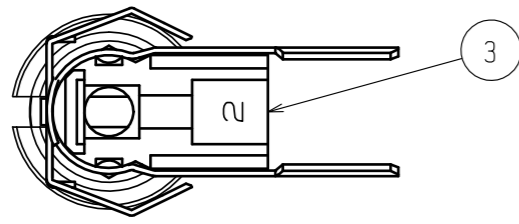
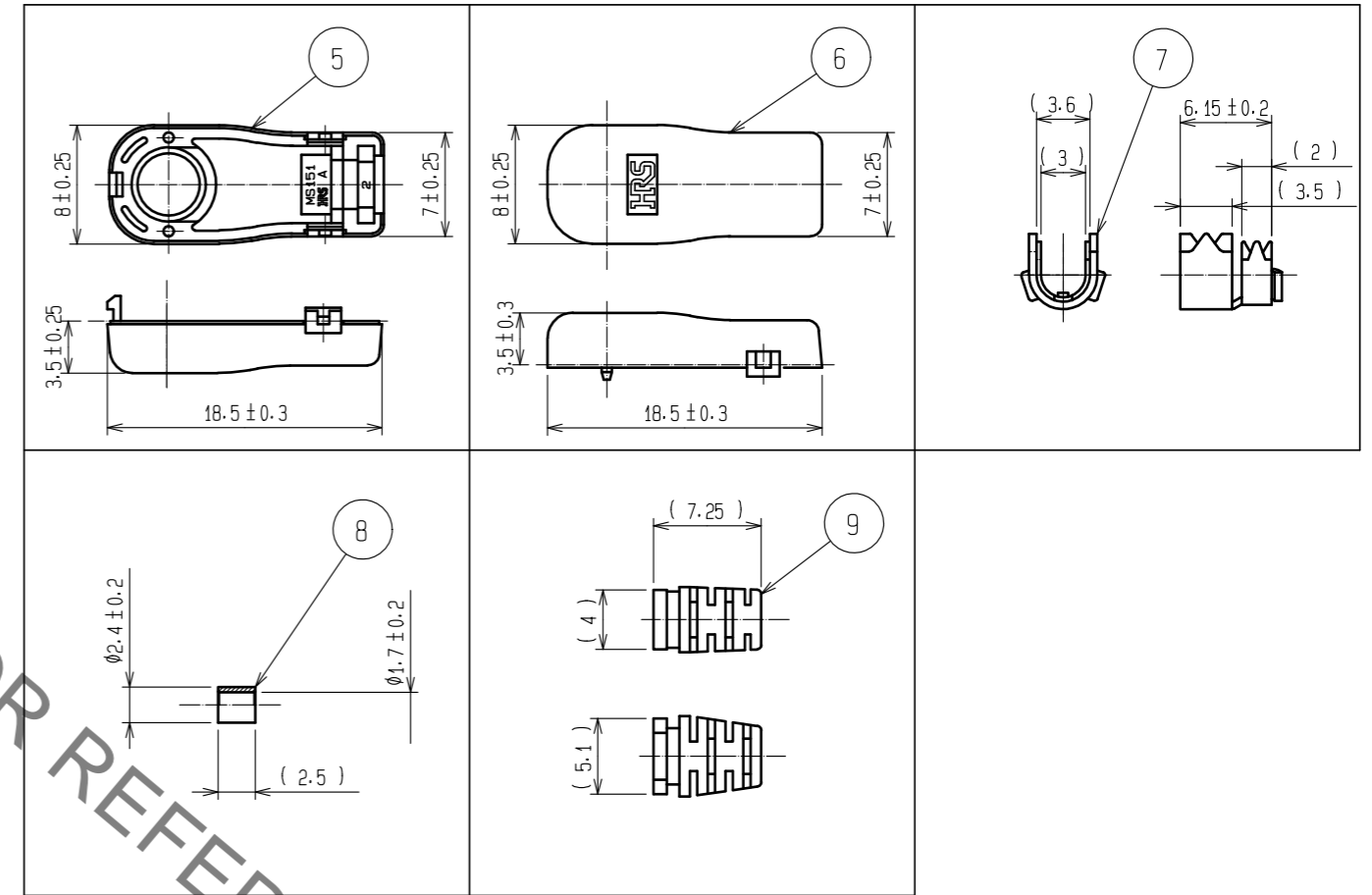


Sep.1.2021 Copyright 2021 HIROSE ELECTRIC CO., LTD. All Rights Reserved. In case of consideration for using Automotive equipment / device which demand high reliability, kindly contact our sales window correspondents.



ATTACHED COMPONENTS (2:1)



Note 1. This connector shall be used by mating with MS-151(CL358-0158-7) After cable assembled and installed into attached components.
 2. For stable supply of this series, material supplier of piece part#5*#6 will be changed during 2019-2022. Please note this change in advance.

NO.	MATERIAL	FINISH .	REMARKS	NO.	MATERIAL	FINISH .	REMARKS
4	PHOSPHOR BRONZE	GOLD PLATED		9	POLYESTER		
3	POLYAMIDE			8	STAINLESS STEEL	NICKEL PLATED	
2	PHOSPHOR BRONZE	NICKEL PLATED		7	BRASS		
1	STAINLESS STEEL	NICKEL PLATED		6	PC		
				5	PC		

UNITS	SCALE	COUNT	DESCRIPTION OF REVISIONS	DESIGNED	CHECKED	DATE
mm	5 : 1	2	DIS-D-00004079	MK. INOUE	NK. NINOMIYA	20190527

APPROVED	: KJ. KAWAMURA	20050105	DRAWING NO.	EDC-180190-00-00
CHECKED	: RZ. KANO	20050105	PART NO.	MS-151-C(LP)
DESIGNED	: KH. HIDA	20050105	CODE NO.	CL358-0160-9-00
DRAWN	: KH. HIDA	20050105		

X-ON Electronics

Largest Supplier of Electrical and Electronic Components

Click to view similar products for [RF Connectors / Coaxial Connectors](#) category:

Click to view products by [Hirose](#) manufacturer:

Other Similar products are found below :

[8915-1511-000](#) [89674-0827](#) [6001-7071-019](#) [6002-7051-003](#) [6002-7551-202](#) [6059674-1](#) [619550-1](#) [630059-000](#) [M39030/3-01N](#) [6500-7071-046](#) [6769](#) [CX050L2AQ](#) [7002-1542-011](#) [7004-1512-000](#) [7009-1511-004](#) [7010-1511-000](#) [7029-1511-060](#) [7101-1541-010](#) [7101-1571-002](#) [7105-1521-002](#) [7145-1521-002](#) [7203-1571-003](#) [7209-1511-011](#) [7210-1511-015](#) [7210-1511-019](#) [73137-5015](#) [73216-2241](#) [7325-1512-000](#) [73404-2300](#) [7405-1521-005](#) [7405-1521-802](#) [7406-1521-005](#) [8527](#) [8547](#) [FS11V](#) [8808-1511-001](#) [9049-9513-000](#) [9074-9513-000](#) [9101-9573-002](#) [910A205F](#) [9130-9573-002](#) [PL11SC-026](#) [PL375-33](#) [PL40-5](#) [PL71-9](#) [PL74C-221](#) [PL75MC-217](#) [PL803-7](#) [980-8666-005](#) [1200690078](#)