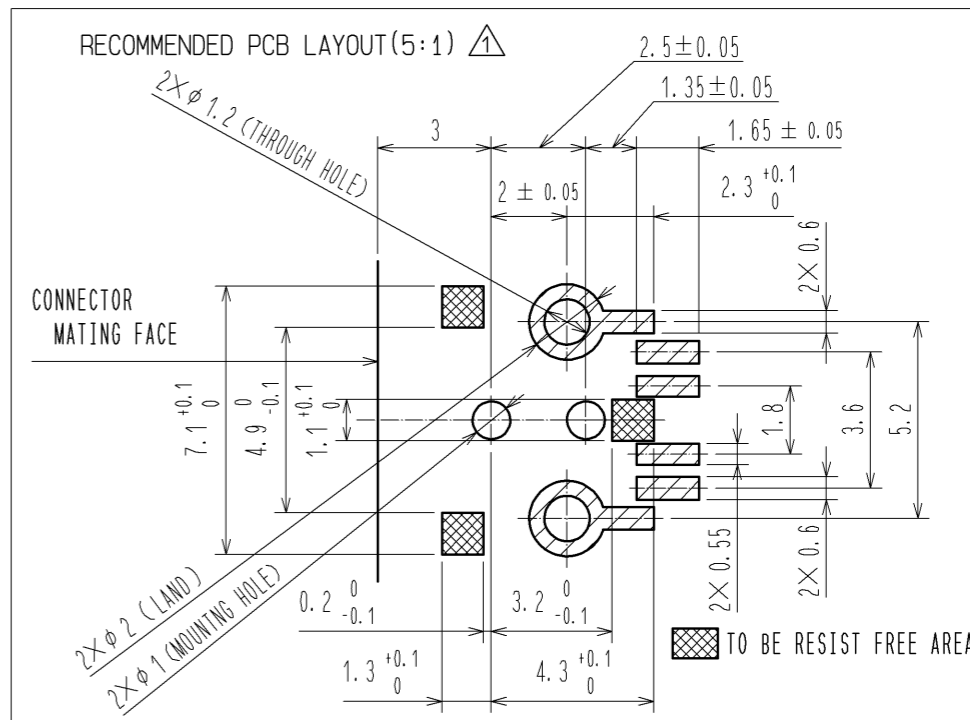
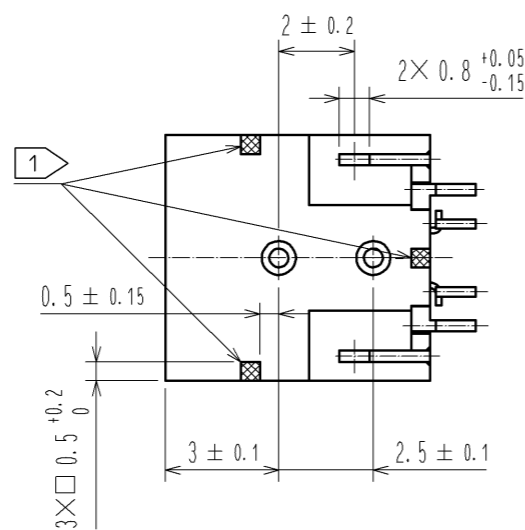
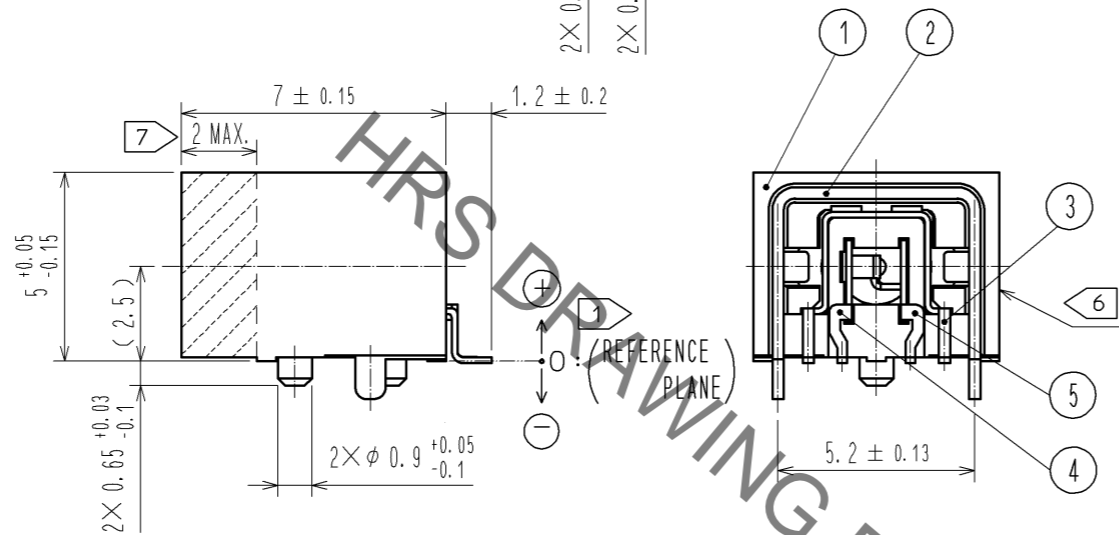
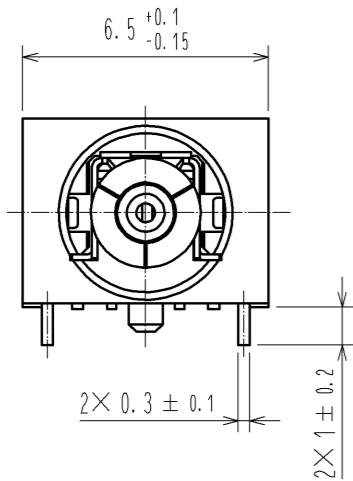
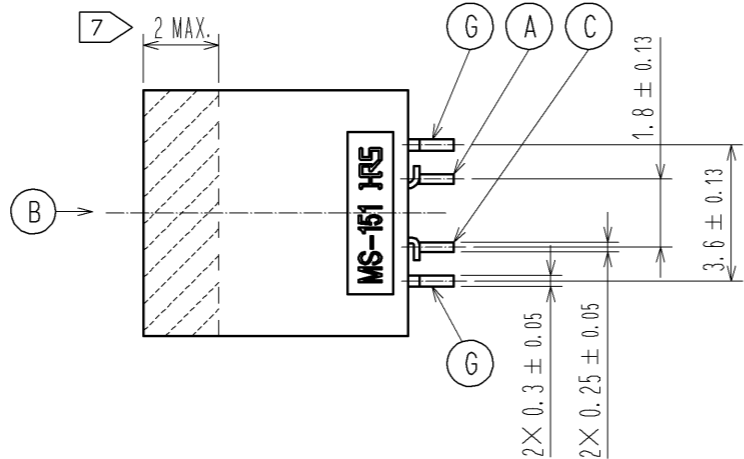
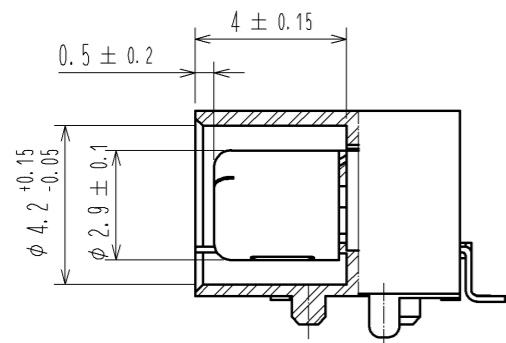


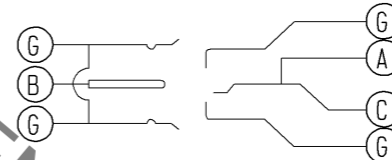
Sep.1.2021 Copyright 2021 HIROSE ELECTRIC CO., LTD. All Rights Reserved.
In case of consideration for using Automotive equipment / device which demand high reliability, kindly contact our sales window correspondents.

MATING FACE DIMENSIONS

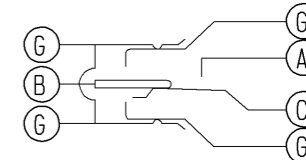


- NOTE 1 IS REFERENCE PLANE FOR PCB MOUNTING.
SMT READ COPLANARITY SHALL BE $-0.05^{+0.03}_{-0.07}$ FOR REFERENCE PLANE.
2. USE THIS PRODUCT WITH MS-151-C(LP) AND EQUIVALENT CONTACT MATED.
3. COAXIAL SWITCH CIRCUIT SHALL BE AS FOLLOWS.

STATE OF CONTACT NONMATED
(N.C: NORMAL CLOSE)



STATE OF CONTACT MATED
(N.O: NORMAL OPEN)

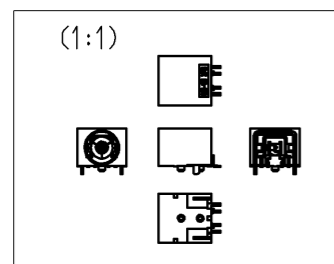
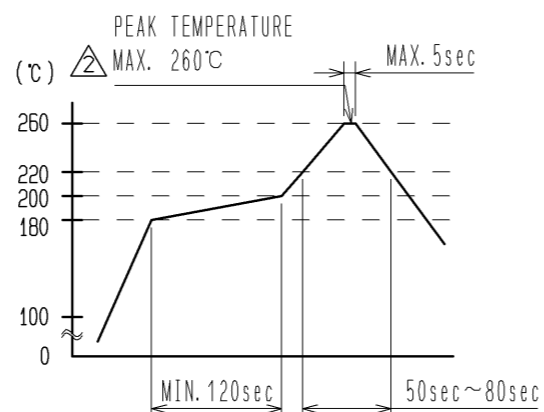


4. THIS PRODUCT IS IMPOSSIBLE TO WASH.
5. USE 0.15mm THICK METAL MASK.

6 LOT NO. IS MARKED ON THE SPECIFIED SURFACE.

7 FIX THE CONNECTOR WITH DEVICE CHASSIS AT THE AREA WITHIN 2mm FROM THE OPENING .

SPECIFIED REFLOW TEMPERATURE PROFILE FOR LEAD-FREE SOLDER



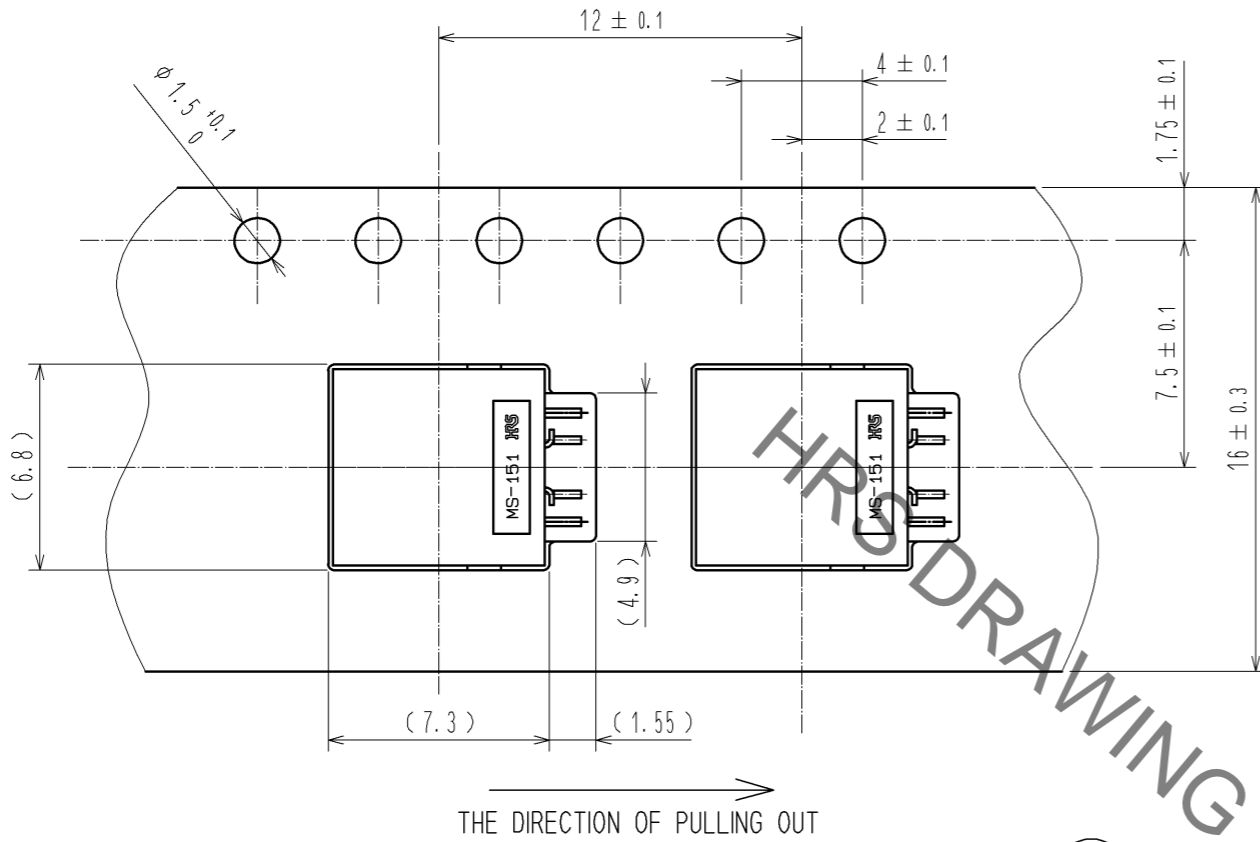
RoHS COMPLIANT

HALOGEN FREE COMPLIANT

3	PHOSPHOR BRONZE	SELECTIVE GOLD PLATING	7	PET	
2	STAINLESS STEEL	SELECTIVE GOLD PLATING	6	PS	
1	PA-M		5	PHOSPHOR BRONZE	SELECTIVE GOLD PLATING
			4	BERYLLIUM COPPER	SELECTIVE GOLD PLATING
部番	材 質	処 理 , 備 考	部番	材 質	処 理 , 備 考
UNITS mm		SCALE 5 : 1	△の数 1	訂 正 記 事 DIS-D-003425	設 計 RO. FURUYAMA
HRS HIROSE ELECTRIC CO., LTD.		承 認 : MH. YAMANE 14. 01. 27	検 査 : NK. NINOMIYA 14. 01. 27	設 計 : TS. NAKAGAWA 14. 01. 23	製 図 : TS. NAKAGAWA 14. 01. 23
			図番 :	EDC3-353753-00	
			製品名 :	MS-151NB-1	
			製品コード :	CL358-0345-4-00	
					年月日 14. 09. 30
					検 査 NK. NINOMIYA
					年 月 日 14. 09. 30
					1/2

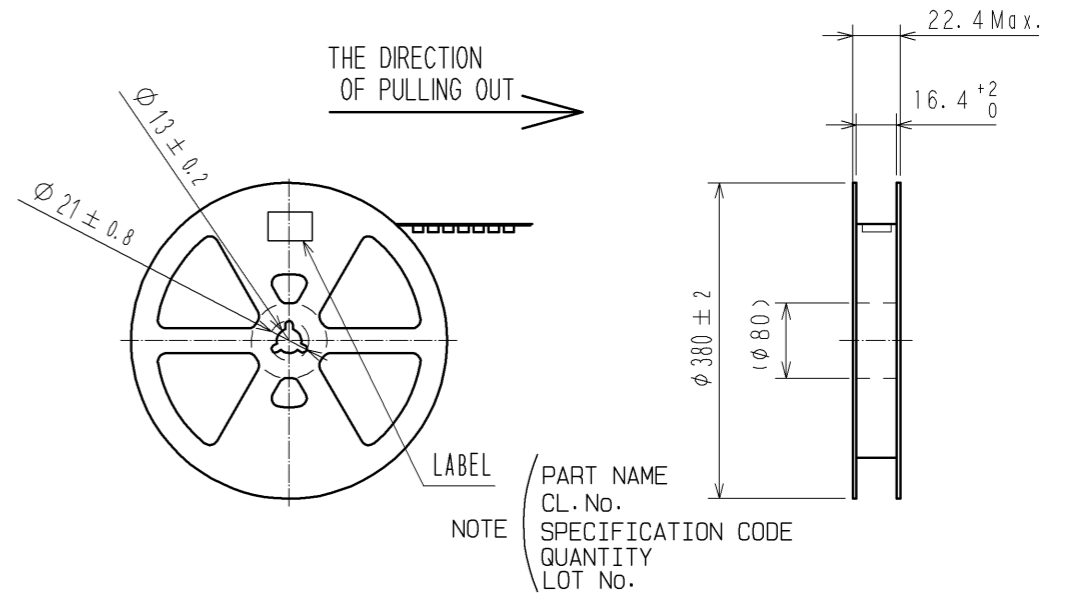
Sep.1.2021 Copyright 2021 HIROSE ELECTRIC CO., LTD. All Rights Reserved.
In case of consideration for using Automotive equipment / device which demand high reliability, kindly contact our sales window correspondents.

TAPE AND REEL PACKING(4:1)

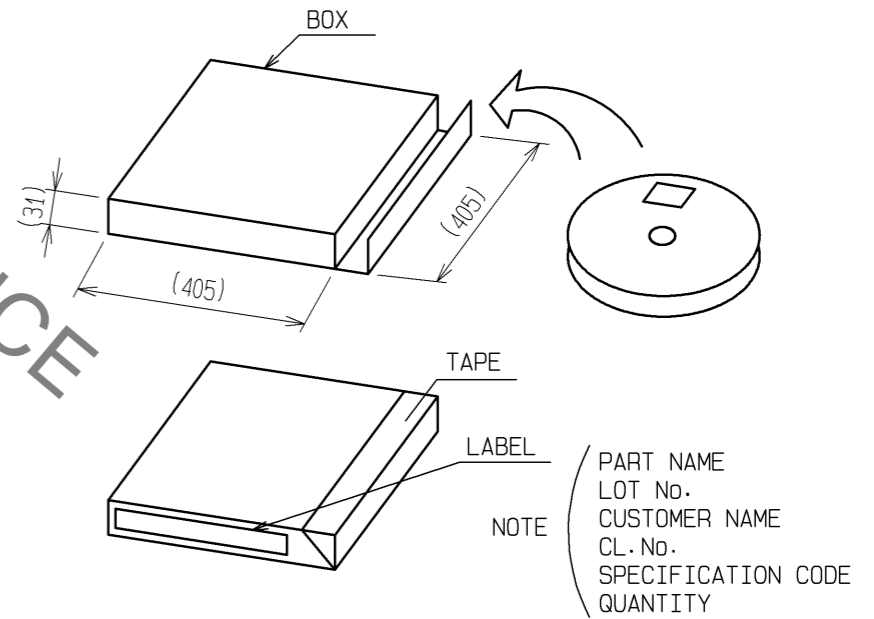


REEL DIMENSIONS (FREE)

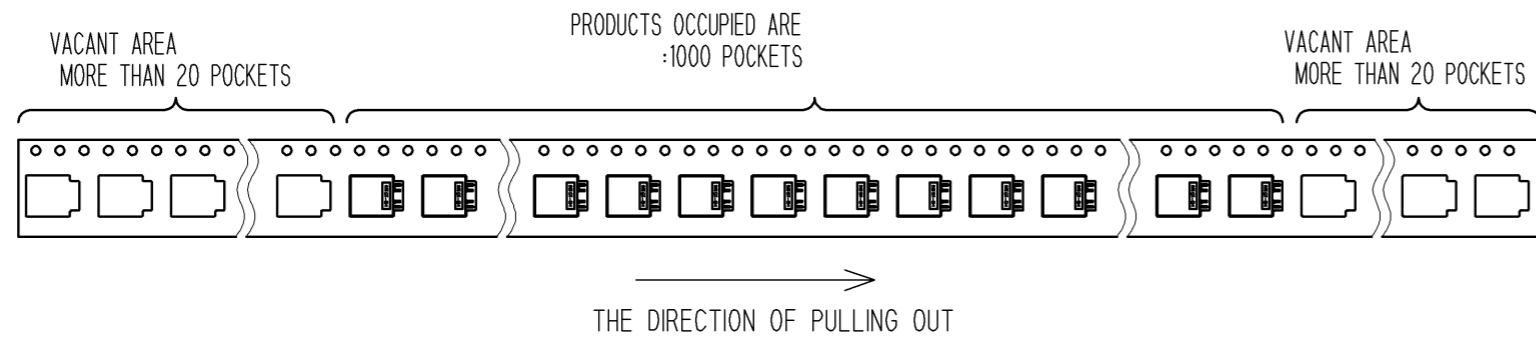
1000 PCS PER REEL



OUTER PACKAGING CASE (FREE)



PACKAGING SPECIFICATION(FREE)



HRS	図番:	EDC3-353753-00	2/2
	製品名:	MS-151NB-1	
	製品コード:	CL358-0345-4-00	

X-ON Electronics

Largest Supplier of Electrical and Electronic Components

Click to view similar products for [RF Connectors / Coaxial Connectors](#) category:

Click to view products by [Hirose](#) manufacturer:

Other Similar products are found below :

[8915-1511-000](#) [89674-0827](#) [6001-7071-019](#) [6002-7051-003](#) [6002-7551-202](#) [6059674-1](#) [619550-1](#) [630059-000](#) [M39030/3-01N](#) [6500-7071-046](#) [6769](#) [CX050L2AQ](#) [7002-1542-011](#) [7004-1512-000](#) [7009-1511-004](#) [7010-1511-000](#) [7029-1511-060](#) [7101-1541-010](#) [7101-1571-002](#) [7105-1521-002](#) [7145-1521-002](#) [7203-1571-003](#) [7209-1511-011](#) [7210-1511-015](#) [7210-1511-019](#) [73137-5015](#) [73216-2241](#) [73404-2300](#) [7405-1521-005](#) [7405-1521-802](#) [8527](#) [8547](#) [FS11V](#) [8808-1511-001](#) [9049-9513-000](#) [9074-9513-000](#) [9101-9573-002](#) [910A205F](#) [9130-9573-002](#) [PL11SC-026](#) [PL375-33](#) [PL40-5](#) [PL74C-221](#) [PL75MC-217](#) [PL803-7](#) [980-8666-005](#) [1200690078](#) [1-201144-1](#) [R107003010W](#) [R110A172100](#)