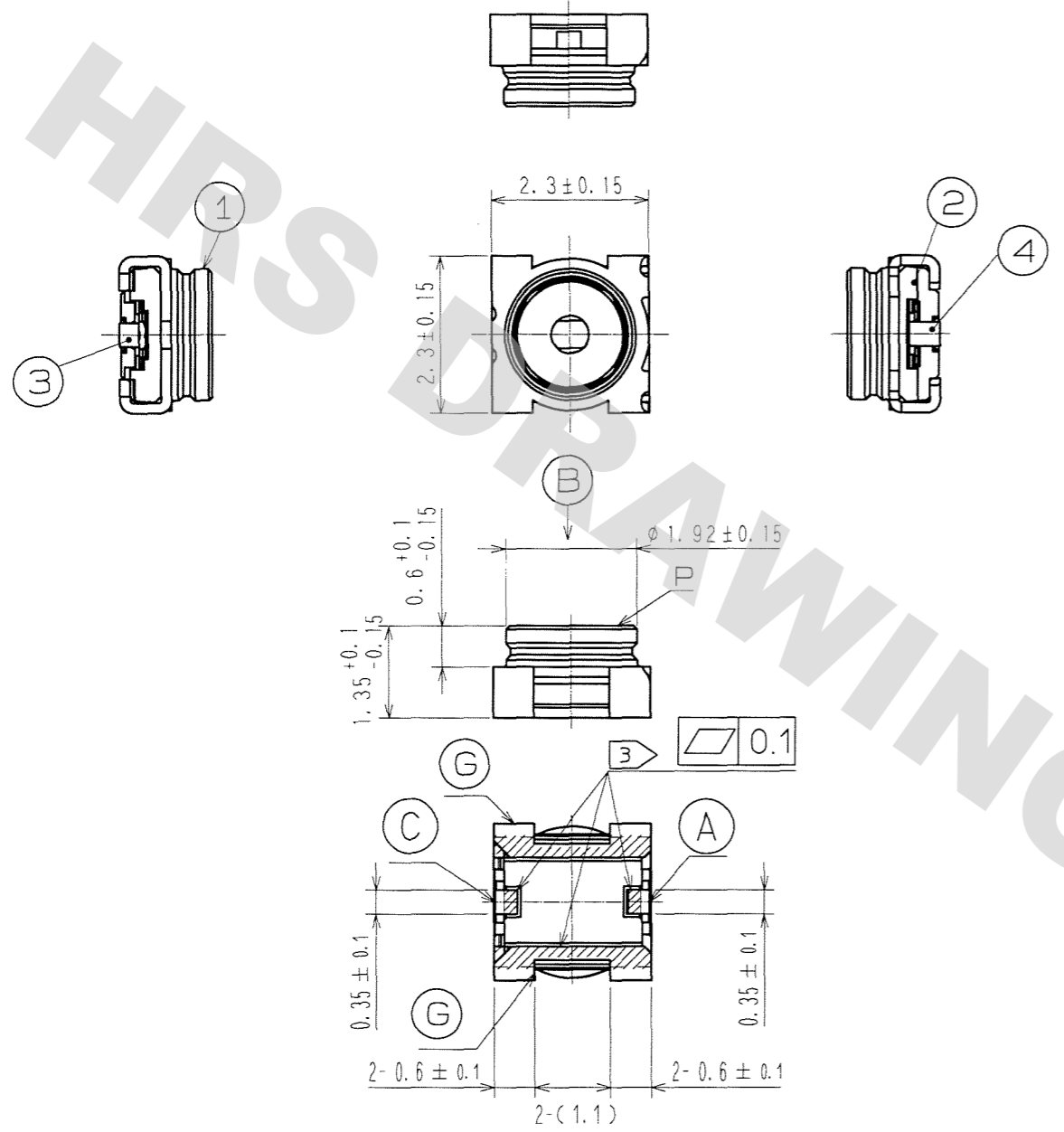
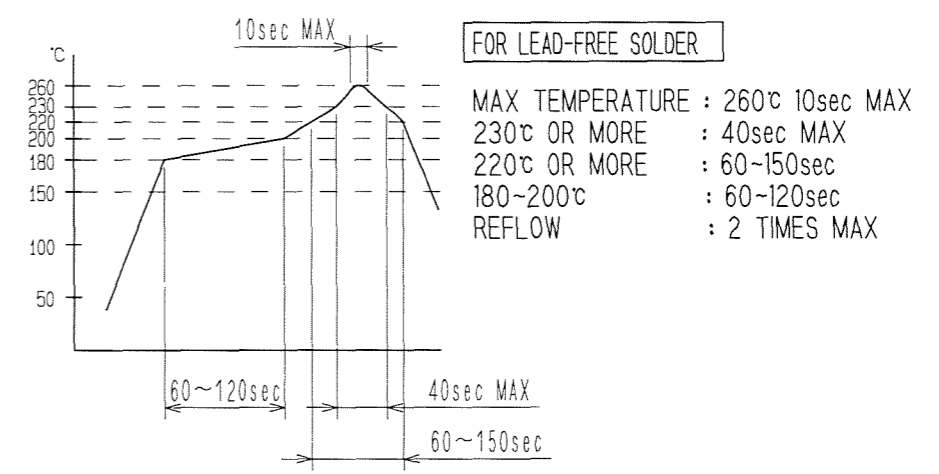
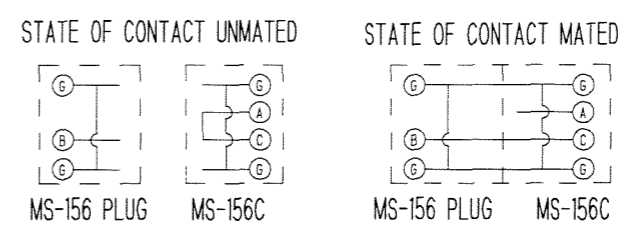


COUNT	DESCRIPTION OF REVISIONS	BY	CHKD	DATE	COUNT	DESCRIPTION OF REVISIONS	BY	CHKD	DATE
3	DIS-J-000791	T.N	T.O	07.12.14					..
1	DIS-J-000934	T.N	T.O	08.12.19					..

RECOMMENDED REFLOW TEMPERATURE PROFILE



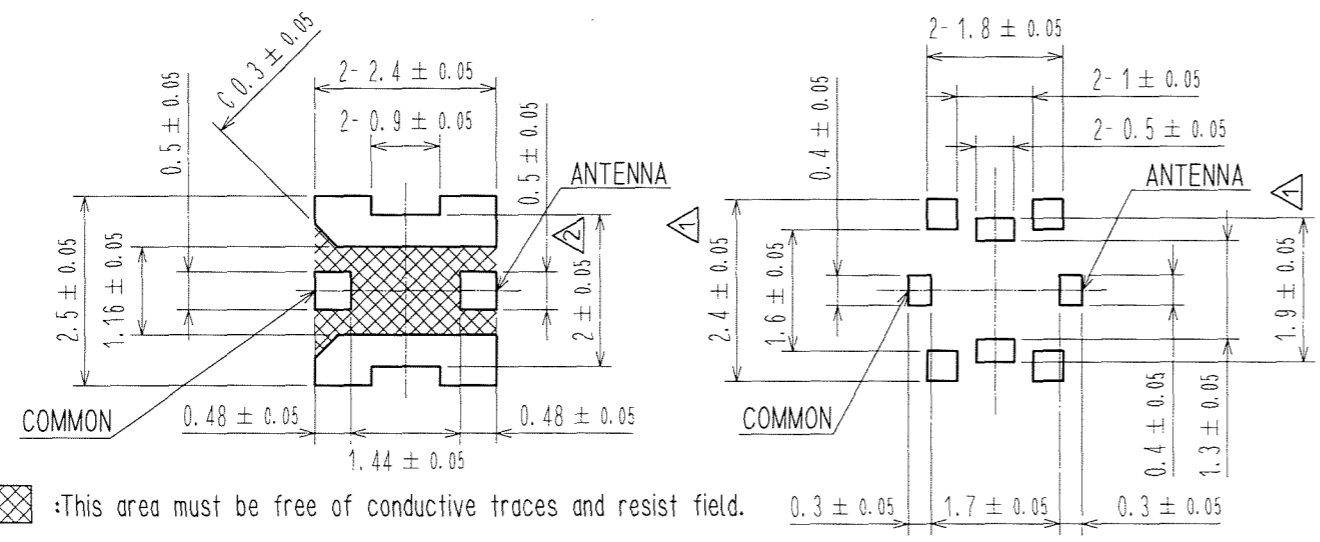
NOTE 1. Circuit shall be as follows.



- For use of this product, be sure to put contact area of plug on position P perpendicularly.
- Lead co-planarity is to be 0.1mm MAX.
- Do not use the washing process.
- Please do not change the specified layout of the PCB dimension and the layout of the stencil plate dimension and thickness otherwise could not be responsible for the solderability of the product.
- This product is intended to be used for circuit inspection only. Consult us if any other application is considered.
- Do not use hand soldering for mounting of MS-156C.

5 SPECIFIED PCB LAYOUT

5 SPECIFIED STENCIL PLATE THICKNESS: 0.1mm



2	PA-M	4	PHOSPHOR BRONZE	SELECTIVE GOLD PLATING	
1	PHOSPHOR BRONZE	GOLD PLATING	3	CU-NI-SI-ALLOY	SELECTIVE GOLD PLATING
NO.	MATERIAL	FINISH, REMARKS	NO.	MATERIAL	FINISH, REMARKS

CODE NO.(OLD)	DRAWN	DESIGNED	CHECKED	APPROVED	RELEASED
	T. NAKAGAWA '07.10.27	T. NAKAGAWA '07.11.05	T. OZAKI '07.11.05	K. KAWAMURA '07.11.05	

DRAWING NO.	PART NO.
EDC3-180692-01	MS-156C(20)
SCALE	CODE NO.
10 : 1	CL358-0251-2-20
UNITS	
mm	

HRS HIROSE ELECTRIC CO., LTD

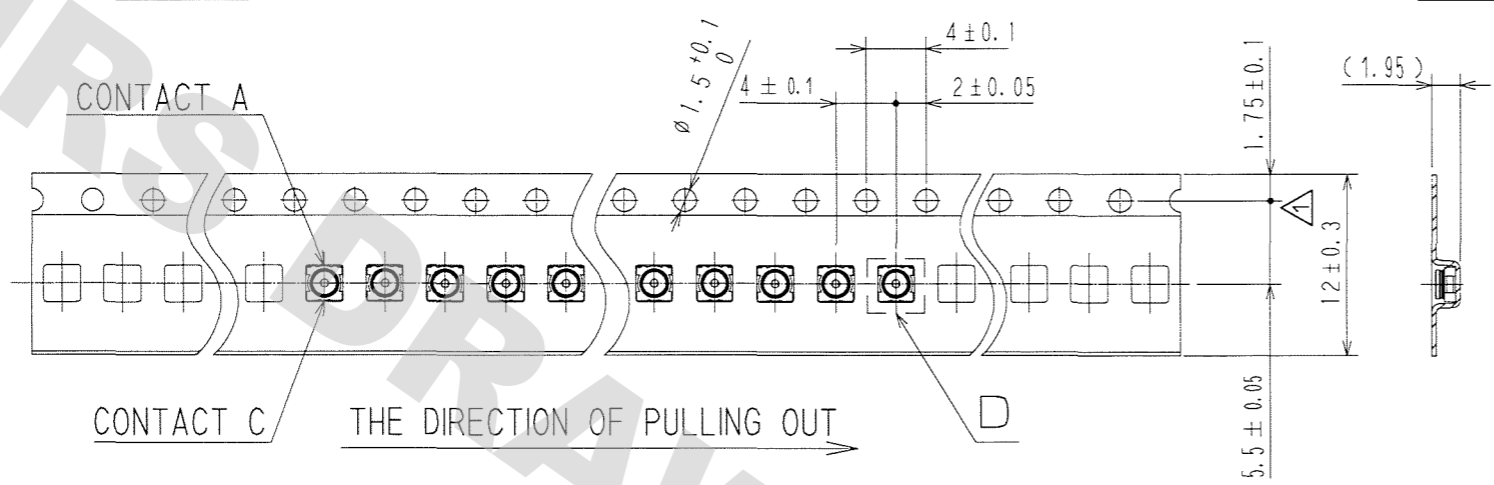
DRAWING FOR REFERENCE: This is subject to change without notice 08/11/2012

TO
RFD

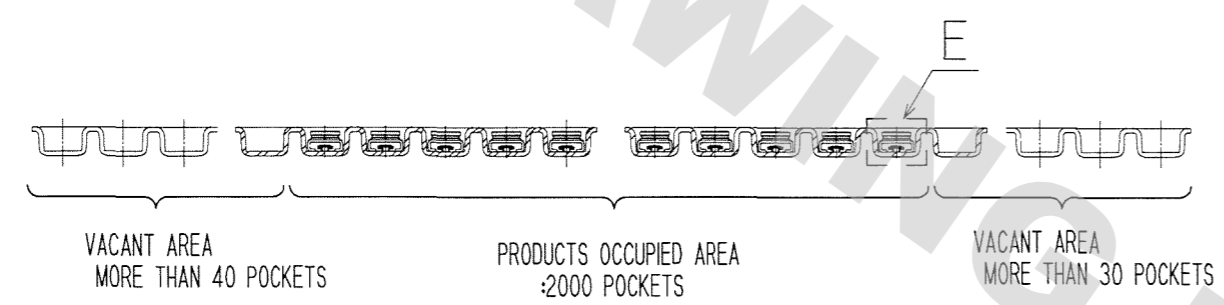
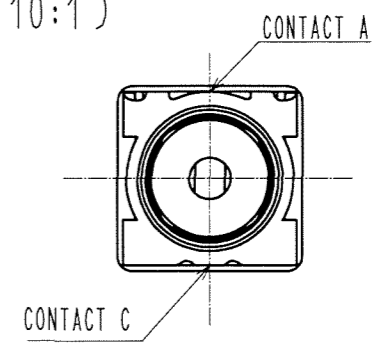
1 2 3 4 5 6 7 8

COUNT	DESCRIPTION OF REVISIONS	BY	CHKD	DATE	COUNT	DESCRIPTION OF REVISIONS	BY	CHKD	DATE
△				..	△				..
△				..	△				..
△				..	△				..

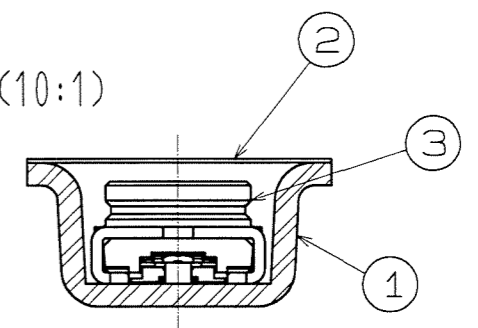
PACKAGING SPECIFICATION



D (10:1)

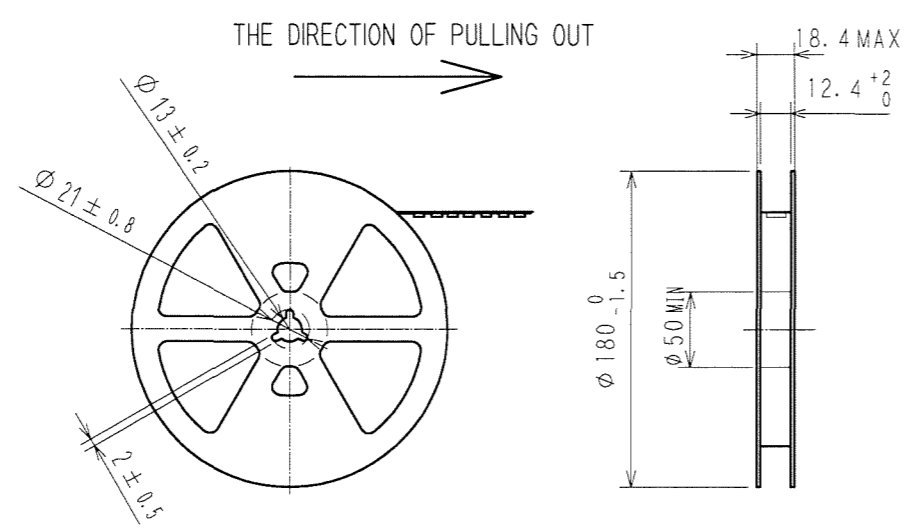


E (10:1)

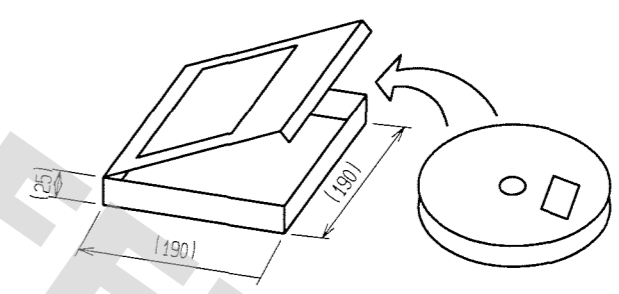


REEL DIMENSIONS(FREE)

2000 PIECES PER REEL



OUTER PACKAGING CASE(FREE)



2	PS		3	MS-156C	
1	PS				
NO.	MATERIAL	FINISH, REMARKS	NO.	MATERIAL	FINISH, REMARKS
CODE NO.(OLD)		DRAWN	DESIGNED	CHECKED	APPROVED
DRAWING FOR PACKING		T. NAKAGAWA '07.10.27	T. NAKAGAWA '07.11.05	T. OZAKI '07.11.05	K. KAWAMURA '07.11.05
DRAWING NO. EDC3-180692-01		PART NO. MS-156C(20)		RELEASD	
SCALE 2 : 1		CODE NO. CL358-0251-2-20		2	
UNITS mm		HRS HIROSE ELECTRIC CO., LTD		FORM NO. 229	

DRAWING FOR REFERENCE: This is subject to change without notice
08/11/2012

TO
RFD

1 2 3 4 5 6 7 8

X-ON Electronics

Largest Supplier of Electrical and Electronic Components

Click to view similar products for [RF Connectors / Coaxial Connectors](#) category:

Click to view products by [Hirose](#) manufacturer:

Other Similar products are found below :

[8915-1511-000](#) [89674-0827](#) [6001-7071-019](#) [6002-7051-003](#) [6002-7551-202](#) [6059674-1](#) [619550-1](#) [630059-000](#) [M39030/3-01N](#) [6500-7071-046](#) [6769](#) [CX050L2AQ](#) [7002-1542-011](#) [7004-1512-000](#) [7009-1511-004](#) [7010-1511-000](#) [7029-1511-060](#) [7101-1541-010](#) [7101-1571-002](#) [7105-1521-002](#) [7145-1521-002](#) [7203-1571-003](#) [7209-1511-011](#) [7210-1511-015](#) [7210-1511-019](#) [73137-5015](#) [73216-2241](#) [7325-1512-000](#) [73404-2300](#) [7405-1521-005](#) [7405-1521-802](#) [7406-1521-005](#) [8527](#) [8547](#) [FS11V](#) [8808-1511-001](#) [9049-9513-000](#) [9074-9513-000](#) [9101-9573-002](#) [910A205F](#) [9130-9573-002](#) [PL11SC-026](#) [PL375-33](#) [PL40-5](#) [PL71-9](#) [PL74C-221](#) [PL75MC-217](#) [PL803-7](#) [980-8666-005](#) [1200690078](#)