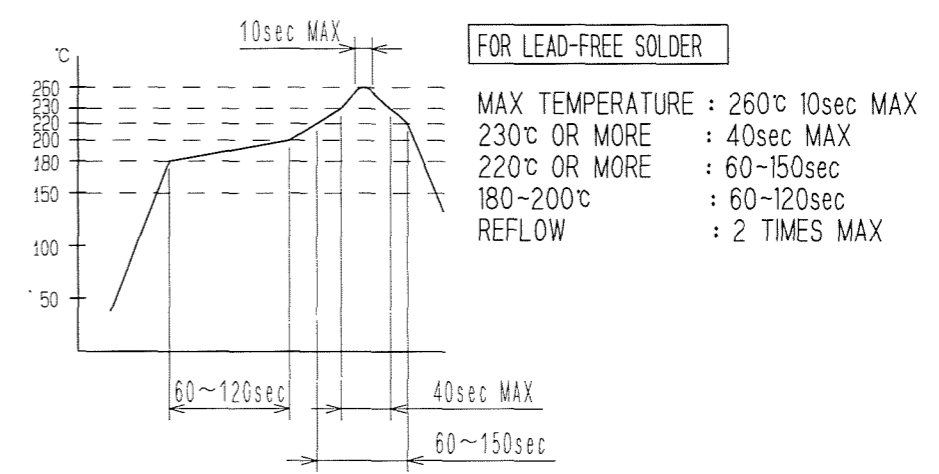
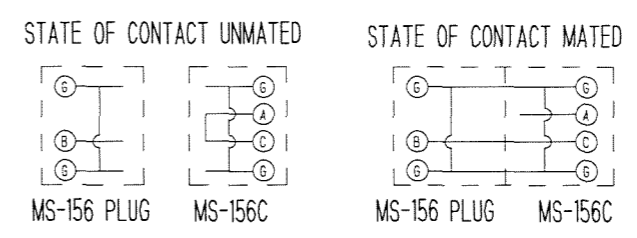


COUNT	DESCRIPTION OF REVISIONS	BY	CHKD	DATE	COUNT	DESCRIPTION OF REVISIONS	BY	CHKD	DATE
3	DIS-J-000791	T. N	T. O	'07.12.14					
1	DIS-J-000934	T. N	T. O	'08.12.19					

RECOMMENDED REFLOW TEMPERATURE PROFILE

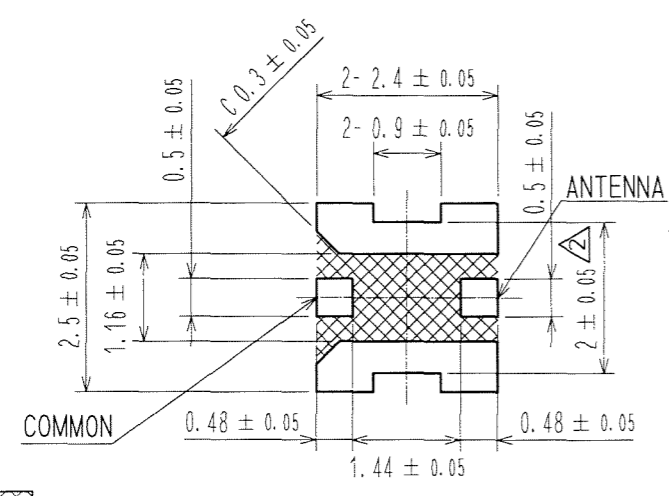


NOTE 1. Circuit shall be as follows.

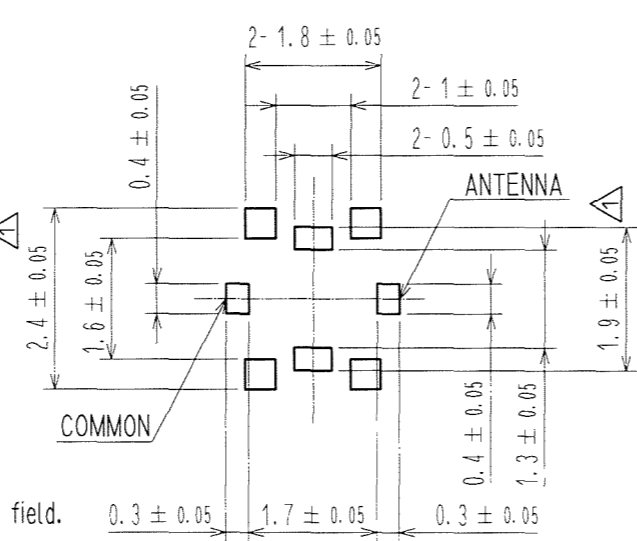


- For use of this product, be sure to put contact area of plug on position P perpendicularly.
- Lead co-planarity is to be 0.1mm MAX.
- Do not use the washing process.
- Please do not change the specified layout of the PCB dimension and the layout of the stencil plate dimension and thickness otherwise could not be responsible for the solderability of the product.
- This product is intended to be used for circuit inspection only. Consult us if any other application is considered.
- Do not use hand soldering for mounting of MS-156C.

SPECIFIED PCB LAYOUT



SPECIFIED STENCIL PLATE THICKNESS: 0.1mm



NO.	MATERIAL	FINISH, REMARKS	NO.	MATERIAL	FINISH, REMARKS
2	PA-M		4	PHOSPHOR BRONZE	SELECTIVE GOLD PLATING
1	PHOSPHOR BRONZE	GOLD PLATING	3	CU-NI-SI-ALLOY	SELECTIVE GOLD PLATING

CODE NO.(OLD)	DRAWN	DESIGNED	CHECKED	APPROVED	RELEASED
	T. NAKAGAWA '07.10.27	T. NAKAGAWA '07.11.05	T. OZAKI '07.11.05	K. KAWAMURA '07.11.05	

DRAWING NO.	PART NO.
EDC3-180692	MS-156C
SCALE	CODE NO.
10 : 1	CL358-0251-2
UNITS	
mm	

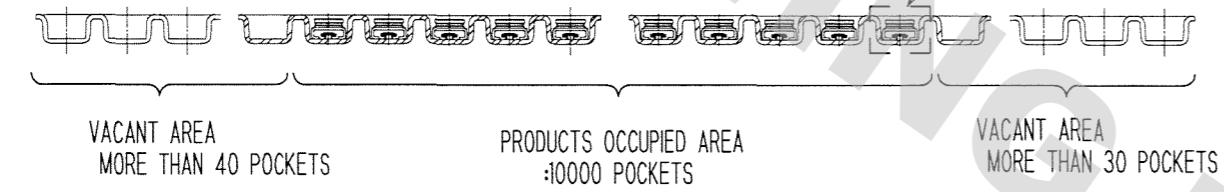
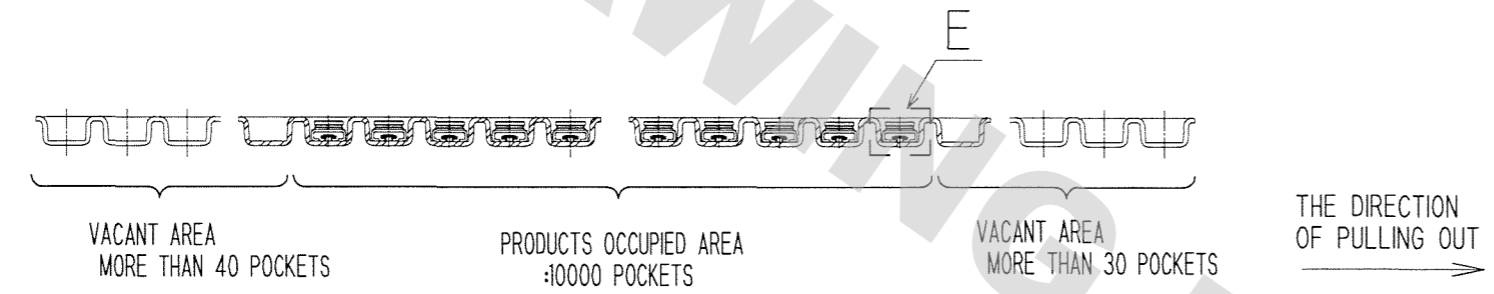
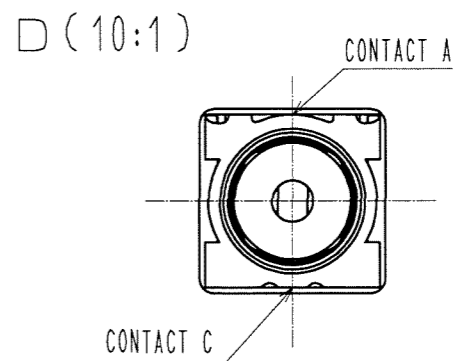
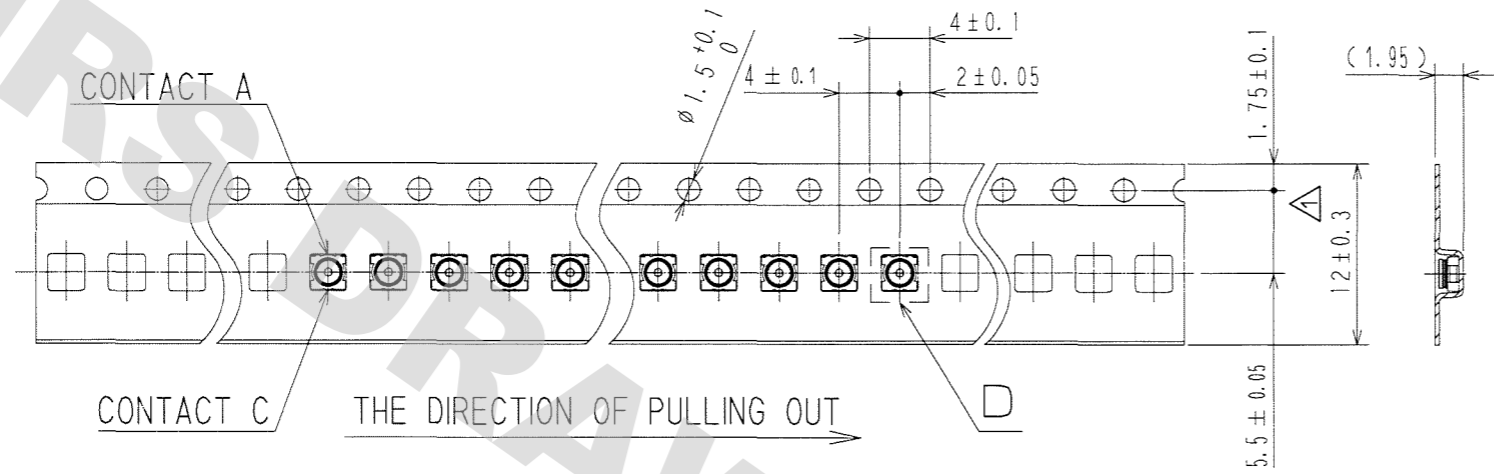
DRAWING FOR REFERENCE: This is subject to change without notice 08/11/2012

TO
RFD

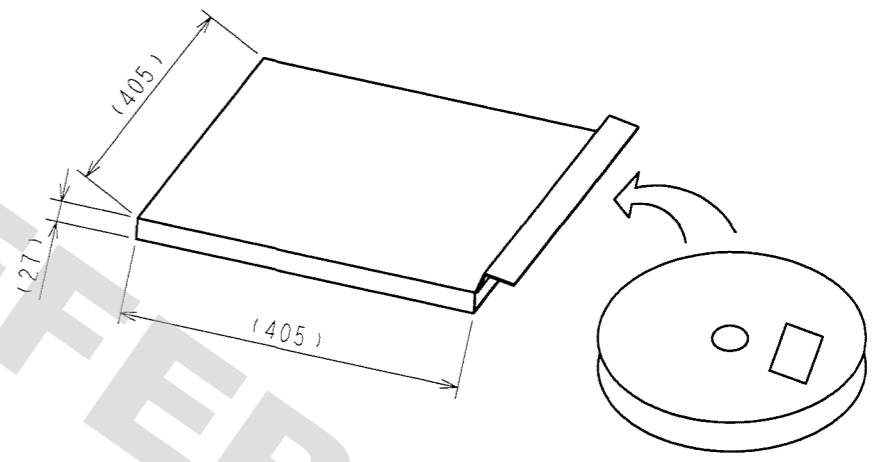
1 2 3 4 5 6 7 8

COUNT	DESCRIPTION OF REVISIONS	BY	CHKD	DATE	COUNT	DESCRIPTION OF REVISIONS	BY	CHKD	DATE
△				..	△				..
△				..	△				..
△				..	△				..

PACKAGING SPECIFICATION

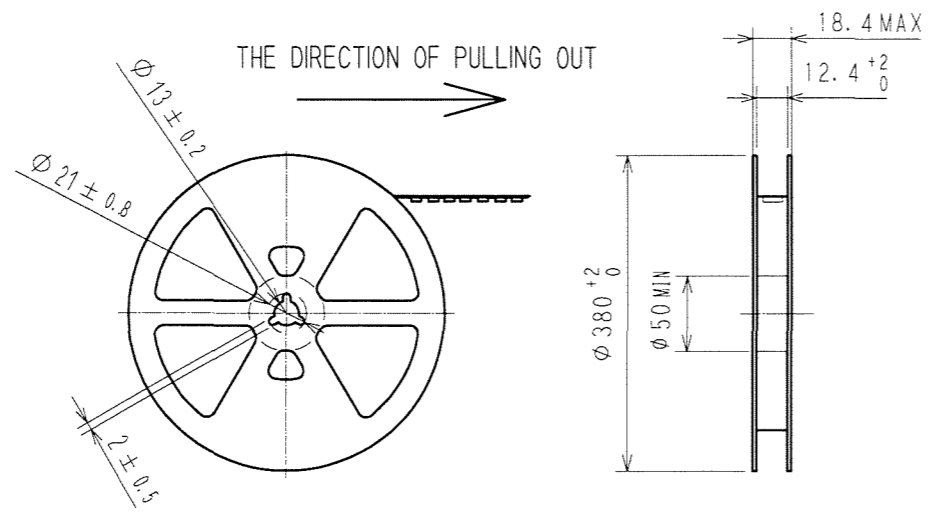


OUTER PACKAGING CASE(FREE)



REEL DIMENSIONS(FREE)

10000 PIECES PER REEL



2	PS								
1	PS				3	MS-156C			
NO.	MATERIAL	FINISH, REMARKS	NO.	MATERIAL	FINISH, REMARKS				
CODE NO.(OLD)			DRAWN	DESIGNED	CHECKED	APPROVED	RELEASED		
DRAWING FOR PACKING			T. NAKAGAWA '07.10.27	T. NAKAGAWA '07.11.05	T. OZAKI '07.11.05	K. KAWAMURA '07.11.05	..		
DRAWING NO. EDC3-180692			PART NO. MS-156C						
SCALE 2 : 1			CODE NO. CL358-0251-2						
UNITS mm			HRS HIROSE ELECTRIC CO., LTD						

DRAWING FOR REFERENCE: This is subject to change without notice
08/11/2012

TO
RFD

1 2 3 4 5 6 7 8 FORM NO. 229

X-ON Electronics

Largest Supplier of Electrical and Electronic Components

Click to view similar products for [RF Connectors / Coaxial Connectors](#) category:

Click to view products by [Hirose](#) manufacturer:

Other Similar products are found below :

[8915-1511-000](#) [89674-0827](#) [6001-7071-019](#) [6002-7051-003](#) [6002-7551-202](#) [6059674-1](#) [619550-1](#) [630059-000](#) [M39030/3-01N](#) [6500-7071-046](#) [6769](#) [CX050L2AQ](#) [7002-1542-011](#) [7004-1512-000](#) [7009-1511-004](#) [7010-1511-000](#) [7029-1511-060](#) [7101-1541-010](#) [7101-1571-002](#) [7105-1521-002](#) [7145-1521-002](#) [7203-1571-003](#) [7209-1511-011](#) [7210-1511-015](#) [7210-1511-019](#) [73137-5015](#) [73216-2241](#) [73404-2300](#) [7405-1521-005](#) [7405-1521-802](#) [8527](#) [8547](#) [FS11V](#) [8808-1511-001](#) [9049-9513-000](#) [9074-9513-000](#) [9101-9573-002](#) [910A205F](#) [9130-9573-002](#) [PL11SC-026](#) [PL375-33](#) [PL40-5](#) [PL74C-221](#) [PL75MC-217](#) [PL803-7](#) [980-8666-005](#) [1200690078](#) [1-201144-1](#) [R107003010W](#) [R110A172100](#)