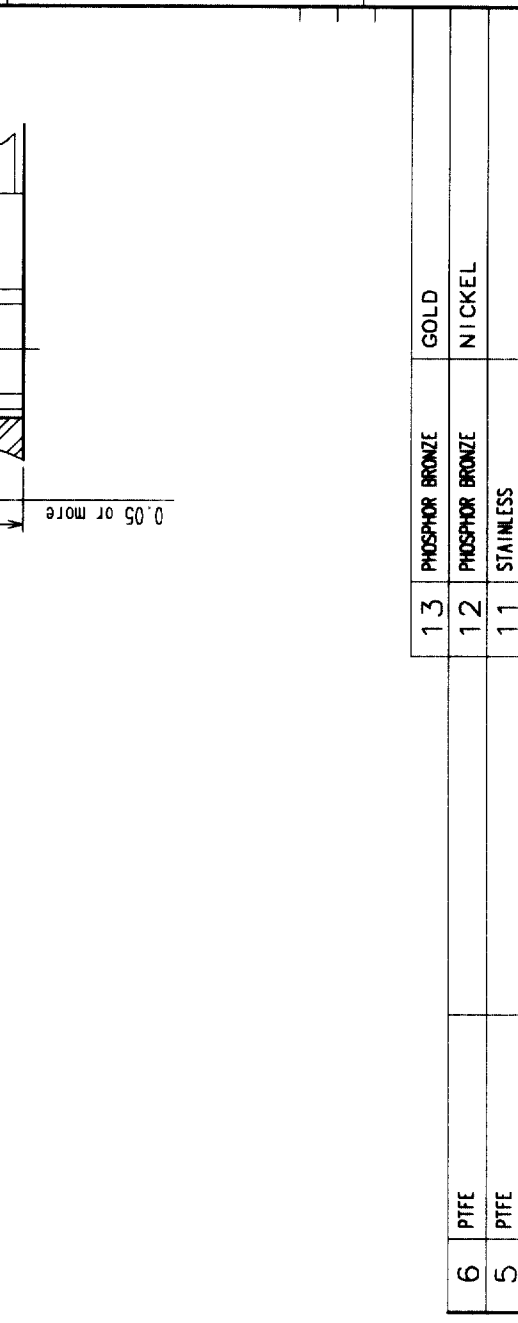
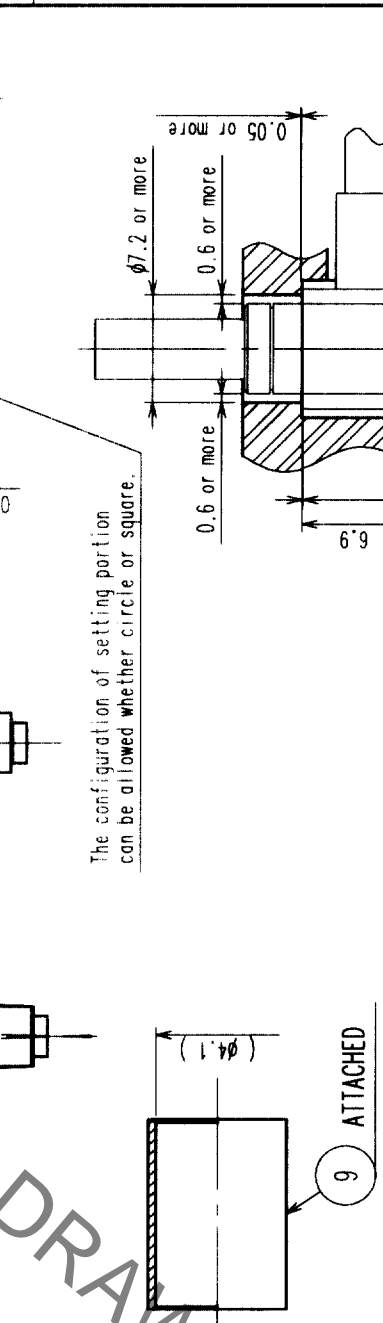
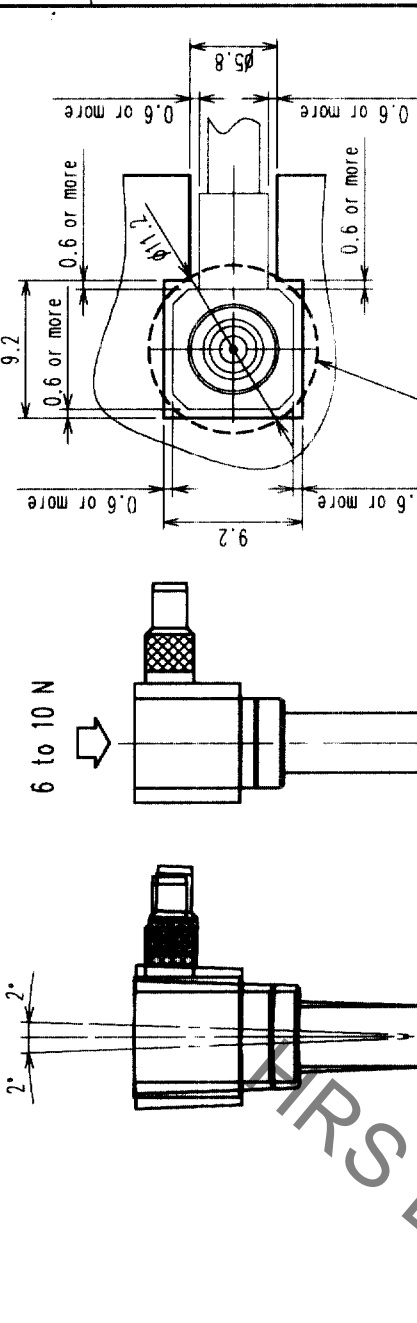


5	6	7	8
COUNT	DESCRIPTION OF REVISIONS	BY	CHKD
5	RE-J-01930	K.HIDA	K.K
5	RE-J-01936	K.HIDA	K.K
1	RE-J-02077	T.M	K

9	10	11	12
DATE	DESCRIPTION OF REVISIONS	BY	CHKD
'02.9.19		K.HIDA	K.K
'02.9.24		K.HIDA	K.K
'03.9.19		T.M	K



NO.	MATERIAL	FINISH, REMARKS	NO.	MATERIAL	FINISH, REMARKS
1	PHOSPHOR BRONZE	NICKEL	7	STAINLESS	
2	PHOSPHOR BRONZE	GOLD	8	BRONZE	
3	PHOSPHOR BRONZE	GOLD	9	BRONZE	
4	BERYLLIUM COPPER	GOLD	10	POLYOLEFIN	HEAT SHRINK TUBING
5	PTFE		11	STAINLESS	
6	PTFE		12	PHOSPHOR BRONZE	NICKEL
			13	PHOSPHOR BRONZE	GOLD

UNMATED CONDITION	MATED CONDITION
NOTE 1. Mating angle must be less than ±2 degree. (refer to figure 1)	
NOTE 2. This connector must be pushed on the receptacle (MS-156) with 6 to 10 N. (refer to figure 2) If the mating force become 10N or more, there is possibility to have some defect.	
NOTE 3. This connector must be set to jig as figure 3 (recommended setting configuration).	

TO	
RFD	

SCALE	4 : 1
UNITS	mm

X-ON Electronics

Largest Supplier of Electrical and Electronic Components

Click to view similar products for [RF Connectors / Coaxial Connectors](#) category:

Click to view products by [Hirose](#) manufacturer:

Other Similar products are found below :

[8915-1511-000](#) [89674-0827](#) [6001-7071-019](#) [6002-7051-003](#) [6002-7551-202](#) [6059674-1](#) [619550-1](#) [630059-000](#) [M39030/3-01N](#) [6500-7071-046](#) [6769](#) [CX050L2AQ](#) [7002-1542-011](#) [7004-1512-000](#) [7009-1511-004](#) [7010-1511-000](#) [7029-1511-060](#) [7101-1541-010](#) [7101-1571-002](#) [7105-1521-002](#) [7145-1521-002](#) [7203-1571-003](#) [7209-1511-011](#) [7210-1511-015](#) [7210-1511-019](#) [73137-5015](#) [73216-2241](#) [7325-1512-000](#) [73404-2300](#) [7405-1521-005](#) [7405-1521-802](#) [7406-1521-005](#) [8527](#) [8547](#) [FS11V](#) [8808-1511-001](#) [9049-9513-000](#) [9074-9513-000](#) [9101-9573-002](#) [910A205F](#) [9130-9573-002](#) [PL11SC-026](#) [PL375-33](#) [PL40-5](#) [PL71-9](#) [PL74C-221](#) [PL75MC-217](#) [PL803-7](#) [980-8666-005](#) [1200690078](#)