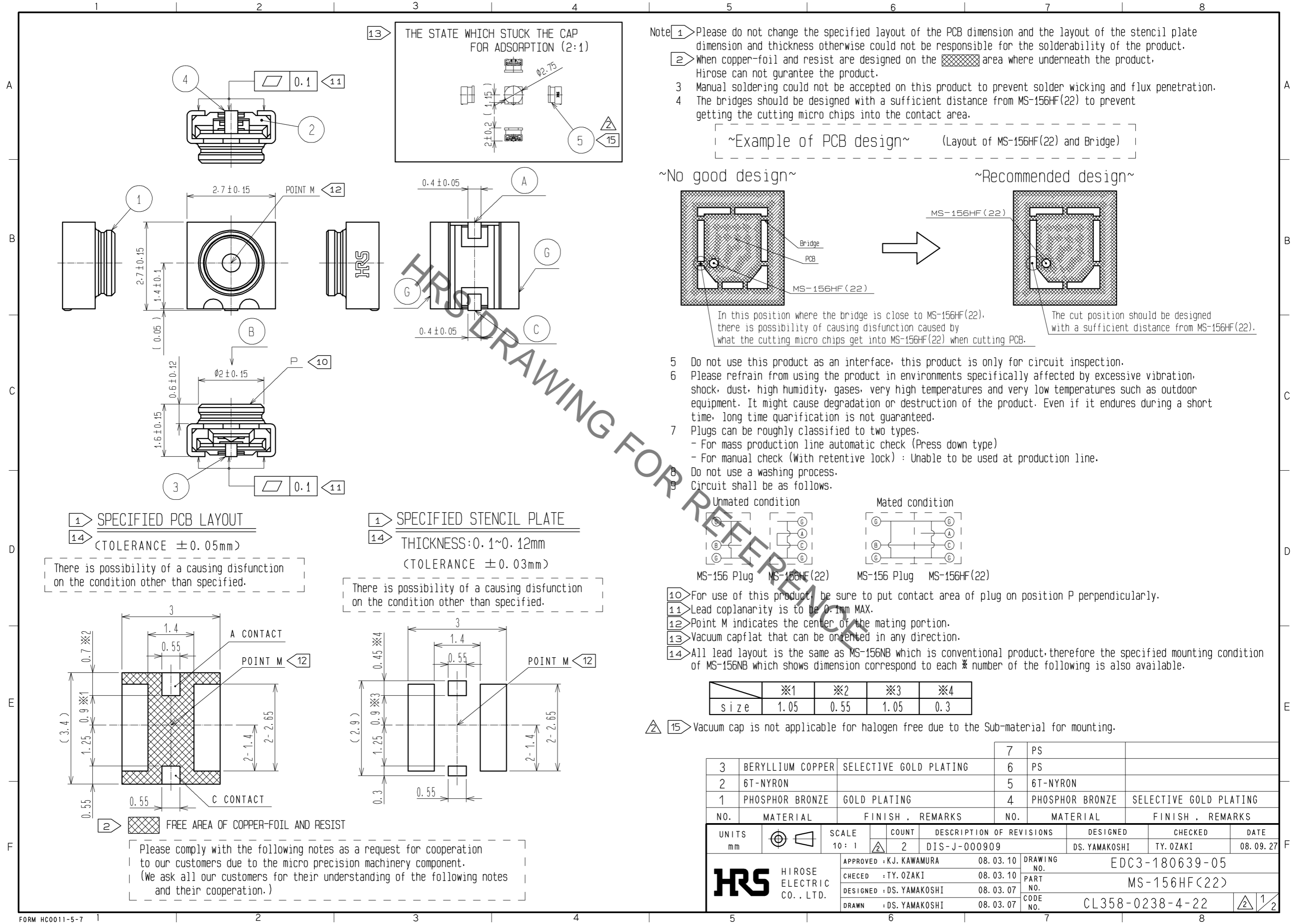


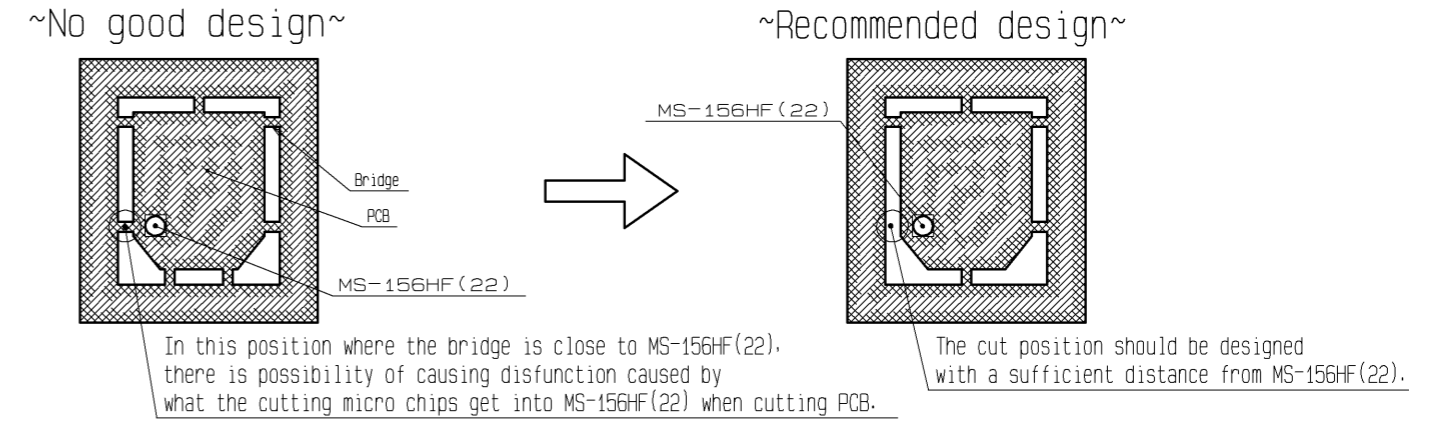
Aug.1.2021 Copyright 2021 HIROSE ELECTRIC CO., LTD. All Rights Reserved.  
In case of consideration for using Automotive equipment / device which demand high reliability, kindly contact our sales window correspondents.



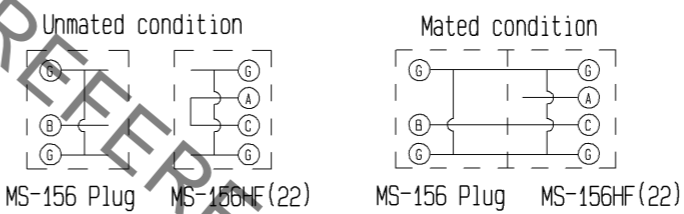
13 THE STATE WHICH STUCK THE CAP FOR ADSORPTION (2:1)

- Note
- Please do not change the specified layout of the PCB dimension and the layout of the stencil plate dimension and thickness otherwise could not be responsible for the solderability of the product.
  - When copper-foil and resist are designed on the area where underneath the product, Hirose can not guarantee the product.
  - Manual soldering could not be accepted on this product to prevent solder wicking and flux penetration.
  - The bridges should be designed with a sufficient distance from MS-156HF(22) to prevent getting the cutting micro chips into the contact area.

~Example of PCB design~ (Layout of MS-156HF(22) and Bridge)



- Do not use this product as an interface, this product is only for circuit inspection.
- Please refrain from using the product in environments specifically affected by excessive vibration, shock, dust, high humidity, gases, very high temperatures and very low temperatures such as outdoor equipment. It might cause degradation or destruction of the product. Even if it endures during a short time, long time quarification is not guaranteed.
- Plugs can be roughly classified to two types.
  - For mass production line automatic check (Press down type)
  - For manual check (With retentive lock) : Unable to be used at production line.
- Do not use a washing process.
- Circuit shall be as follows.



- For use of this product, be sure to put contact area of plug on position P perpendicularly.
- Lead coplanarity is to be 0.1mm MAX.
- Point M indicates the center of the mating portion.
- Vacuum capilat that can be oriented in any direction.
- All lead layout is the same as MS-156NB which is conventional product, therefore the specified mounting condition of MS-156NB which shows dimension correspond to each ※ number of the following is also available.

	※1	※2	※3	※4
size	1.05	0.55	1.05	0.3

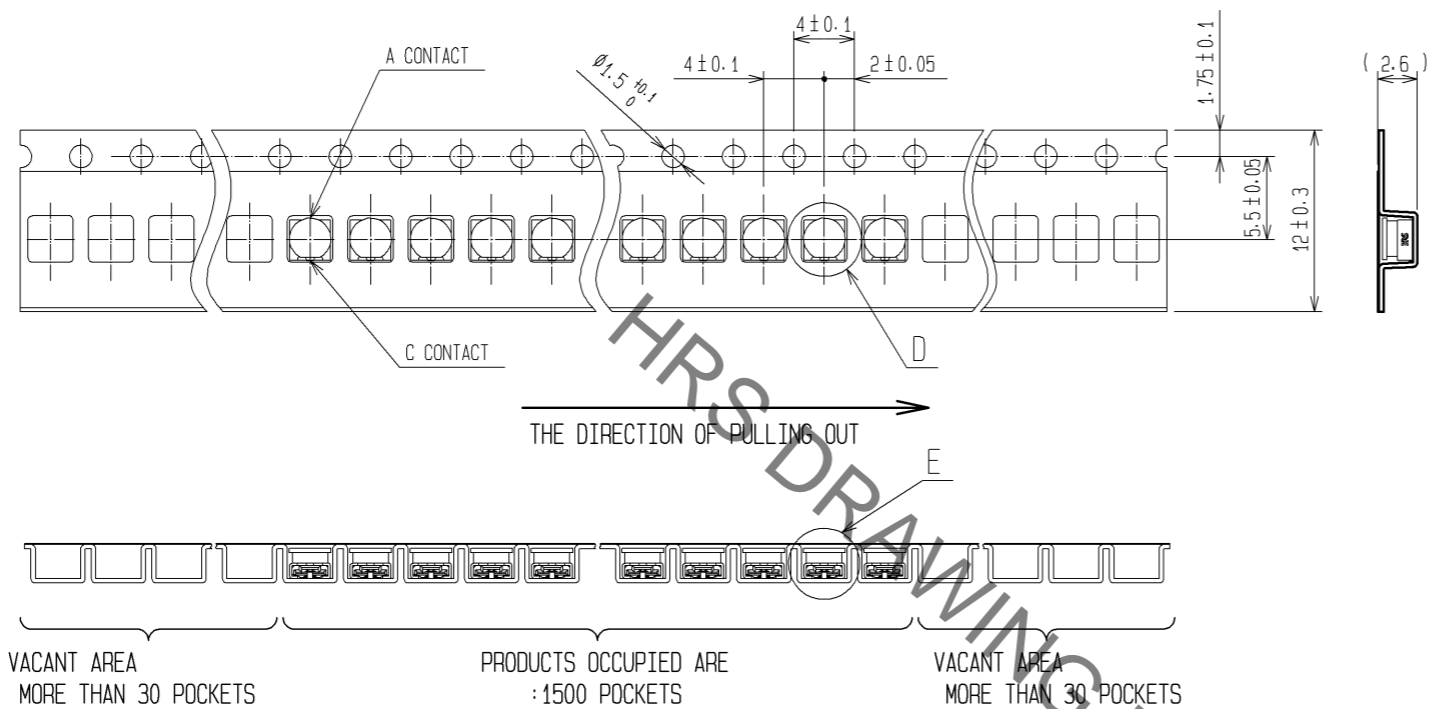
15 Vacuum cap is not applicable for halogen free due to the Sub-material for mounting.

3	BERYLLIUM COPPER	SELECTIVE GOLD PLATING	7	PS	
2	6T-NYRON		6	PS	
1	PHOSPHOR BRONZE	GOLD PLATING	5	6T-NYRON	
			4	PHOSPHOR BRONZE	SELECTIVE GOLD PLATING
NO.	MATERIAL	FINISH . REMARKS	NO.	MATERIAL	FINISH . REMARKS
UNITS mm			SCALE 10:1		
COUNT 2			DESCRIPTION OF REVISIONS DIS-J-000909		
DESIGNED DS. YAMAKOSHI			DESIGNED DS. YAMAKOSHI		
CHECKED TY. OZAKI			CHECKED TY. OZAKI		
DRAWN DS. YAMAKOSHI			DRAWN DS. YAMAKOSHI		
APPROVED KJ. KAWAMURA			APPROVED KJ. KAWAMURA		
DATE 08.03.10			DATE 08.03.10		
DRAWING NO. EDC3-180639-05			DRAWING NO. EDC3-180639-05		
PART NO. MS-156HF(22)			PART NO. MS-156HF(22)		
CODE NO. CL358-0238-4-22			CODE NO. CL358-0238-4-22		
DATE 08.03.07			DATE 08.03.07		
DATE 08.03.07			DATE 08.03.07		
DATE 08.03.07			DATE 08.03.07		
DATE 08.03.07			DATE 08.03.07		

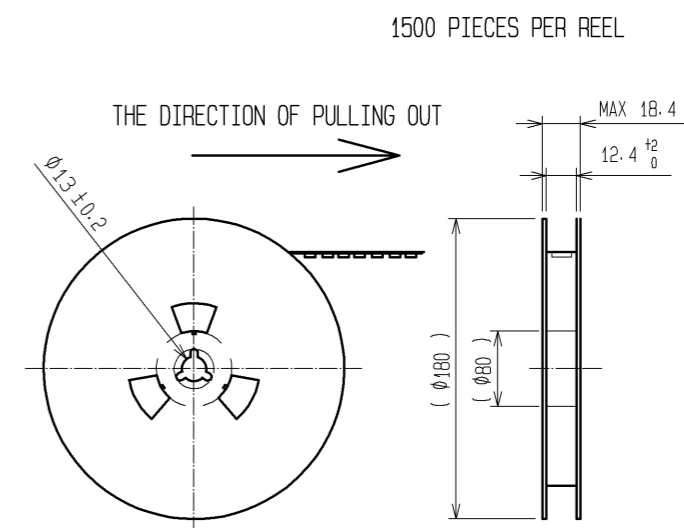
Please comply with the following notes as a request for cooperation to our customers due to the micro precision machinery component. (We ask all our customers for their understanding of the following notes and their cooperation.)

Aug.1.2021 Copyright 2021 HIROSE ELECTRIC CO., LTD. All Rights Reserved.  
 In case of consideration for using Automotive equipment / device which demand high reliability, kindly contact our sales window correspondents.

PACKAGING SPECIFICATION

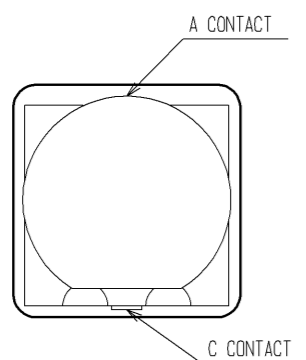


REEL DIMENSIONS(FREE)

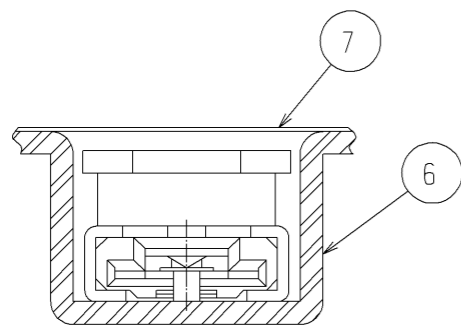


VACANT AREA MORE THAN 30 POCKETS      PRODUCTS OCCUPIED ARE : 1500 POCKETS      VACANT AREA MORE THAN 30 POCKETS

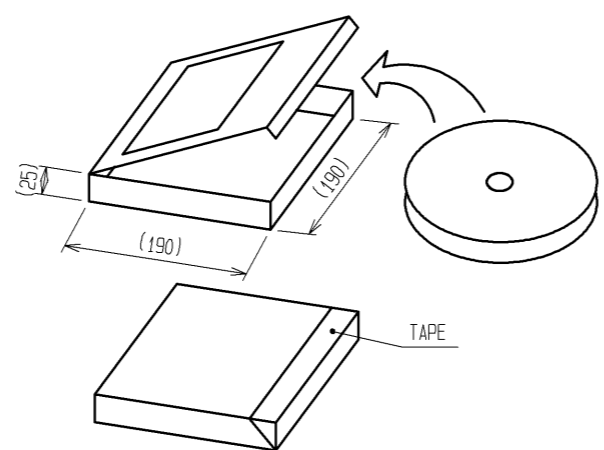
D (10:1)



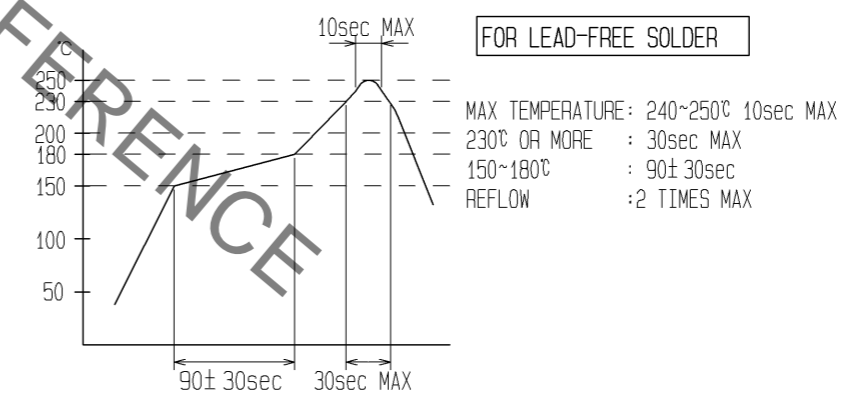
E (10:1)



OUTER PACKAGING CASE (FREE)



RECOMMENDED REFLOW TEMPERATURE PROFILE



UNITS mm		SCALE 2 : 1	COUNT 2	DESCRIPTION OF REVISIONS DIS-J-000909	DESIGNED DS. YAMAKOSHI	CHECKED TY. OZAKI	DATE 08.09.27
APPROVED : KJ. KAWAMURA 08.03.10				DRAWING NO. EDC3-180639-05			
CHECKED : TY. OZAKI 08.03.10				PART NO. MS-156HF(22)			
DESIGNED : DS. YAMAKOSHI 08.03.07				CODE NO. CL358-0238-4-22			
DRAWN : DS. YAMAKOSHI 08.03.07				2/2			

## X-ON Electronics

Largest Supplier of Electrical and Electronic Components

*Click to view similar products for [RF Connectors / Coaxial Connectors](#) category:*

*Click to view products by [Hirose](#) manufacturer:*

Other Similar products are found below :

[8915-1511-000](#) [89674-0827](#) [6001-7071-019](#) [6002-7051-003](#) [6002-7551-202](#) [6059674-1](#) [619550-1](#) [630059-000](#) [M39030/3-01N](#) [6500-7071-046](#) [6769](#) [CX050L2AQ](#) [7002-1542-011](#) [7004-1512-000](#) [7009-1511-004](#) [7010-1511-000](#) [7029-1511-060](#) [7101-1541-010](#) [7101-1571-002](#) [7105-1521-002](#) [7145-1521-002](#) [7203-1571-003](#) [7209-1511-011](#) [7210-1511-015](#) [7210-1511-019](#) [73137-5015](#) [73216-2241](#) [7325-1512-000](#) [73404-2300](#) [7405-1521-005](#) [7405-1521-802](#) [7406-1521-005](#) [8527](#) [8547](#) [FS11V](#) [8808-1511-001](#) [9049-9513-000](#) [9074-9513-000](#) [9101-9573-002](#) [910A205F](#) [9130-9573-002](#) [PL11SC-026](#) [PL375-33](#) [PL40-5](#) [PL71-9](#) [PL74C-221](#) [PL75MC-217](#) [PL803-7](#) [980-8666-005](#) [1200690078](#)