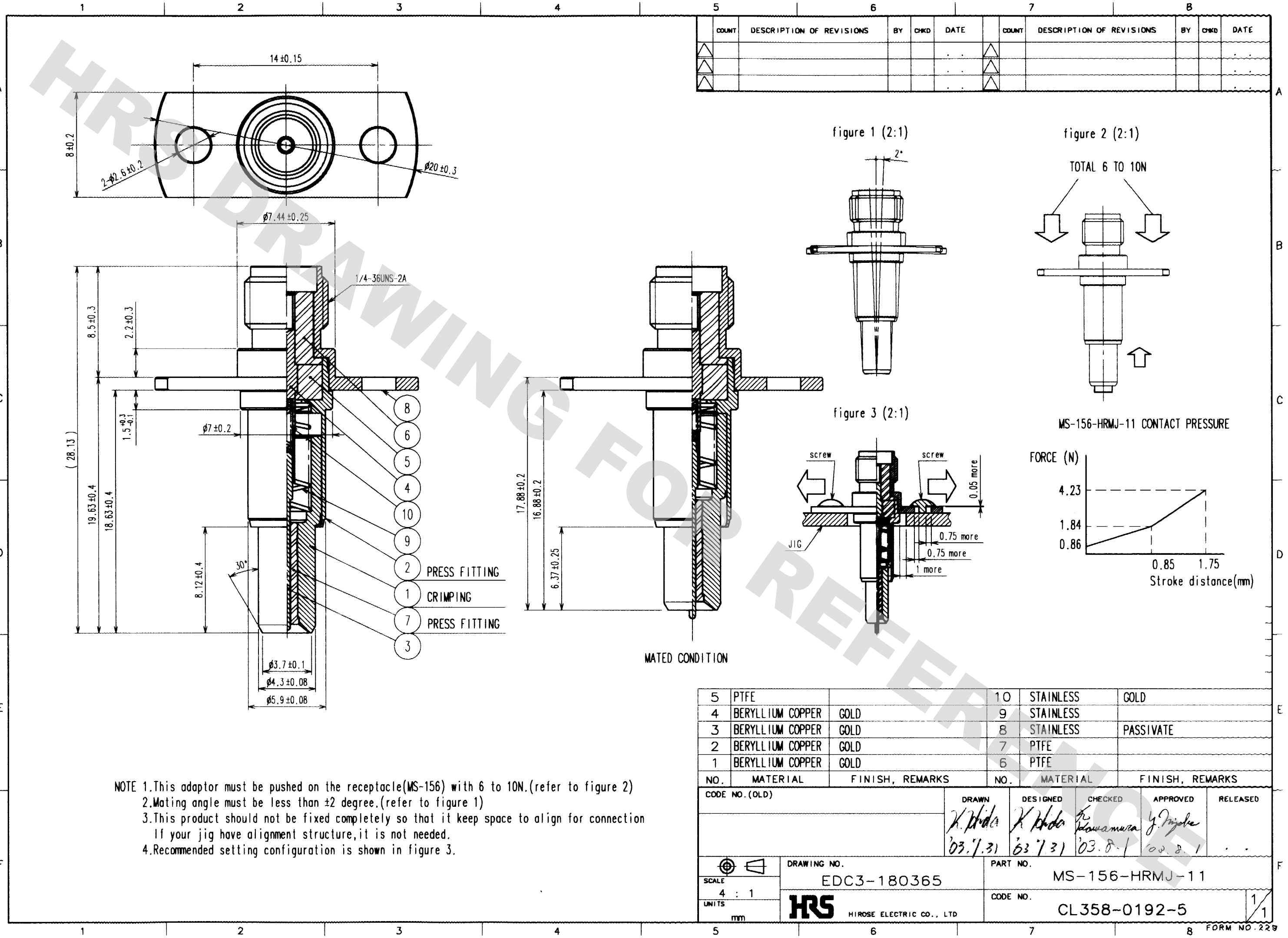
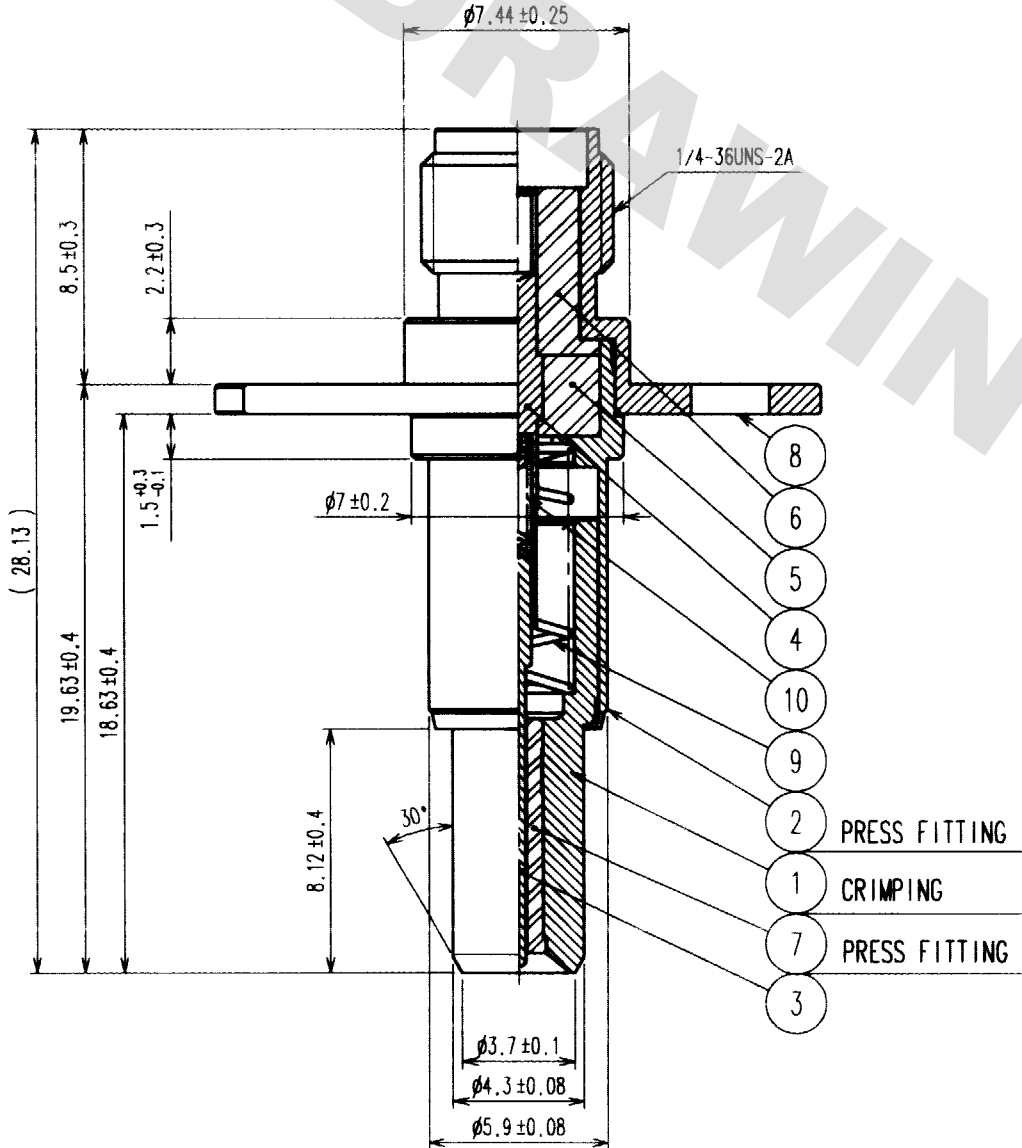


DRAWING FOR REFERENCE: This is subject to change without notice  
08/11/2012



| COUNT | DESCRIPTION OF REVISIONS | BY | CHKD | DATE | COUNT | DESCRIPTION OF REVISIONS | BY | CHKD | DATE |
|-------|--------------------------|----|------|------|-------|--------------------------|----|------|------|
|       |                          |    |      |      |       |                          |    |      |      |
|       |                          |    |      |      |       |                          |    |      |      |
|       |                          |    |      |      |       |                          |    |      |      |



NOTE 1. This adaptor must be pushed on the receptacle (MS-156) with 6 to 10N. (refer to figure 2)  
2. Mating angle must be less than  $\pm 2$  degree. (refer to figure 1)  
3. This product should not be fixed completely so that it keep space to align for connection. If your jig have alignment structure, it is not needed.  
4. Recommended setting configuration is shown in figure 3.

| NO. | MATERIAL         | FINISH, REMARKS | NO. | MATERIAL  | FINISH, REMARKS |
|-----|------------------|-----------------|-----|-----------|-----------------|
| 5   | PTFE             |                 | 10  | STAINLESS | GOLD            |
| 4   | BERYLLIUM COPPER | GOLD            | 9   | STAINLESS |                 |
| 3   | BERYLLIUM COPPER | GOLD            | 8   | STAINLESS | PASSIVATE       |
| 2   | BERYLLIUM COPPER | GOLD            | 7   | PTFE      |                 |
| 1   | BERYLLIUM COPPER | GOLD            | 6   | PTFE      |                 |

|                |         |          |             |           |          |
|----------------|---------|----------|-------------|-----------|----------|
| CODE NO. (OLD) | DRAWN   | DESIGNED | CHECKED     | APPROVED  | RELEASED |
|                | K. Kido | K. Kido  | K. Kawamura | Y. Fujita |          |
|                | 03.7.31 | 03.7.31  | 03.8.1      | 03.8.1    |          |

|       |              |                |
|-------|--------------|----------------|
| SCALE | DRAWING NO.  | PART NO.       |
| 4 : 1 | EDC3-180365  | MS-156-HRMJ-11 |
| UNITS | CODE NO.     |                |
| mm    | CL358-0192-5 |                |

TO  
RFD

## X-ON Electronics

Largest Supplier of Electrical and Electronic Components

*Click to view similar products for [RF Adapters - Between Series](#) category:*

*Click to view products by [Hirose](#) manufacturer:*

Other Similar products are found below :

[5945-9503-000](#) [MCX/F-SMA/M](#) [R192417010](#) [ADBJ20-E1-BJ379](#) [ADM2](#) [ADPL75-A1-PL75](#) [242191](#) [9317505](#) [AD130](#) [ADBJ20-E1-PL74](#)  
[ADBJ77-E1-UPL20](#) [ADRMF370](#) [242190](#) [242215](#) [242228](#) [R125680000W](#) [R192430000](#) [UAD95](#) [1057367-1](#) [8311505](#) [R114704000](#)  
[R451034500](#) [R451030500](#) [R451543000](#) [HDVDPN](#) [ADBJ20-K1-PL20](#) [R451570000](#) [R192419000](#) [R451034000](#) [J9](#) [J3WE-5](#) [R451032500](#)  
[242201RP](#) [17K132-K00S5](#) [03K719-S22S3](#) [AD-RSMAF-RTNC](#) [53K156-K00N5](#) [53K160-KIMN1](#) [02K119-K00E3](#) [29S132-K01N5](#) [53S156-](#)  
[K00N5](#) [02S119-S00E3](#) [28K132-K00N5](#) [02S109-K00S3](#) [27-8200TP](#) [242235](#) [ADBJ20-E1-BJ89](#) [ADP-SMAF-MMCXM](#) [000-2900](#) [321-102-](#)  
[003 \(SMA-50/2-H155/W1.03 AU\)](#)