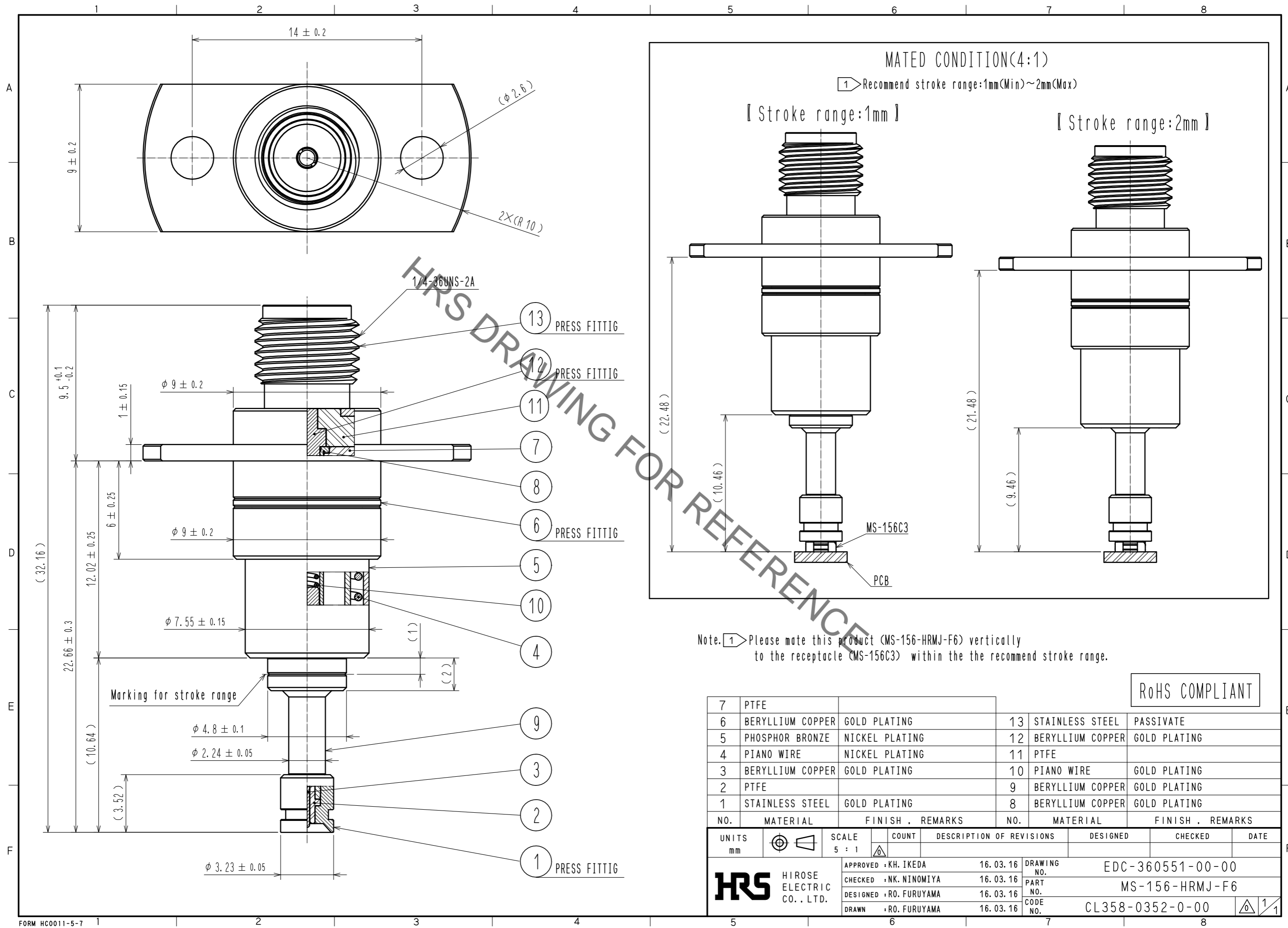


Sep.1.2021 Copyright 2021 HIROSE ELECTRIC CO., LTD. All Rights Reserved.  
In case of consideration for using Automotive equipment / device which demand high reliability, kindly contact our sales window correspondents.



HRS DRAWING FOR REFERENCE

Note. 1 Please mate this product (MS-156-HRMJ-F6) vertically to the receptacle (MS-156C3) within the the recommend stroke range.

RoHS COMPLIANT

NO.	MATERIAL	FINISH .	REMARKS	NO.	MATERIAL	FINISH .	REMARKS
7	PTFE			13	STAINLESS STEEL	PASSIVATE	
6	BERYLLIUM COPPER	GOLD PLATING		12	BERYLLIUM COPPER	GOLD PLATING	
5	PHOSPHOR BRONZE	NICKEL PLATING		11	PTFE		
4	PIANO WIRE	NICKEL PLATING		10	PIANO WIRE	GOLD PLATING	
3	BERYLLIUM COPPER	GOLD PLATING		9	BERYLLIUM COPPER	GOLD PLATING	
2	PTFE			8	BERYLLIUM COPPER	GOLD PLATING	
1	STAINLESS STEEL	GOLD PLATING					

UNITS	SCALE	COUNT	DESCRIPTION OF REVISIONS	DESIGNED	CHECKED	DATE
mm	5 : 1	△				

<b>HRS</b> HIROSE ELECTRIC CO., LTD.	APPROVED : KH. IKEDA 16.03.16	DRAWING NO. EDC-360551-00-00
	CHECKED : NK. NINOMIYA 16.03.16	PART NO. MS-156-HRMJ-F6
	DESIGNED : RO. FURUYAMA 16.03.16	CODE NO. CL358-0352-0-00
	DRAWN : RO. FURUYAMA 16.03.16	1/1

## X-ON Electronics

Largest Supplier of Electrical and Electronic Components

*Click to view similar products for [RF Adapters - Between Series](#) category:*

*Click to view products by [Hirose](#) manufacturer:*

Other Similar products are found below :

[5945-9503-000](#) [MCX/F-SMA/M](#) [R192417010](#) [ADBJ20-E1-BJ379](#) [ADM2](#) [ADPL75-A1-PL75](#) [242191](#) [9317505](#) [AD130](#) [ADBJ20-E1-PL74](#)  
[ADBJ77-E1-UPL20](#) [ADRMF370](#) [242190](#) [242215](#) [242228](#) [R125680000W](#) [R192430000](#) [UAD95](#) [1057367-1](#) [8311505](#) [R114704000](#)  
[R451034500](#) [R451030500](#) [R451543000](#) [HDVDPN](#) [ADBJ20-K1-PL20](#) [R451570000](#) [R192419000](#) [R451034000](#) [J9](#) [J3WE-5](#) [R451032500](#)  
[242201RP](#) [17K132-K00S5](#) [03K719-S22S3](#) [AD-RSMAF-RTNC](#) [53K156-K00N5](#) [53K160-KIMN1](#) [02K119-K00E3](#) [29S132-K01N5](#) [53S156-](#)  
[K00N5](#) [02S119-S00E3](#) [28K132-K00N5](#) [02S109-K00S3](#) [27-8200TP](#) [242235](#) [ADBJ20-E1-BJ89](#) [ADP-SMAF-MMCXM](#) [000-2900](#) [321-102-](#)  
[003 \(SMA-50/2-H155/W1.03 AU\)](#)