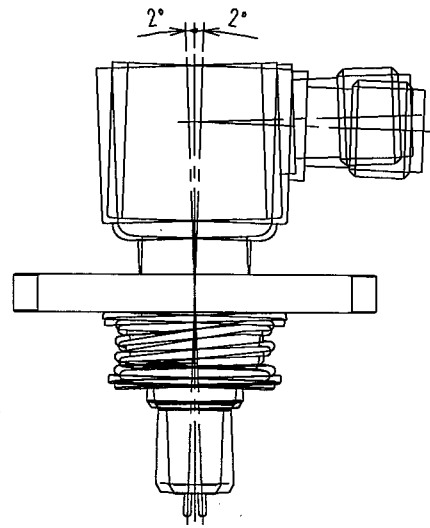
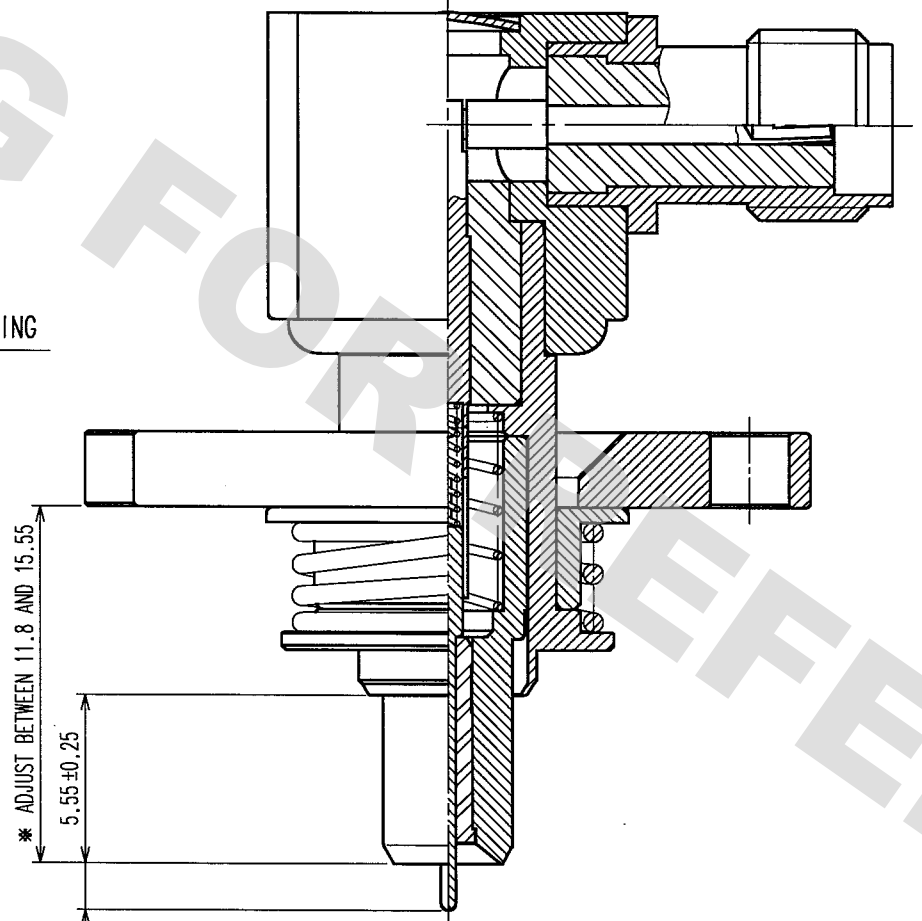
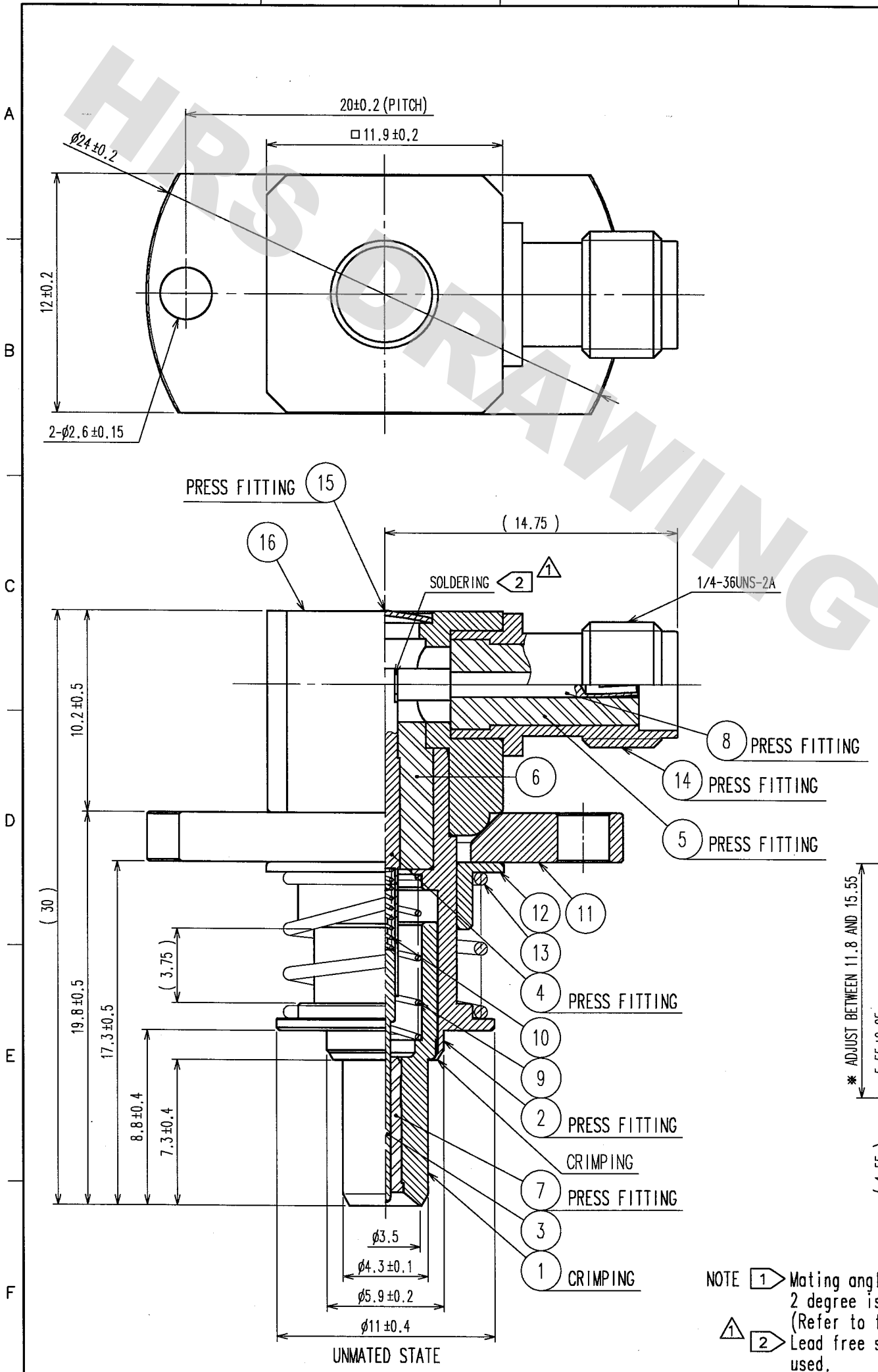
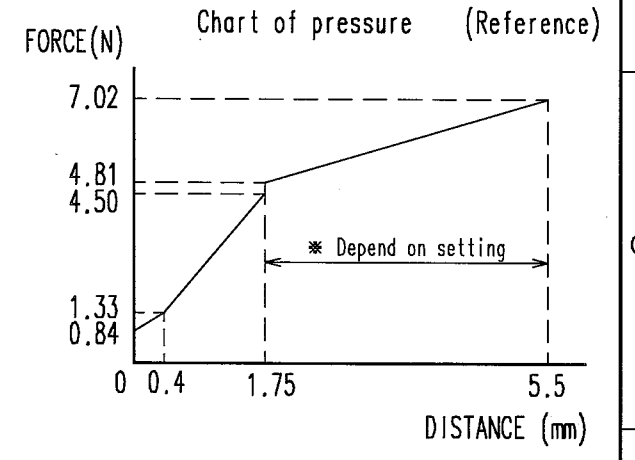


COUNT	DESCRIPTION OF REVISIONS	BY	CHKD	DATE	COUNT	DESCRIPTION OF REVISIONS	BY	CHKD	DATE
2	RE-J-02288	N.S	R.K	05.02.07					

1 FIGURE 1 (2:1)



FLOATING AMOUNT ±0.75mm



MATED STATE

NO.	MATERIAL	FINISH, REMARKS
16	STAINLESS STEEL	PASSIVATE
15	BRASS	NICKEL PLATING
14	STAINLESS STEEL	PASSIVATE
13	STAINLESS STEEL	
12	PHOSPHOR BRONZE	NICKEL PLATING
11	STAINLESS STEEL	PASSIVATE
10	STAINLESS STEEL	GOLD PLATING
9	STAINLESS STEEL	GOLD PLATING
8	BERYLLIUM COPPER	GOLD PLATING
7	PTFE	
6	PTFE	
5	PTFE	
4	BERYLLIUM COPPER	GOLD PLATING
3	BERYLLIUM COPPER	GOLD PLATING
2	BERYLLIUM COPPER	GOLD PLATING
1	BERYLLIUM COPPER	GOLD PLATING

NOTE 1 Mating angle which is less than 2 degree is acceptable. (Refer to fig.1)
 2 Lead free solder (Sn3Ag0.5Cu) is used.

CODE NO. (OLD)	DRAWN	DESIGNED	CHECKED	APPROVED	RELEASED
	N. SHIRAI	N. SHIRAI	R. KANO	K. KAWAMURA	
	'04.10.26	'04.10.26	'04.10.27	'04.10.28	
DRAWING NO.	PART NO.		CODE NO.		
EDC3-180463	MS-156LP-HRMJ-4		CL358-0205-5		
SCALE	UNITS		mm		
4 : 1					
HRS HIROSE ELECTRIC CO., LTD					

DRAWING FOR REFERENCE: This is subject to change without notice
08/11/2012

TO
RFD

X-ON Electronics

Largest Supplier of Electrical and Electronic Components

Click to view similar products for [RF Adapters - Between Series](#) category:

Click to view products by [Hirose](#) manufacturer:

Other Similar products are found below :

[5945-9503-000](#) [MCX/F-SMA/M](#) [R192417010](#) [ADBJ20-E1-BJ379](#) [ADM2](#) [ADPL75-A1-PL75](#) [242191](#) [9317505](#) [AD130](#) [ADBJ20-E1-PL74](#)
[ADBJ77-E1-UPL20](#) [ADRMF370](#) [242190](#) [242215](#) [242228](#) [R125680000W](#) [R192430000](#) [UAD95](#) [1057367-1](#) [8311505](#) [R114704000](#)
[R451034500](#) [R451030500](#) [R451543000](#) [HDVDPN](#) [ADBJ20-K1-PL20](#) [R451570000](#) [R192419000](#) [R451034000](#) [J9](#) [J3WE-5](#) [R451032500](#)
[242201RP](#) [17K132-K00S5](#) [03K719-S22S3](#) [AD-RSMAF-RTNC](#) [53K156-K00N5](#) [53K160-KIMN1](#) [02K119-K00E3](#) [29S132-K01N5](#) [53S156-](#)
[K00N5](#) [02S119-S00E3](#) [28K132-K00N5](#) [02S109-K00S3](#) [27-8200TP](#) [242235](#) [ADBJ20-E1-BJ89](#) [ADP-SMAF-MMCXM](#) [000-2900](#) [321-102-](#)
[003 \(SMA-50/2-H155/W1.03 AU\)](#)