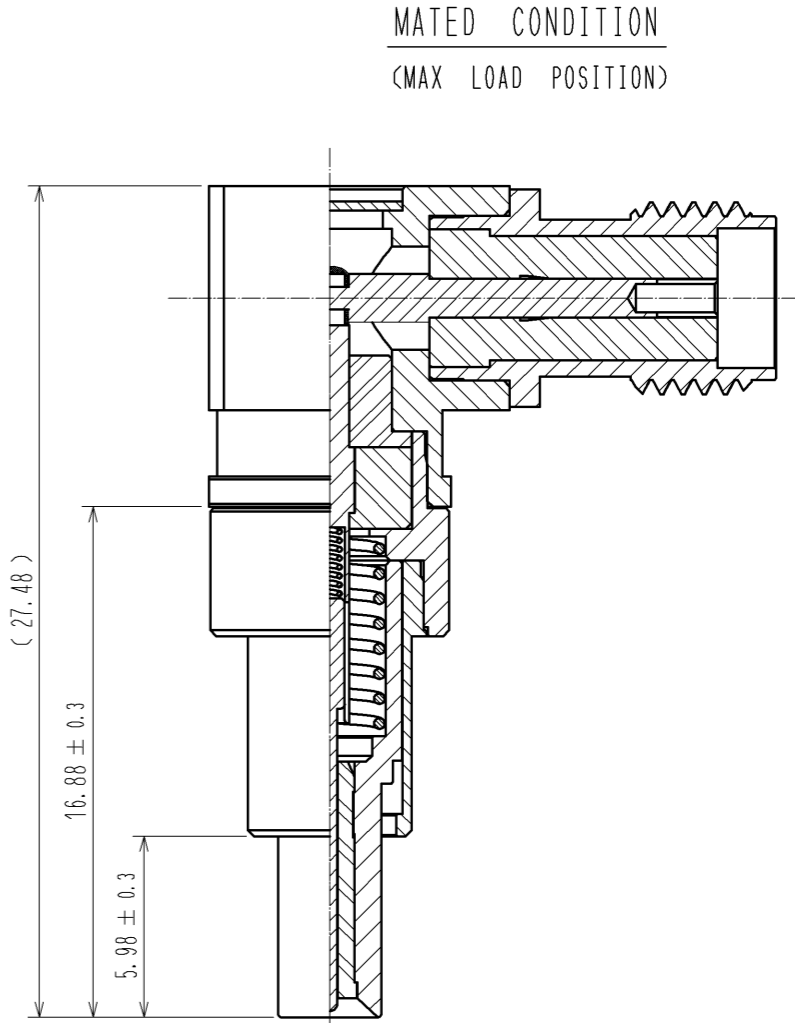
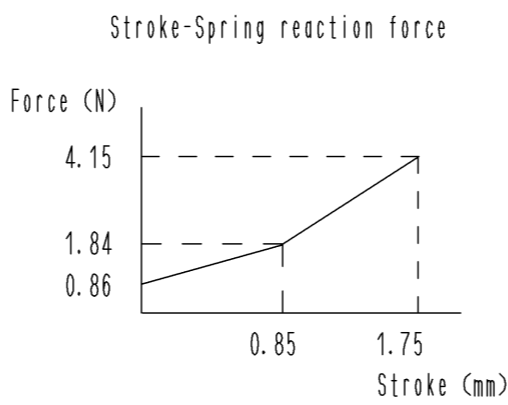
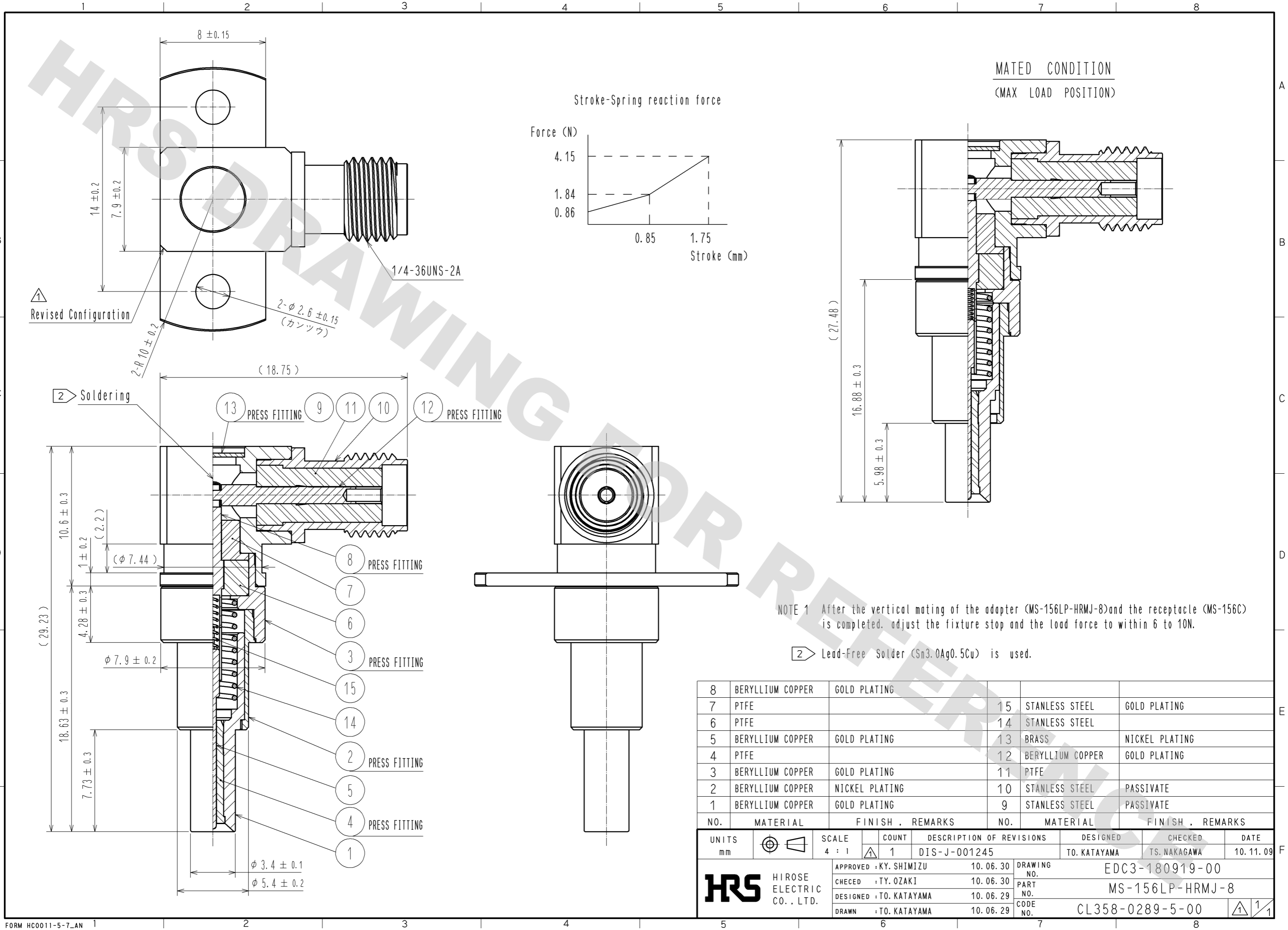


DRAWING FOR REFERENCE: This is subject to change without notice
08/11/2012



NOTE 1 After the vertical mating of the adapter (MS-156LP-HRMJ-8) and the receptacle (MS-156C) is completed, adjust the fixture stop and the load force to within 6 to 10N.

2 Lead-Free Solder (Sn3.0Ag0.5Cu) is used.

| NO. | MATERIAL | FINISH . REMARKS | NO. | MATERIAL | FINISH . REMARKS |
|-----|------------------|------------------|-----|------------------|------------------|
| 8 | BERYLLIUM COPPER | GOLD PLATING | 15 | STAINLESS STEEL | GOLD PLATING |
| 7 | PTFE | | 14 | STAINLESS STEEL | |
| 6 | PTFE | | 13 | BRASS | NICKEL PLATING |
| 5 | BERYLLIUM COPPER | GOLD PLATING | 12 | BERYLLIUM COPPER | GOLD PLATING |
| 4 | PTFE | | 11 | PTFE | |
| 3 | BERYLLIUM COPPER | GOLD PLATING | 10 | STAINLESS STEEL | PASSIVATE |
| 2 | BERYLLIUM COPPER | NICKEL PLATING | 9 | STAINLESS STEEL | PASSIVATE |
| 1 | BERYLLIUM COPPER | GOLD PLATING | | | |

| UNITS | SCALE | COUNT | DESCRIPTION OF REVISIONS | DESIGNED | CHECKED | DATE |
|-------------------------|-------|-------|--------------------------|----------------------------|--------------|------------|
| mm | 4 : 1 | 1 | DIS-J-001245 | TO. KATAYAMA | TS. NAKAGAWA | 10. 11. 09 |
| APPROVED : KY. SHIMIZU | | | 10. 06. 30 | DRAWING NO. EDC3-180919-00 | | |
| CHECKED : TY. OZAKI | | | 10. 06. 30 | PART NO. MS-156LP-HRMJ-8 | | |
| DESIGNED : TO. KATAYAMA | | | 10. 06. 29 | CODE NO. CL358-0289-5-00 | | |
| DRAWN : TO. KATAYAMA | | | 10. 06. 29 | 1/1 | | |

X-ON Electronics

Largest Supplier of Electrical and Electronic Components

Click to view similar products for [RF Adapters - Between Series](#) category:

Click to view products by [Hirose](#) manufacturer:

Other Similar products are found below :

[5945-9503-000](#) [MCX/F-SMA/M](#) [R192417010](#) [ADBJ20-E1-BJ379](#) [ADM2](#) [ADPL75-A1-PL75](#) [242191](#) [9317505](#) [AD130](#) [ADBJ20-E1-PL74](#)
[ADBJ77-E1-UPL20](#) [ADRMF370](#) [242190](#) [242215](#) [242228](#) [R125680000W](#) [R192430000](#) [UAD95](#) [1057367-1](#) [8311505](#) [R114704000](#)
[R451034500](#) [R451030500](#) [R451543000](#) [HDVDPN](#) [ADBJ20-K1-PL20](#) [R451570000](#) [R192419000](#) [R451034000](#) [J9](#) [J3WE-5](#) [R451032500](#)
[242201RP](#) [17K132-K00S5](#) [03K719-S22S3](#) [AD-RSMAF-RTNC](#) [53K156-K00N5](#) [53K160-KIMN1](#) [02K119-K00E3](#) [29S132-K01N5](#) [53S156-](#)
[K00N5](#) [02S119-S00E3](#) [28K132-K00N5](#) [02S109-K00S3](#) [27-8200TP](#) [242235](#) [ADBJ20-E1-BJ89](#) [ADP-SMAF-MMCXM](#) [000-2900](#) [321-102-](#)
[003 \(SMA-50/2-H155/W1.03 AU\)](#)