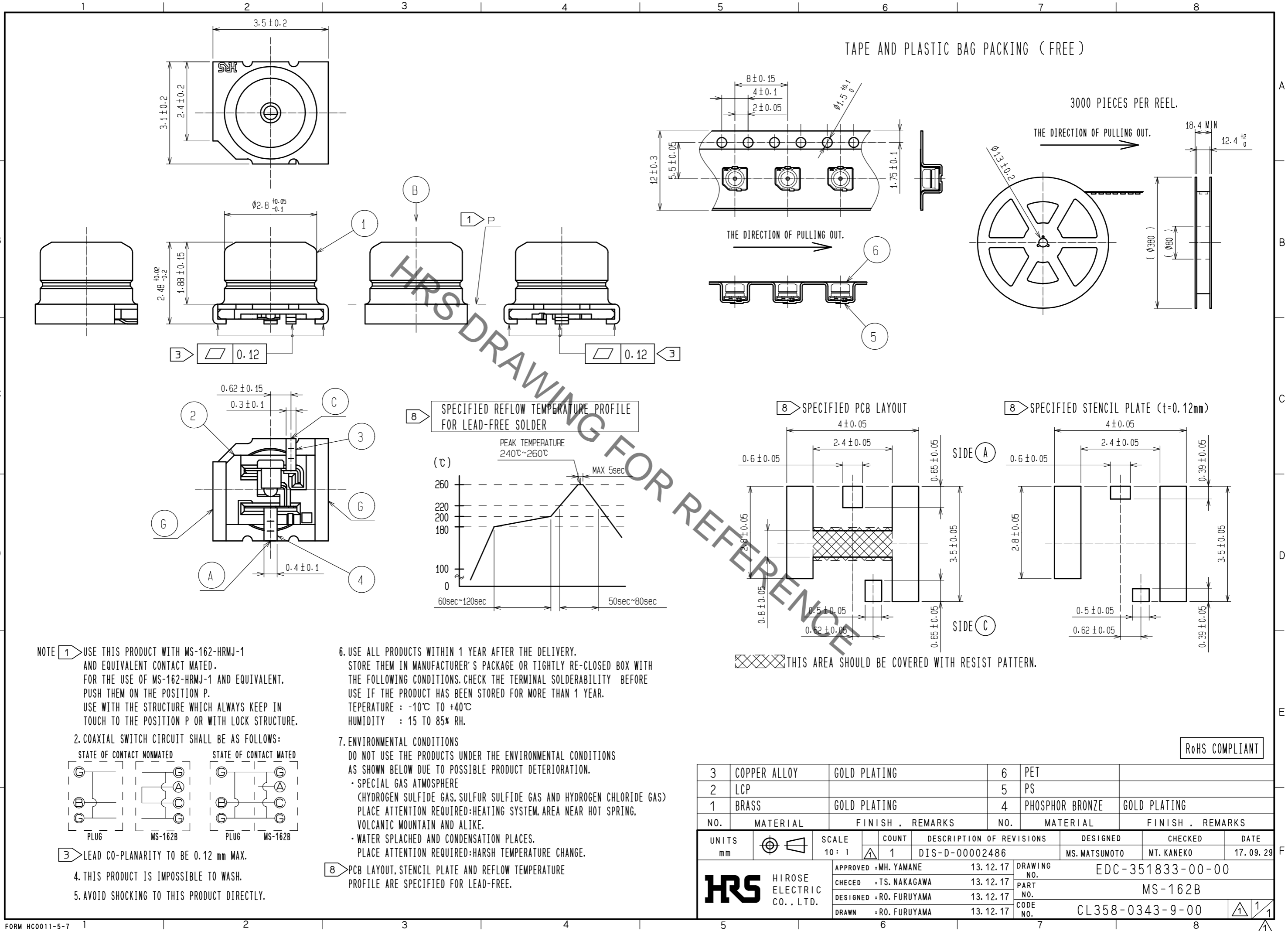


Sep.1.2021 Copyright 2021 HIROSE ELECTRIC CO., LTD. All Rights Reserved.
In case of consideration for using Automotive equipment / device which demand high reliability, kindly contact our sales window correspondents.

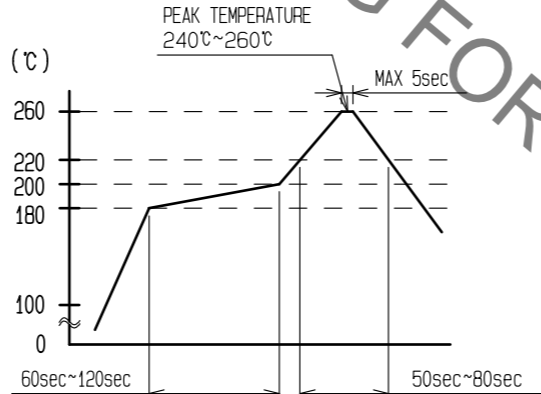


TAPE AND PLASTIC BAG PACKING (FREE)

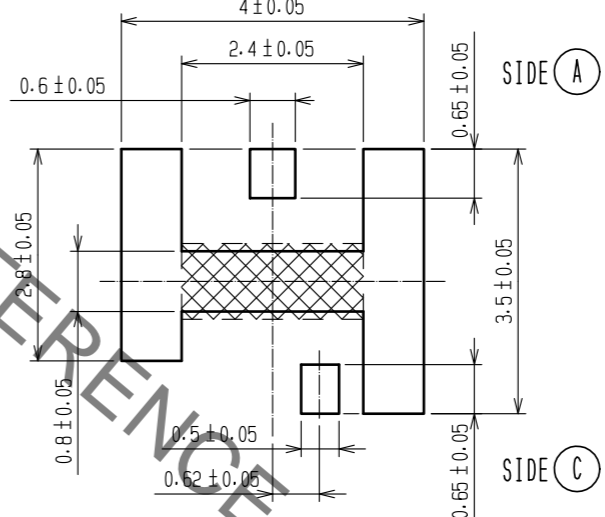
3000 PIECES PER REEL.

THE DIRECTION OF PULLING OUT.

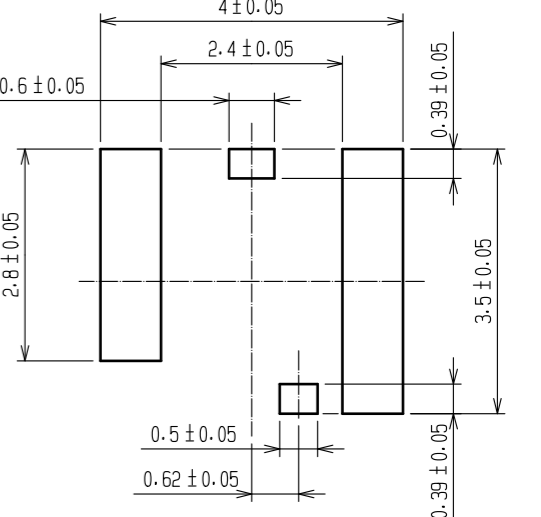
8 SPECIFIED REFLOW TEMPERATURE PROFILE FOR LEAD-FREE SOLDER



8 SPECIFIED PCB LAYOUT

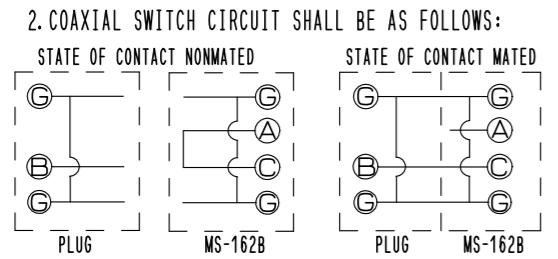


8 SPECIFIED STENCIL PLATE (t=0.12mm)



THIS AREA SHOULD BE COVERED WITH RESIST PATTERN.

NOTE 1 USE THIS PRODUCT WITH MS-162-HRMJ-1 AND EQUIVALENT CONTACT MATED.
FOR THE USE OF MS-162-HRMJ-1 AND EQUIVALENT, PUSH THEM ON THE POSITION P.
USE WITH THE STRUCTURE WHICH ALWAYS KEEP IN TOUCH TO THE POSITION P OR WITH LOCK STRUCTURE.



3 LEAD CO-PLANARITY TO BE 0.12 mm MAX.
4. THIS PRODUCT IS IMPOSSIBLE TO WASH.
5. AVOID SHOCKING TO THIS PRODUCT DIRECTLY.

6. USE ALL PRODUCTS WITHIN 1 YEAR AFTER THE DELIVERY. STORE THEM IN MANUFACTURER'S PACKAGE OR TIGHTLY RE-CLOSED BOX WITH THE FOLLOWING CONDITIONS. CHECK THE TERMINAL SOLDERABILITY BEFORE USE IF THE PRODUCT HAS BEEN STORED FOR MORE THAN 1 YEAR.
TEMPERATURE : -10°C TO +40°C
HUMIDITY : 15 TO 85% RH.

7. ENVIRONMENTAL CONDITIONS DO NOT USE THE PRODUCTS UNDER THE ENVIRONMENTAL CONDITIONS AS SHOWN BELOW DUE TO POSSIBLE PRODUCT DETERIORATION.
• SPECIAL GAS ATMOSPHERE (HYDROGEN SULFIDE GAS, SULFUR SULFIDE GAS AND HYDROGEN CHLORIDE GAS) PLACE ATTENTION REQUIRED: HEATING SYSTEM, AREA NEAR HOT SPRING, VOLCANIC MOUNTAIN AND ALIKE.
• WATER SPLACHED AND CONDENSATION PLACES. PLACE ATTENTION REQUIRED: HARSH TEMPERATURE CHANGE.

8 PCB LAYOUT, STENCIL PLATE AND REFLOW TEMPERATURE PROFILE ARE SPECIFIED FOR LEAD-FREE.

RoHS COMPLIANT

3	COPPER ALLOY	GOLD PLATING	6	PET	
2	LCP		5	PS	
1	BRASS	GOLD PLATING	4	PHOSPHOR BRONZE	GOLD PLATING
NO.	MATERIAL	FINISH . REMARKS	NO.	MATERIAL	FINISH . REMARKS
UNITS	mm	SCALE	10 : 1	COUNT	1
DESCRIPTION OF REVISIONS			DESIGNED	CHECKED	DATE
DIS-D-00002486			MS. MATSUMOTO	MT. KANEKO	17. 09. 29
APPROVED : MH. YAMANE 13. 12. 17			DRAWING NO. EDC-351833-00-00		
CHECKED : TS. NAKAGAWA 13. 12. 17			PART NO. MS-162B		
DESIGNED : RO. FURUYAMA 13. 12. 17			CODE NO. CL358-0343-9-00		
DRAWN : RO. FURUYAMA 13. 12. 17			1/1		

X-ON Electronics

Largest Supplier of Electrical and Electronic Components

Click to view similar products for [RF Connectors / Coaxial Connectors](#) category:

Click to view products by [Hirose](#) manufacturer:

Other Similar products are found below :

[8915-1511-000](#) [89674-0827](#) [6001-7071-019](#) [6002-7051-003](#) [6002-7551-202](#) [6059674-1](#) [619550-1](#) [630059-000](#) [M39030/3-01N](#) [6500-7071-046](#) [6769](#) [CX050L2AQ](#) [7002-1542-011](#) [7004-1512-000](#) [7009-1511-004](#) [7010-1511-000](#) [7029-1511-060](#) [7101-1541-010](#) [7101-1571-002](#) [7105-1521-002](#) [7145-1521-002](#) [7203-1571-003](#) [7209-1511-011](#) [7210-1511-015](#) [7210-1511-019](#) [73137-5015](#) [73216-2241](#) [7325-1512-000](#) [73404-2300](#) [7405-1521-005](#) [7405-1521-802](#) [7406-1521-005](#) [8527](#) [8547](#) [FS11V](#) [8808-1511-001](#) [9049-9513-000](#) [9074-9513-000](#) [9101-9573-002](#) [910A205F](#) [9130-9573-002](#) [PL11SC-026](#) [PL375-33](#) [PL40-5](#) [PL71-9](#) [PL74C-221](#) [PL75MC-217](#) [PL803-7](#) [980-8666-005](#) [1200690078](#)