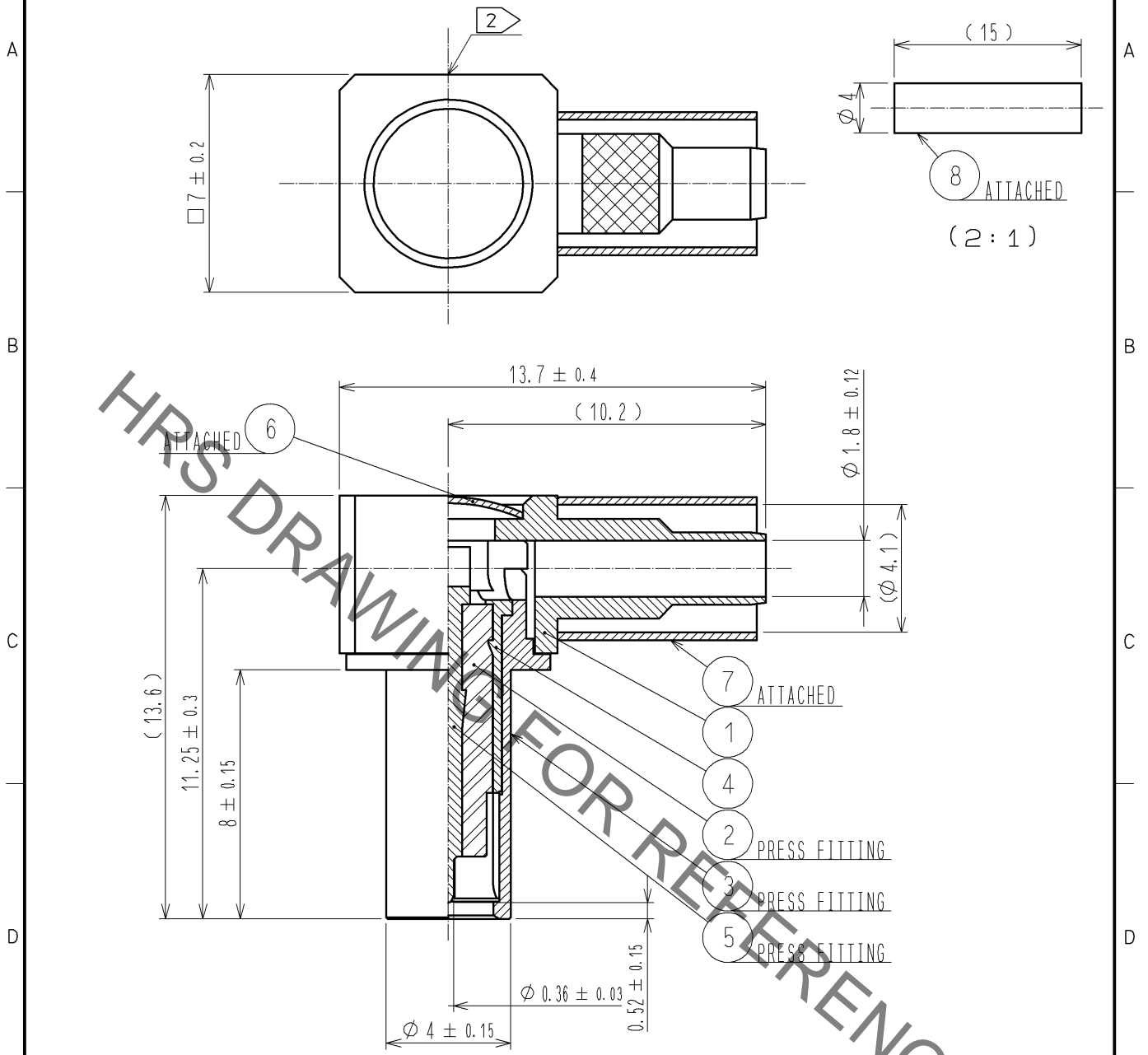


Sep.1.2021 Copyright 2021 HIROSE ELECTRIC CO., LTD. All Rights Reserved.
In case of consideration for using Automotive equipment / device which demand high reliability, kindly contact our sales window correspondents.

ASSEMBLY PROCEDURE : ETAD-J0070

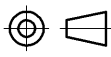


ASSEMBLY TOOL : FOR THE OUTER CONTACT HT303/PO-P-2-T 
FOR THE COVER UM-T-1



NOTE 1. FOR THE USE OF THIS PRODUCT, PUSH IT ON MS-162

 MARKING HRS

4	PHOSHOR BRONZE	NICKEL	8	POLYOLEFIN	HEAT SHRINK TUBING		
3	PHOSHOR BRONZE	NICKEL	7	COPPER	NICKEL		
2	PTFE		6	BRASS	NICKEL		
1	BRASS	NICKEL	5	PHOSHOR BRONZE	GOLD		
NO.	MATERIAL	FINISH .	REMARKS	NO.	MATERIAL	FINISH .	REMARKS

UNITS mm		SCALE 5 : 1	COUNT  1	DESCRIPTION OF REVISIONS DIS-J-001288	DESIGNED RI. SATO	CHECKED TY. OZAKI	DATE 11. 02. 07
HRS HIROSE ELECTRIC CO., LTD. APPROVED : KJ. KAWAMURA 05. 08. 25 CHECKED : TY. OZAKI 05. 08. 25 DESIGNED : YH. MATSUO 05. 08. 24 DRAWN : YH. MATSUO 05. 08. 24				DRAWING NO. EDC4-180547-00 PART NO. MS-162-C(LP)-1 CODE NO. CL358-0222-4-00  1/1			

X-ON Electronics

Largest Supplier of Electrical and Electronic Components

Click to view similar products for [RF Connectors / Coaxial Connectors](#) category:

Click to view products by [Hirose](#) manufacturer:

Other Similar products are found below :

[8915-1511-000](#) [89674-0827](#) [6001-7071-019](#) [6002-7051-003](#) [6002-7551-202](#) [6059674-1](#) [619550-1](#) [630059-000](#) [M39030/3-01N](#) [6500-7071-046](#) [6769](#) [CX050L2AQ](#) [7002-1542-011](#) [7004-1512-000](#) [7009-1511-004](#) [7010-1511-000](#) [7029-1511-060](#) [7101-1541-010](#) [7101-1571-002](#) [7105-1521-002](#) [7145-1521-002](#) [7203-1571-003](#) [7209-1511-011](#) [7210-1511-015](#) [7210-1511-019](#) [73137-5015](#) [73216-2241](#) [7325-1512-000](#) [73404-2300](#) [7405-1521-005](#) [7405-1521-802](#) [7406-1521-005](#) [8527](#) [8547](#) [FS11V](#) [8808-1511-001](#) [9049-9513-000](#) [9074-9513-000](#) [9101-9573-002](#) [910A205F](#) [9130-9573-002](#) [PL11SC-026](#) [PL375-33](#) [PL40-5](#) [PL71-9](#) [PL74C-221](#) [PL75MC-217](#) [PL803-7](#) [980-8666-005](#) [1200690078](#)