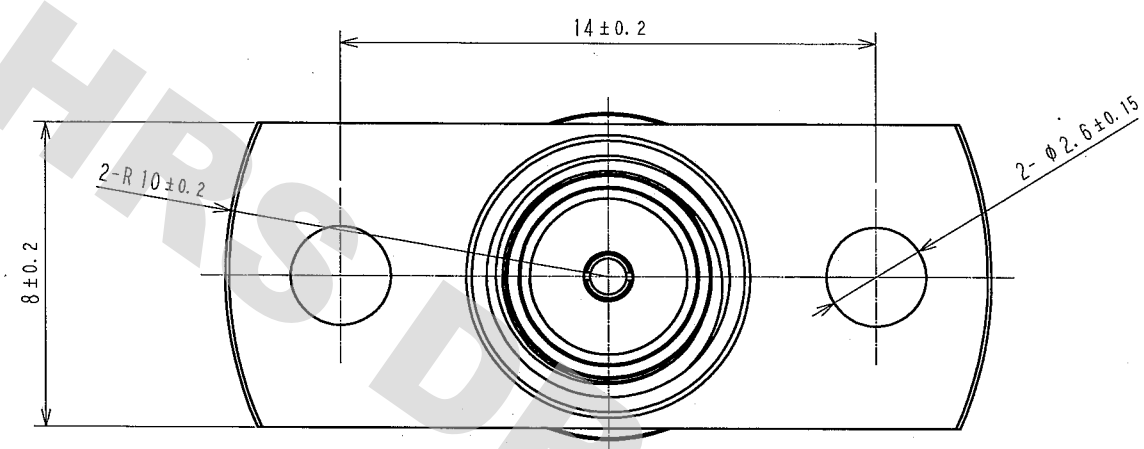
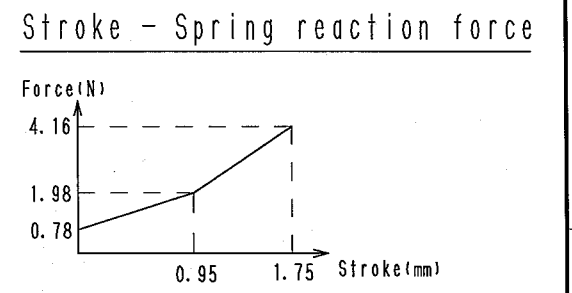
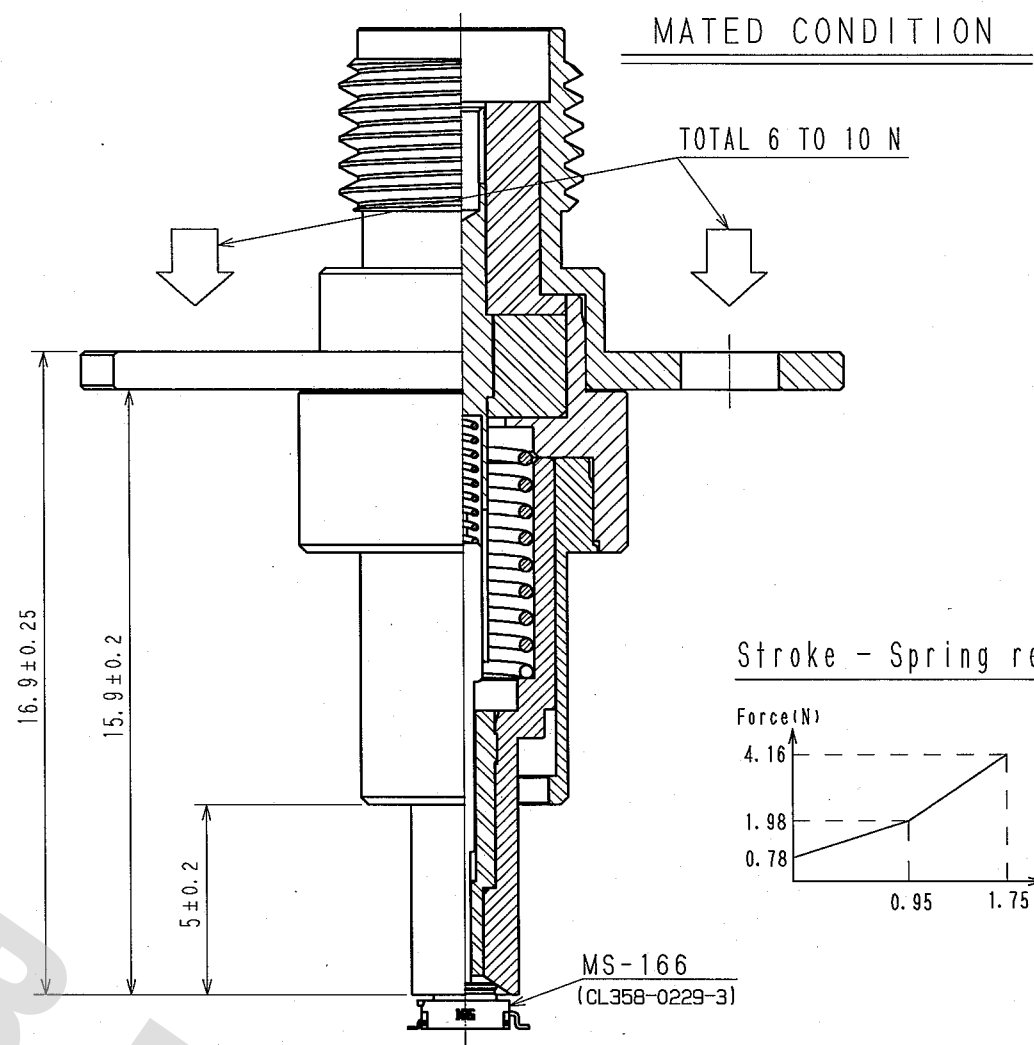
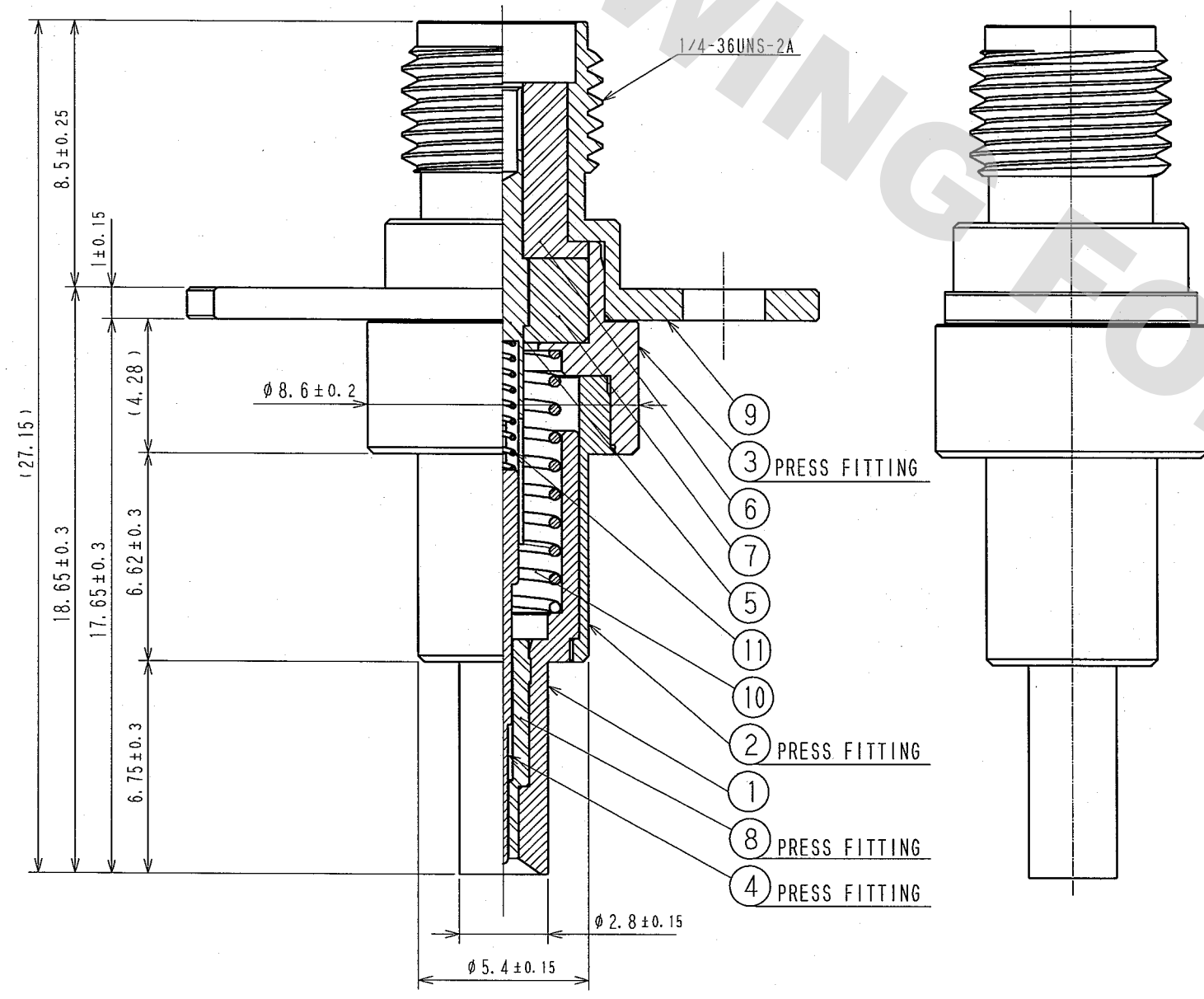


COUNT	DESCRIPTION OF REVISIONS	BY	CHKD	DATE	COUNT	DESCRIPTION OF REVISIONS	BY	CHKD	DATE
△				..	△				..
△				..	△				..
△				..	△				..



UNMATED CONDITION



NOTE 1. After the vertical mating of the adapter (MS-166-HRMJ-1) and the receptacle (MS-166) is completed, adjust the fixture stop and the load force to within 6 to 10 N.

NO.	MATERIAL	FINISH, REMARKS	NO.	MATERIAL	FINISH, REMARKS
6	PTFE		11	STAINLESS	GOLD PLATING
5	BERYLLIUM COPPER	GOLD PLATING	10	STAINLESS	
4	BERYLLIUM COPPER	GOLD PLATING	9	STAINLESS	PASSIVATE
3	BERYLLIUM COPPER	GOLD PLATING	8	PTFE	
2	BERYLLIUM COPPER	NICKEL PLATING	7	PTFE	
1	BERYLLIUM COPPER	GOLD PLATING			

CODE NO.(OLD)	DRAWN T. NAKAGAWA '06.09.26	DESIGNED T. Nakagawa '06.09.28	CHECKED T. Ozaki '06.9.29	APPROVED K. Hanomura '06.9.30	RELEASED
SCALE 5:1 UNITS mm	DRAWING NO. EDC3-180640		PART NO. MS-166-HRMJ-1		
	HRS HIROSE ELECTRIC CO., LTD		CODE NO. CL358-0239-7		1/1

DRAWING FOR REFERENCE: This is subject to change without notice
08/11/2012

TO	
RFD	

X-ON Electronics

Largest Supplier of Electrical and Electronic Components

Click to view similar products for [RF Adapters - In Series](#) category:

Click to view products by [Hirose](#) manufacturer:

Other Similar products are found below :

[5916-1103-603](#) [5918-1103-000](#) [5919-1503-000](#) [651A505](#) [82-5552](#) [9030-9523-502](#) [A0407000](#) [R114703000W](#) [R125704000](#) [R125771001](#)
[R141710000W](#) [R141723161](#) [R141730000](#) [R143730700](#) [R143770000](#) [R161703000W](#) [R161730000](#) [R161753000W](#) [R161791530W](#)
[R201705000](#) [R222705200](#) [R222M40010W](#) [R316754000](#) [R405006000](#) [R443162000](#) [AD78TL](#) [HRM-513S](#) [1996352-2](#) [2157155-1](#) [252169-75](#)
[AD158](#) [2101130-1](#) [252186](#) [R114704000W](#) [R114720000W](#) [R125705001](#) [R125705701](#) [R125771000](#) [R125771001W](#) [R125791501W](#)
[R127704001](#) [R127.870.001](#) [R127872001](#) [R141717000](#) [R142710000](#) [R142723000](#) [R143703000](#) [R143704000](#) [R143705700](#) [R143710000](#)