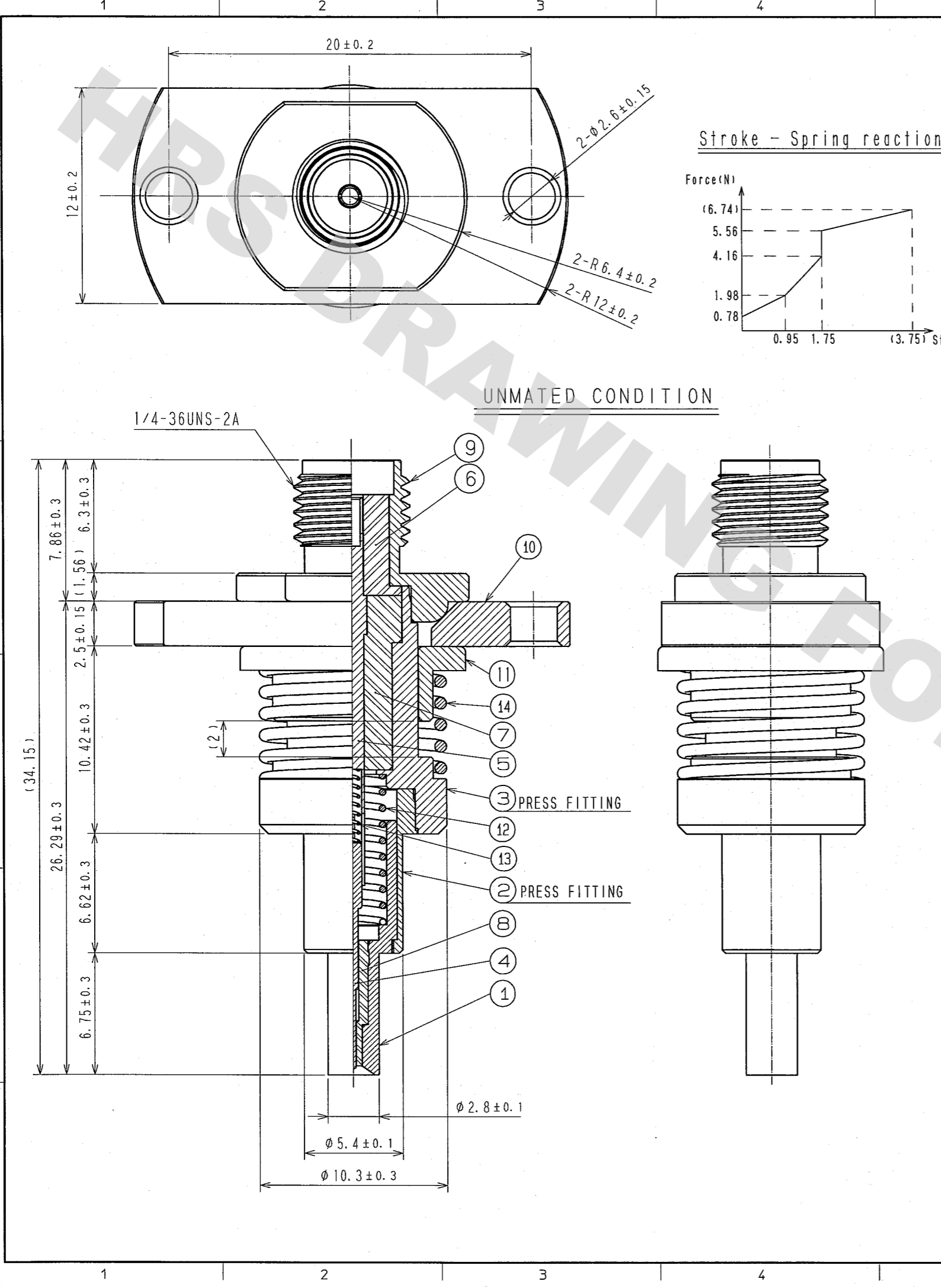
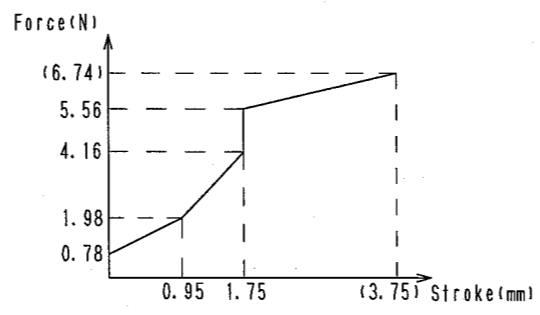


DRAWING FOR REFERENCE: This is subject to change without notice
08/11/2012

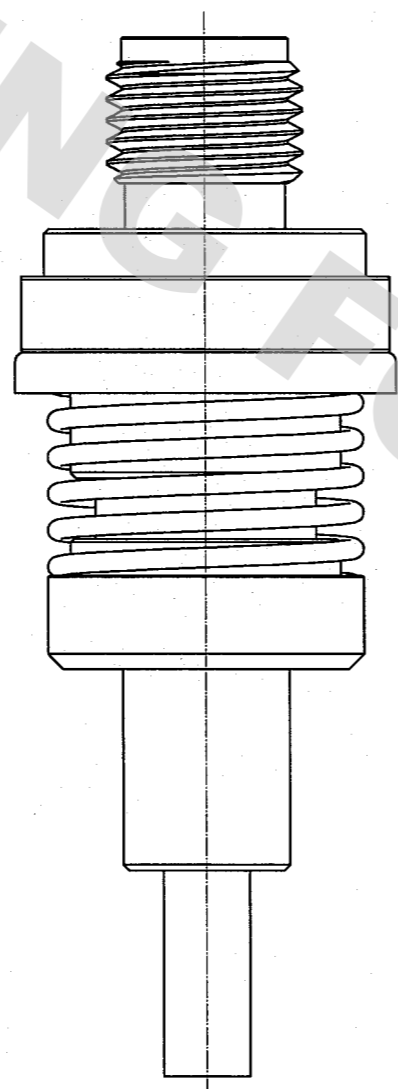
TO
RFD



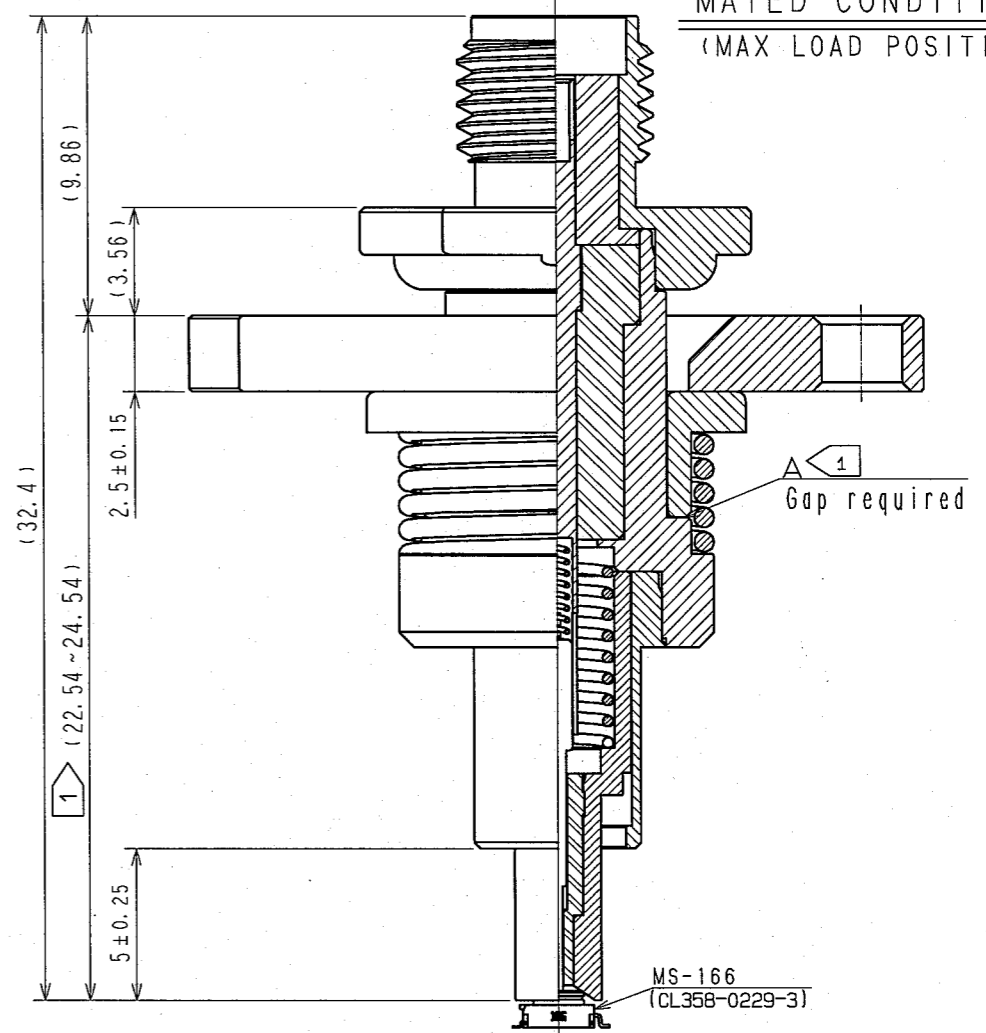
Stroke - Spring reaction force



UNMATED CONDITION



MATED CONDITION (MAX LOAD POSITION)



Note 1 The stroke control dimension, fluctuates depending on the mounting condition and as such, it is a reference value. At time of use, check that the pressure spring moves free and that there is a gap between the part 3 and 11 (position A).

7	PTFE		14	STAINLESS STEEL	
6	PTFE		13	STAINLESS STEEL	GOLD PLATING
5	BERYLLIUM COPPER	GOLD PLATING	12	STAINLESS STEEL	
4	BERYLLIUM COPPER	GOLD PLATING	11	PHOSPHOR BRONZE	NICKEL PLATING
3	BERYLLIUM COPPER	GOLD PLATING	10	STAINLESS STEEL	PASSIVATE
2	BERYLLIUM COPPER	NICKEL PLATING	9	STAINLESS STEEL	PASSIVATE
1	BERYLLIUM COPPER	GOLD PLATING	8	PTFE	
NO.	MATERIAL	FINISH, REMARKS	NO.	MATERIAL	FINISH, REMARKS

CODE NO.(OLD)		DRAWN	DESIGNED	CHECKED	APPROVED	RELEASED
		T. NAKAGAWA '06.10.10	J. Nakagawa '06.10.12	J. Gaki '06.10.12	H. Hamomura '06.10.12	
DRAWING NO.		PART NO.				
EDC3-180607		MS-166-HRMJ-F 1				
SCALE		CODE NO.				
4 : 1		CL358-0230-2				
UNITS		HIROSE ELECTRIC CO., LTD				
mm						

X-ON Electronics

Largest Supplier of Electrical and Electronic Components

Click to view similar products for [RF Adapters - In Series](#) category:

Click to view products by [Hirose](#) manufacturer:

Other Similar products are found below :

[5916-1103-603](#) [5918-1103-000](#) [5919-1503-000](#) [651A505](#) [82-5552](#) [9030-9523-502](#) [A0407000](#) [R114703000W](#) [R125704000](#) [R125771001](#)
[R141710000W](#) [R141723161](#) [R141730000](#) [R143730700](#) [R143770000](#) [R161703000W](#) [R161730000](#) [R161753000W](#) [R161791530W](#)
[R201705000](#) [R222705200](#) [R222M40010W](#) [R316754000](#) [R405006000](#) [R443162000](#) [AD78TL](#) [HRM-513S](#) [1996352-2](#) [2157155-1](#) [252169-75](#)
[AD158](#) [2101130-1](#) [252186](#) [R114704000W](#) [R114720000W](#) [R125705001](#) [R125705701](#) [R125771000](#) [R125771001W](#) [R125791501W](#)
[R127704001](#) [R127.870.001](#) [R127872001](#) [R141717000](#) [R142710000](#) [R142723000](#) [R143703000](#) [R143704000](#) [R143705700](#) [R143710000](#)