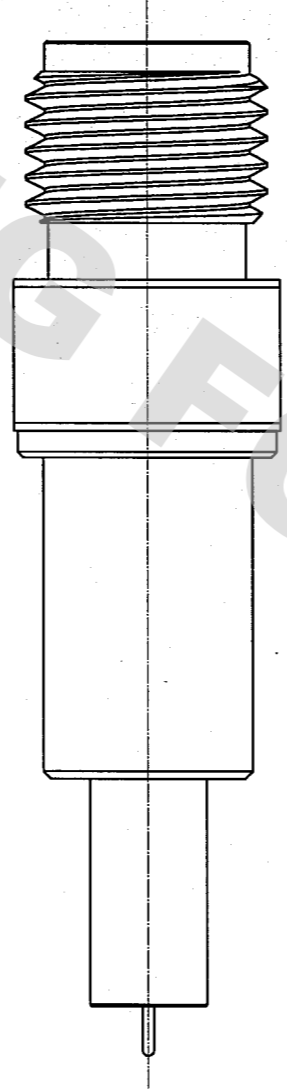
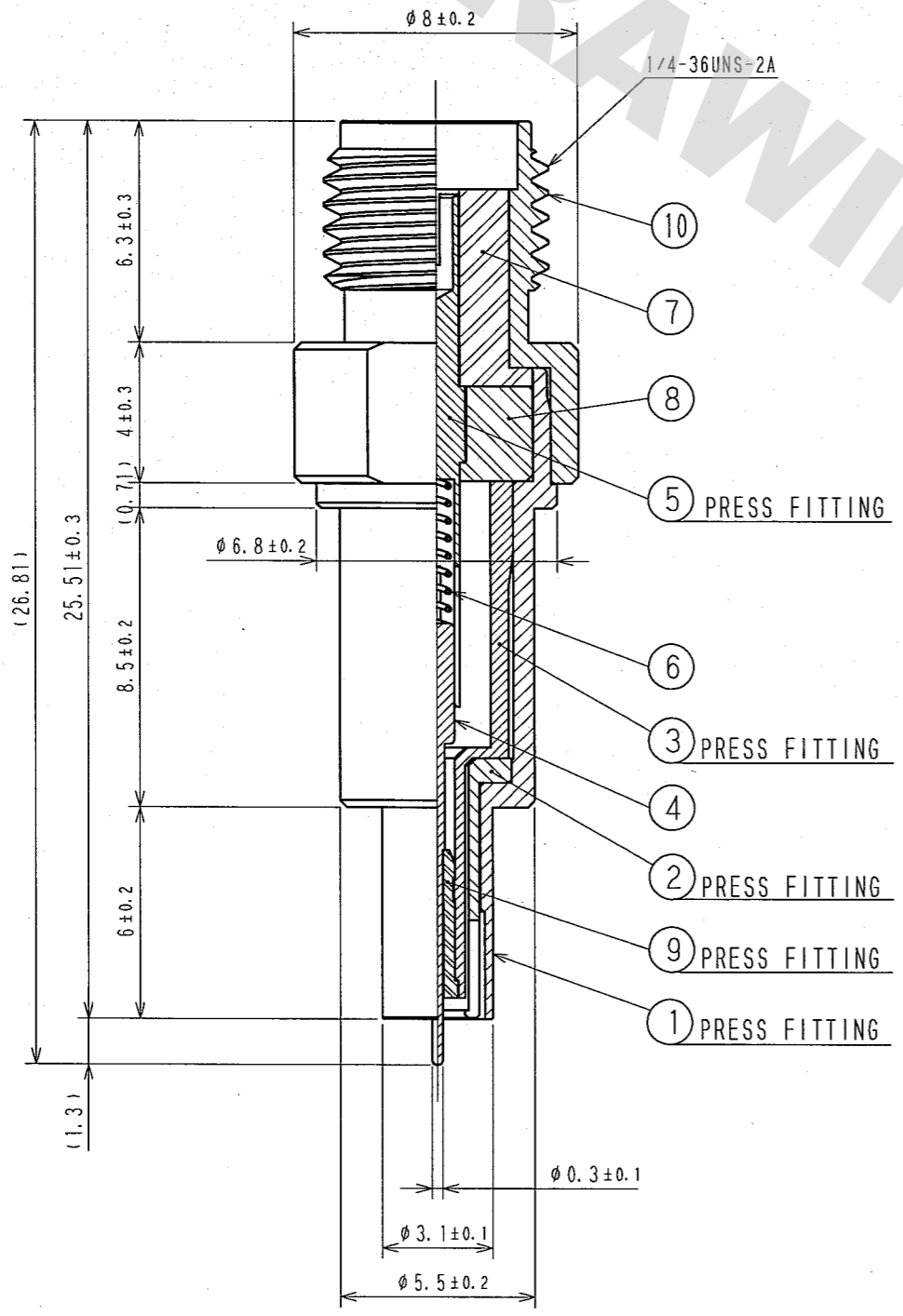
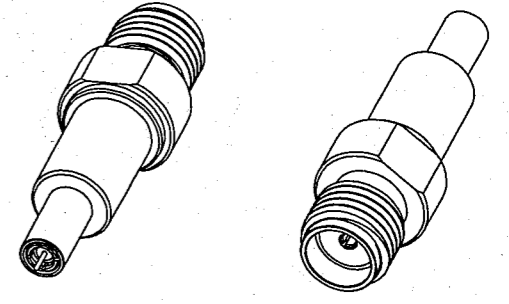
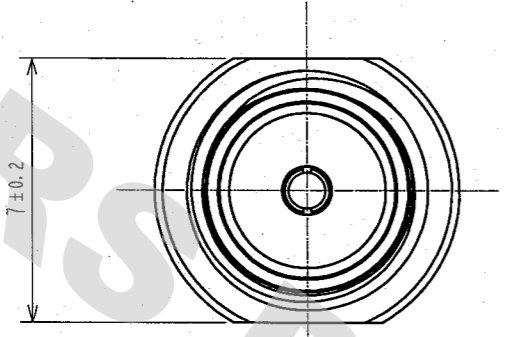


COUNT	DESCRIPTION OF REVISIONS	BY	CHKD	DATE	COUNT	DESCRIPTION OF REVISIONS	BY	CHKD	DATE
△				..	△				..
△				..	△				..
△				..	△				..



NOTE 1. Use this product in the mated condition with MS-166 (CL358-0229-3).

5	BERYLLIUM COPPER	GOLD PLATING	10	STAINLESS STEEL	PASSIVATE
4	BERYLLIUM COPPER	GOLD PLATING	9	PTFE	
3	PHOSPHOR BRONZE	NICKEL PLATING	8	PTFE	
2	BERYLLIUM COPPER	GOLD PLATING	7	PTFE	
1	STAINLESS STEEL	PASSIVATE	6	STAINLESS STEEL	GOLD PLATING
NO.	MATERIAL	FINISH, REMARKS	NO.	MATERIAL	FINISH, REMARKS

CODE NO.(OLD)	DRAWN	DESIGNED	CHECKED	APPROVED	RELEASED
	T. NAKAGAWA	T. NAKAGAWA	<i>T. Nakagawa</i>	<i>T. Nakagawa</i>	..
	'06.12.01	'06.12.01	'06.12.04	'06.12.07	

SCALE 5 : 1	DRAWING NO. EDC3-180650	PART NO. MS-166-HRMJ-H1
UNITS mm	HRS HIROSE ELECTRIC CO., LTD	CODE NO. CL358-0241-9

1/1

DRAWING FOR REFERENCE: This is subject to change without notice
08/11/2012

TO	RFD

X-ON Electronics

Largest Supplier of Electrical and Electronic Components

Click to view similar products for [RF Adapters - In Series](#) category:

Click to view products by [Hirose](#) manufacturer:

Other Similar products are found below :

[5916-1103-603](#) [5918-1103-000](#) [5919-1503-000](#) [651A505](#) [82-5552](#) [9030-9523-502](#) [A0407000](#) [R114703000W](#) [R125704000](#) [R125771001](#)
[R141710000W](#) [R141723161](#) [R141730000](#) [R143730700](#) [R143770000](#) [R161703000W](#) [R161730000](#) [R161753000W](#) [R161791530W](#)
[R201705000](#) [R222705200](#) [R222M40010W](#) [R316754000](#) [R405006000](#) [R443162000](#) [AD78TL](#) [HRM-513S](#) [1996352-2](#) [2157155-1](#) [252169-75](#)
[AD158](#) [2101130-1](#) [252186](#) [R114704000W](#) [R114720000W](#) [R125705001](#) [R125705701](#) [R125771000](#) [R125771001W](#) [R125791501W](#)
[R127704001](#) [R127.870.001](#) [R127872001](#) [R141717000](#) [R142710000](#) [R142723000](#) [R143703000](#) [R143704000](#) [R143705700](#) [R143710000](#)