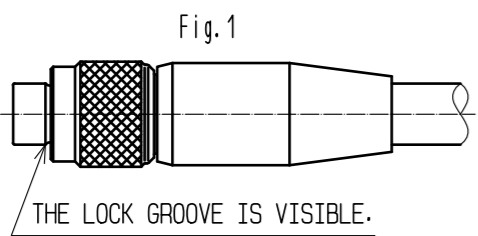
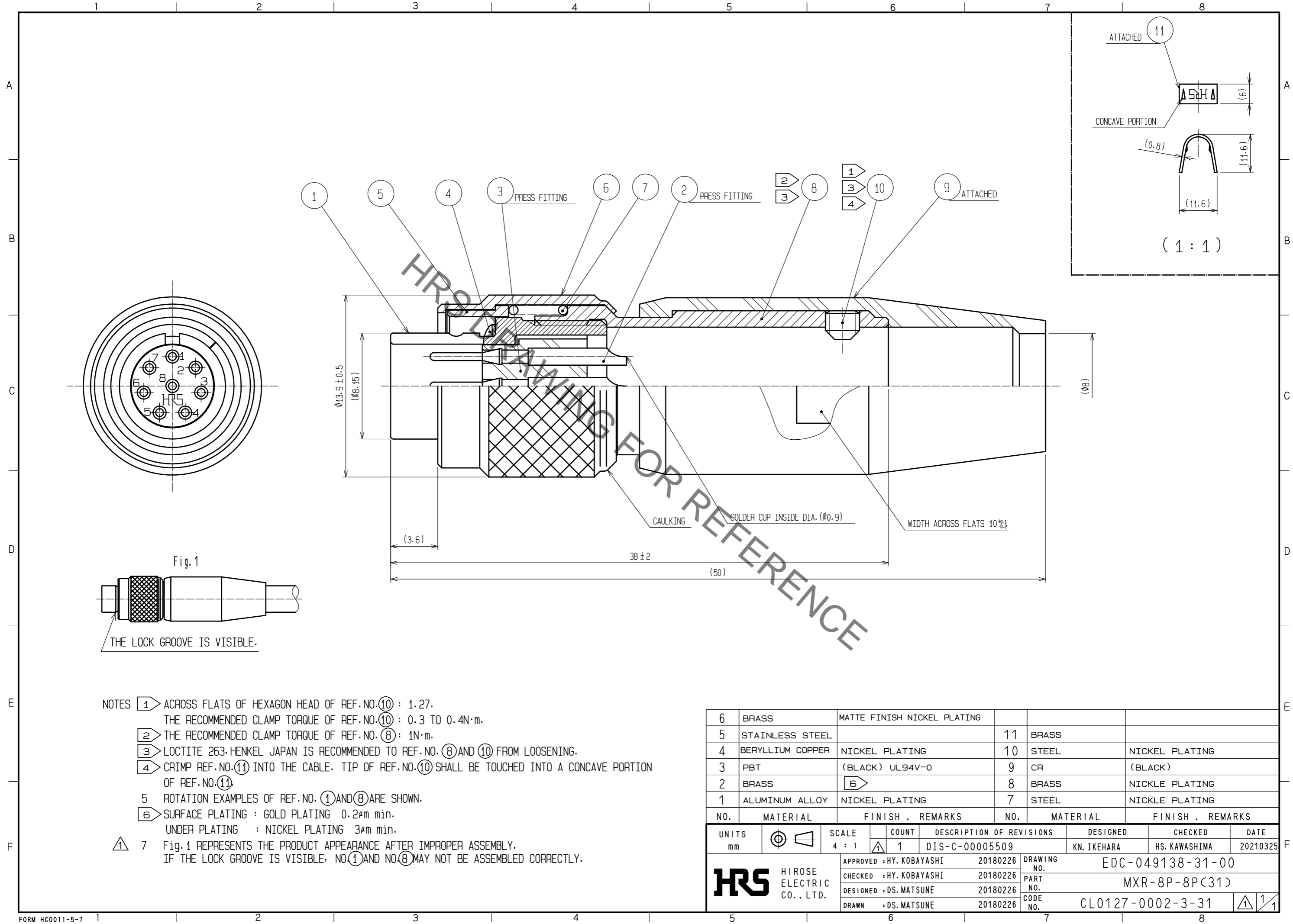


Sep.1.2021 Copyright 2021 HIROSE ELECTRIC CO., LTD. All Rights Reserved.
In case of consideration for using Automotive equipment / device which demand high reliability, kindly contact our sales window correspondents.



- NOTES
- ① ACROSS FLATS OF HEXAGON HEAD OF REF.NO.⑩ : 1.27.
THE RECOMMENDED CLAMP TORQUE OF REF.NO.⑩ : 0.3 TO 0.4N·m.
 - ② THE RECOMMENDED CLAMP TORQUE OF REF.NO.⑧ : 1N·m.
 - ③ LOCTITE 263·HENKEL JAPAN IS RECOMMENDED TO REF.NO.⑧ AND ⑩ FROM LOOSENING.
 - ④ CRIMP REF.NO.⑪ INTO THE CABLE. TIP OF REF.NO.⑩ SHALL BE TOUCHED INTO A CONCAVE PORTION OF REF.NO.⑪
 - ⑤ ROTATION EXAMPLES OF REF.NO.① AND ⑧ ARE SHOWN.
 - ⑥ SURFACE PLATING : GOLD PLATING 0.2µm min.
UNDER PLATING : NICKEL PLATING 3µm min.
 - △ 7 Fig.1 REPRESENTS THE PRODUCT APPEARANCE AFTER IMPROPER ASSEMBLY.
IF THE LOCK GROOVE IS VISIBLE, NO① AND NO⑧ MAY NOT BE ASSEMBLED CORRECTLY.

NO.	MATERIAL	FINISH . REMARKS	NO.	MATERIAL	FINISH . REMARKS
6	BRASS	MATTE FINISH NICKEL PLATING			
5	STAINLESS STEEL		11	BRASS	
4	BERYLLIUM COPPER	NICKEL PLATING	10	STEEL	NICKEL PLATING
3	PBT	(BLACK) UL94V-0	9	CR	(BLACK)
2	BRASS	⑥	8	BRASS	NICKLE PLATING
1	ALUMINUM ALLOY	NICKEL PLATING	7	STEEL	NICKLE PLATING

UNITS	SCALE	COUNT	DESCRIPTION OF REVISIONS	DESIGNED	CHECKED	DATE
mm	4 : 1	1	DIS-C-00005509	KN. IKEHARA	HS. KAWASHIMA	20210325

APPROVED	HY. KOBAYASHI	20180226	DRAWING NO.	EDC-049138-31-00
CHECKED	HY. KOBAYASHI	20180226	PART NO.	MXR-8P-8P(31)
DESIGNED	DS. MATSUNE	20180226	CODE NO.	CL0127-0002-3-31
DRAWN	DS. MATSUNE	20180226		

X-ON Electronics

Largest Supplier of Electrical and Electronic Components

Click to view similar products for [Circular Push Pull Connectors](#) category:

Click to view products by [Hirose](#) manufacturer:

Other Similar products are found below :

[6407-249V-11273P](#) [6408-201V-13273](#) [6408-202V-13343](#) [6408-202V-17343](#) [EZG.0B.309.CLN](#) [FFA.2S.310.ZLA](#) [FGA.1B.307.CYCD72Z](#)
[FGJ.1B.304.CLLD76](#) [FGJ.1B.306.CWLD72](#) [FGJ.3B.304.CYMD10Z](#) [FGJ.3B.304.CYMD82Z](#) [PCS.01.250.DLLE24](#) [PHG.0K.305.CYMC40Z](#)
[PHG.1K.308.CLLK85](#) [PKG.M0.6BL.LZ](#) [PLC.M1.0SL.LA](#) [GMA.10.290.DN](#) [GMA.3B.090.DA](#) [PRG.M0.6GL.LC52GZ](#) [PSA.1S.275.CTLC66](#)
[ABF.1S.250.NTA](#) [133020F](#) [1331ER193MZ](#) [1332M107MZ](#) [DTS26Z19-32JA-LC](#) [DTS26Z19-32SA](#) [DTS26Z19-32SA-LC](#) [DTS26Z23-55HA](#)
[DTS26Z23-55HA-LC](#) [DTS26Z23-55JA-LC](#) [EAJ.1B.306.CWA](#) [ECG.XB.312.CLL](#) [1589430-2](#) [EEA.0B.305.CLN](#) [EEA.0B.309.CLL](#)
[ELF.00.250.NTL](#) [ERA.01.250.DLL](#) [BRD.0B.200.PCSG](#) [BRR.2S.200.PZVG](#) [HR10A-P](#) [CAH.M34.SLL.C72GZ](#) [CAJ.M34.SLL.C72GZ](#)
[300500](#) [ESB.00.303.NLL](#) [EXG.0B.309.HLN](#) [FFB.1S.250.CLAC27](#) [FGA.2B.306.CYCD92](#) [FGA.2B.306.CYCD92Z](#) [FGA.XB.312.CLAD72](#)
[FGJ.1B.302.CYMD62](#)