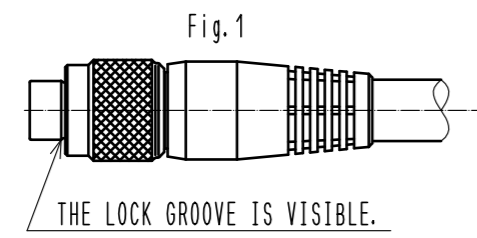
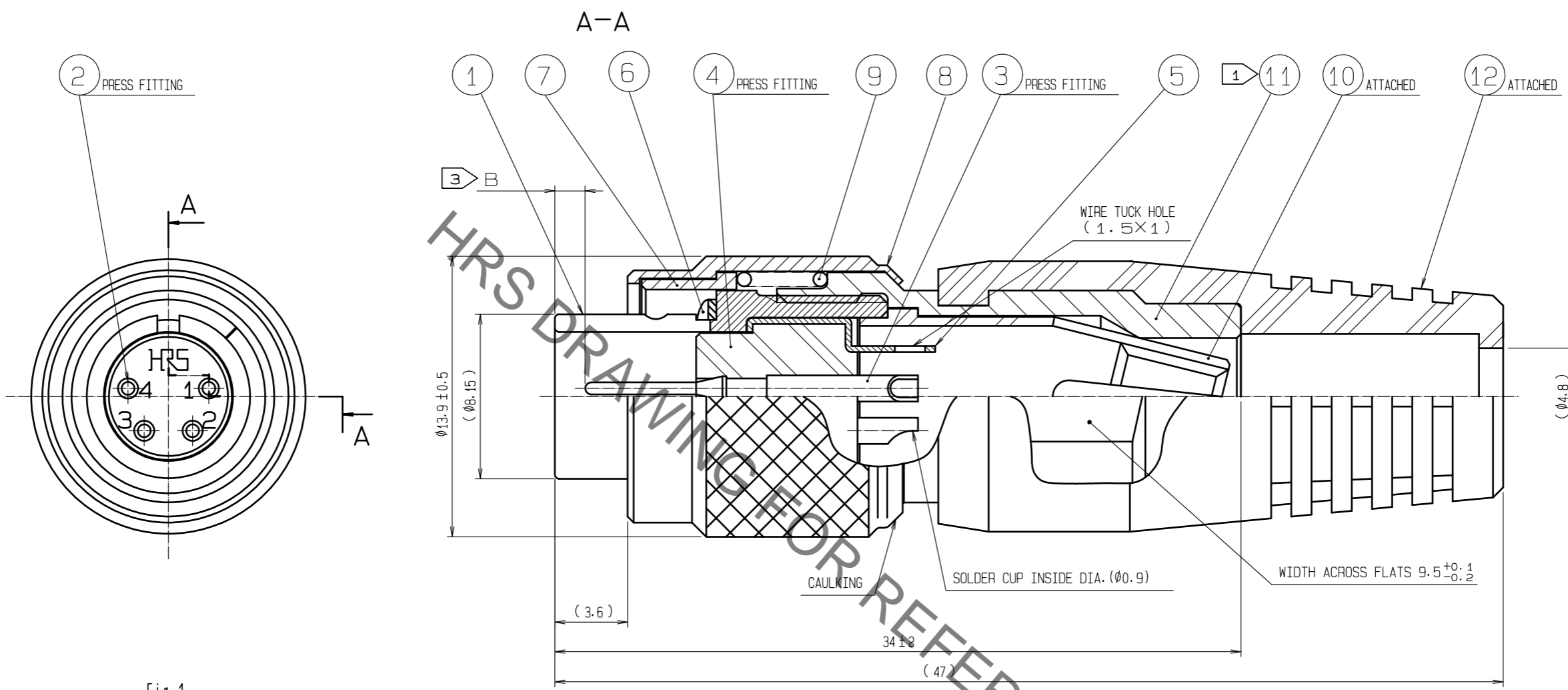


Sep.1.2021 Copyright 2021 HIROSE ELECTRIC CO., LTD. All Rights Reserved.
 In case of consideration for using Automotive equipment / device which demand high reliability, kindly contact our sales window correspondents.



- NOTES
- ① THE RECOMMENDED CLAMP TORQUE OF REF.NO.⑪ : 1 N·m.
LOCTITE 263,HENKEL JAPAN IS RECOMMENDED TO REF.NO.⑪ FROM LOOSENING.
 - ② ROTATION EXAMPLES OF REF.NO.① AND ⑪ ARE SHOWN.
 - ③ B DIMENSION IS FOLLOWING. CONTACT NO.1 : (1.5)
CONTACT NO.2 TO 4 : (3)
 - ④ SURFACE PLATING : GOLD PLATING 0.2μm min.
UNDER PLATING : NICKEL PLATING 3μm min.
 - ⚠ 5 Fig.1 REPRESENTS THE PRODUCT APPEARANCE AFTER IMPROPER ASSEMBLY.
IF THE LOCK GROOVE IS VISIBLE, NO① AND NO⑪ MAY NOT BE ASSEMBLED CORRECTLY.

NO.	MATERIAL	FINISH . REMARKS	NO.	MATERIAL	FINISH . REMARKS
6	BERYLLIUM COPPER	NICKEL PLATING	12	SIR	(BLACK)
5	PHOSPHOR BRONZE	TIN PLATING	11	BRASS	NICKEL PLATING
4	PBT	(BLACK) UL94V-0	10	POLYACETAL	
3	BRASS	④	9	STEEL	NICKLE PLATING
2	BRASS	④	8	BRASS	MATTE FINISH NICKEL PLATING
1	ALUMINUM ALLOY	NICKEL PLATING	7	STAINLESS STEEL	

UNITS mm		SCALE 4 : 1	COUNT 1	DESCRIPTION OF REVISIONS DIS-C-00005509	DESIGNED KN. IKEHARA	CHECKED HS. KAWASHIMA	DATE 20210325
HRS HIROSE ELECTRIC CO., LTD.		APPROVED : MR. YOSHIDA	20050105	DRAWING NO. EDC3-110275-71		PART NO. MXR-8PA-4PB(71)	
		CHECKED : MO. SATOH	20050105	CODE NO. CL0127-0004-9-71			
		DESIGNED : YH. YAMADA	20050105				
		DRAWN : YH. YAMADA	20050105				

X-ON Electronics

Largest Supplier of Electrical and Electronic Components

Click to view similar products for [Circular Push Pull Connectors](#) category:

Click to view products by [Hirose](#) manufacturer:

Other Similar products are found below :

[6407-249V-11273P](#) [6408-201V-13273](#) [6408-202V-13343](#) [6408-202V-17343](#) [EZG.0B.309.CLN](#) [FFA.2S.310.ZLA](#) [FGA.1B.307.CYCD72Z](#)
[FGJ.1B.304.CLLD76](#) [FGJ.1B.306.CWLD72](#) [FGJ.3B.304.CYMD10Z](#) [FGJ.3B.304.CYMD82Z](#) [PCS.01.250.DLLE24](#) [PHG.0K.305.CYMC40Z](#)
[PHG.1K.308.CLLK85](#) [PKG.M0.6BL.LZ](#) [PLC.M1.0SL.LA](#) [GMA.10.290.DN](#) [GMA.3B.090.DA](#) [PRG.M0.6GL.LC52GZ](#) [PSA.1S.275.CTLC66](#)
[ABF.1S.250.NTA](#) [133020F](#) [1331ER193MZ](#) [1332M107MZ](#) [DTS26Z19-32JA-LC](#) [DTS26Z19-32SA](#) [DTS26Z19-32SA-LC](#) [DTS26Z23-55HA](#)
[DTS26Z23-55HA-LC](#) [DTS26Z23-55JA-LC](#) [EAJ.1B.306.CWA](#) [ECG.XB.312.CLL](#) [1589430-2](#) [EEA.0B.305.CLN](#) [EEA.0B.309.CLL](#)
[ELF.00.250.NTL](#) [ERA.01.250.DLL](#) [BRD.0B.200.PCSG](#) [BRR.2S.200.PZVG](#) [HR10A-P](#) [CAH.M34.SLL.C72GZ](#) [CAJ.M34.SLL.C72GZ](#)
[300500](#) [ESB.00.303.NLL](#) [EXG.0B.309.HLN](#) [FFB.1S.250.CLAC27](#) [FGA.2B.306.CYCD92](#) [FGA.2B.306.CYCD92Z](#) [FGA.XB.312.CLAD72](#)
[FGJ.1B.302.CYMD62](#)