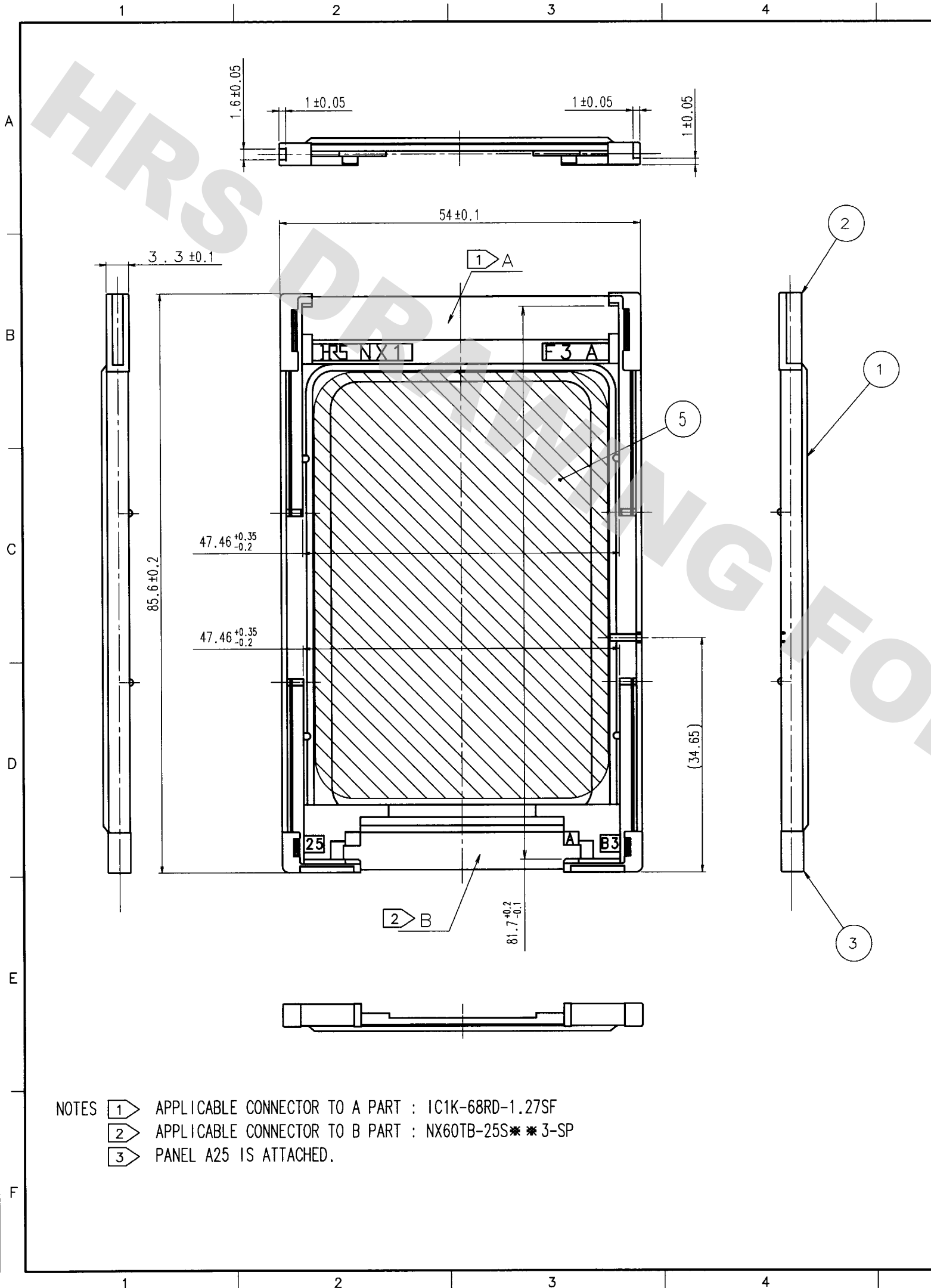
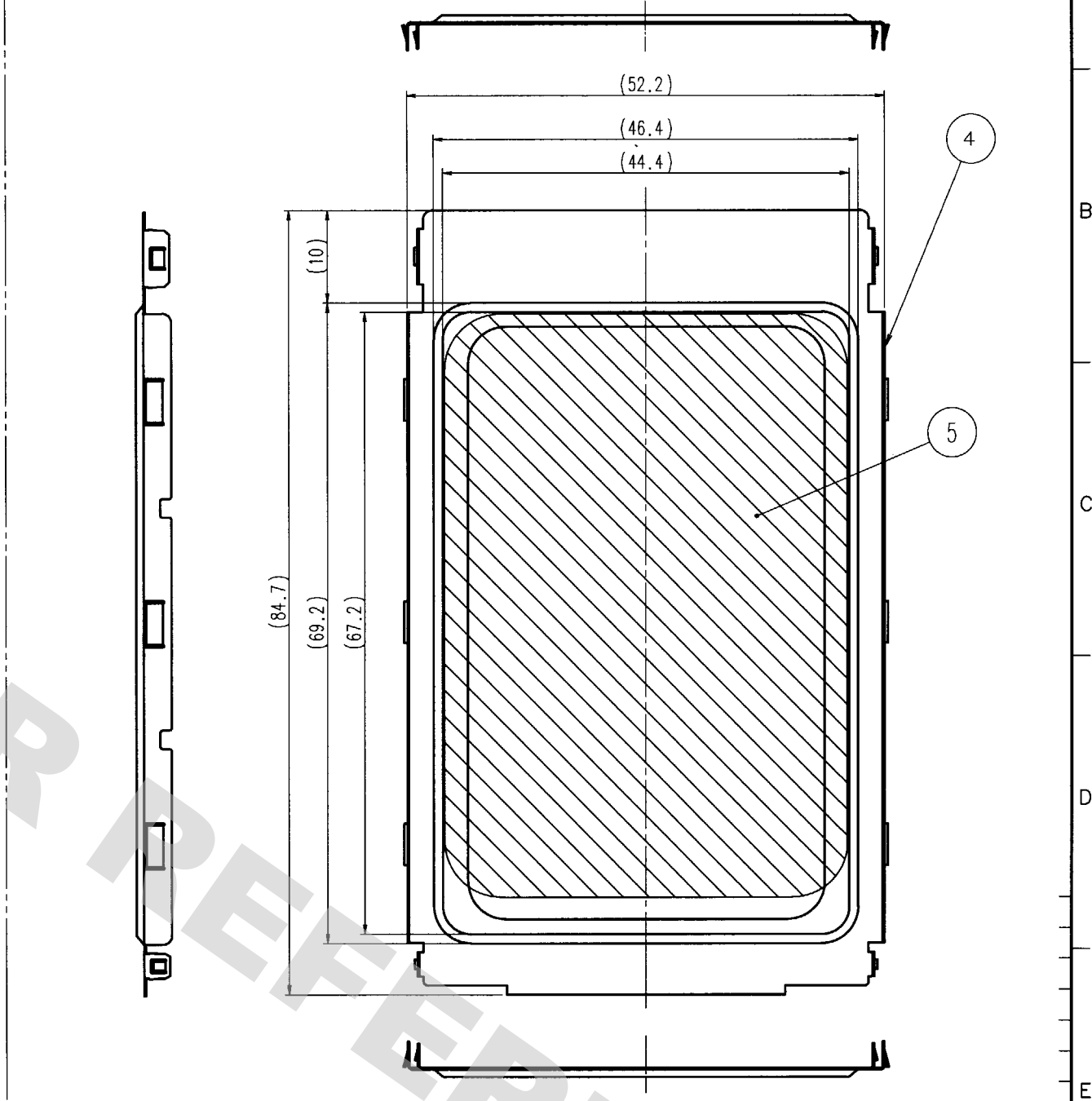


DRAWING FOR REFERENCE: This is subject to change without notice
08/11/2012



COUNT	DESCRIPTION OF REVISIONS	BY	CHKD	DATE	COUNT	DESCRIPTION OF REVISIONS	BY	CHKD	DATE

3 < PANEL A25 >



- NOTES
- 1 APPLICABLE CONNECTOR TO A PART : IC1K-68RD-1.27SF
 - 2 APPLICABLE CONNECTOR TO B PART : NX60TB-25S**3-SP
 - 3 PANEL A25 IS ATTACHED.

TO
PCK

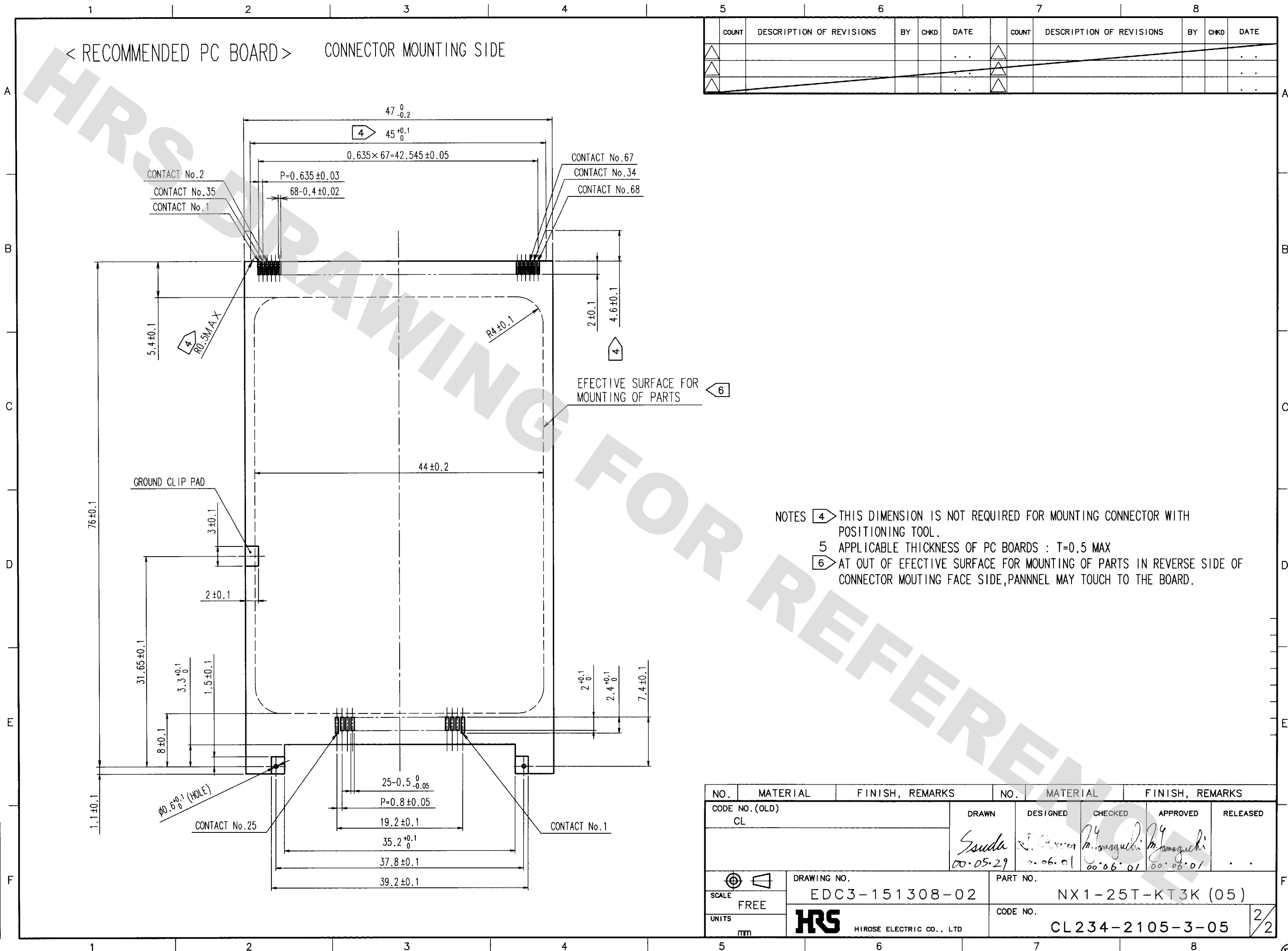
NO.	MATERIAL	FINISH, REMARKS	NO.	MATERIAL	FINISH, REMARKS
2	PBT	(BLACK) UL94V-0	5	POLYESTER	(BLACK) UL510-FR
1	STAINLESS STEEL	DULL PROCESSING MATERIAL	4	STAINLESS STEEL	DULL PROCESSING MATERIAL
			3	PBT	(BLACK) UL94V-0

CODE NO. (OLD) CL	DRAWN <i>Suda</i> 00-05-29	DESIGNED <i>S. Hara</i> 00-05-01	CHECKED <i>M. Yamaguchi</i> 00-06-01	APPROVED <i>M. Yamaguchi</i> 00-06-01	RELEASED
----------------------	----------------------------------	--	--	---	----------

SCALE FREE	DRAWING NO. EDC3-151308-02	PART NO. NX1-25T-KT3K (05)
UNITS mm	HRS HIROSE ELECTRIC CO., LTD	CODE NO. CL234-2105-3-05

DRAWING FOR REFERENCE: This is subject to change without notice
08/11/2012

TO
PCK



COUNT	DESCRIPTION OF REVISIONS	BY	CHKD	DATE	COUNT	DESCRIPTION OF REVISIONS	BY	CHKD	DATE

NOTES
 4 THIS DIMENSION IS NOT REQUIRED FOR MOUNTING CONNECTOR WITH POSITIONING TOOL.
 5 APPLICABLE THICKNESS OF PC BOARDS : T=0.5 MAX
 6 AT OUT OF EFFECTIVE SURFACE FOR MOUNTING OF PARTS IN REVERSE SIDE OF CONNECTOR MOUNTING FACE SIDE, PANNEL MAY TOUCH TO THE BOARD.

NO.	MATERIAL	FINISH, REMARKS	NO.	MATERIAL	FINISH, REMARKS
CODE NO. (OLD)	CL		DRAWN	DESIGNED	CHECKED
			APPROVED	RELEASED	
DRAWING NO. EDC3-151308-02			PART NO. NX1-25T-KT3K (05)		
SCALE FREE			CODE NO. CL234-2105-3-05		
UNITS mm			HRS HIROSE ELECTRIC CO., LTD		

X-ON Electronics

Largest Supplier of Electrical and Electronic Components

Click to view similar products for [Memory Card Connectors](#) category:

Click to view products by [Hirose](#) manufacturer:

Other Similar products are found below :

[M21-033321-005](#) [6407-249V-25273P](#) [6407-249V-25343P](#) [6426-201-21343](#) [69.920.0553.0](#) [FCN-568P068-G/07-4V](#) [809180410000000](#)
[N7E50-7516PG-20-WF](#) [21920-5](#) [2041353-2](#) [33CFAE-DN](#) [502431-1011](#) [EN2997S61212BN](#) [EN2997SE61212BN](#) [95622-003LF](#) [N7E50-](#)
[U516RB-50-SIN0005](#) [95079-00CALF](#) [84648-056HLF](#) [68-580163-21S](#) [33DVIR-29S12R](#) [125A-78C00](#) [MI20A-50PD-SF-EJL\(71\)](#) [KP10S-SF-](#)
[PEJ\(812\)](#) [504536-0691](#) [504580-0691](#) [CCM03-3109 B LFT](#) [2309923-1](#) [61126-050CAHLF](#) [IC1GA-68PD-1.27DS-EJ\(72\)](#) [GTFP08432B1HR](#)
[G85DT17001P1EU](#) [G85B21611142HHR](#) [GSD090144HR](#) [G85D1140022P1HR](#) [GMCB05801124EU](#) [112K-TAA0-RA1](#) [115S-ACA2](#) [115S-](#)
[ACA3](#) [115S-BS00](#) [115S-BT00](#) [115V-AD00](#) [MCSP-Q1-08-A-SG-T/R](#) [503960-0695](#) [101B-TAA0-R](#) [101D-TAAA-R01](#) [101D-TAAB-R01](#)
[104D-TCA0-R06](#) [104B-TAA0-R](#) [112C-TBAR-R02](#) [114B-40B00-R02](#)