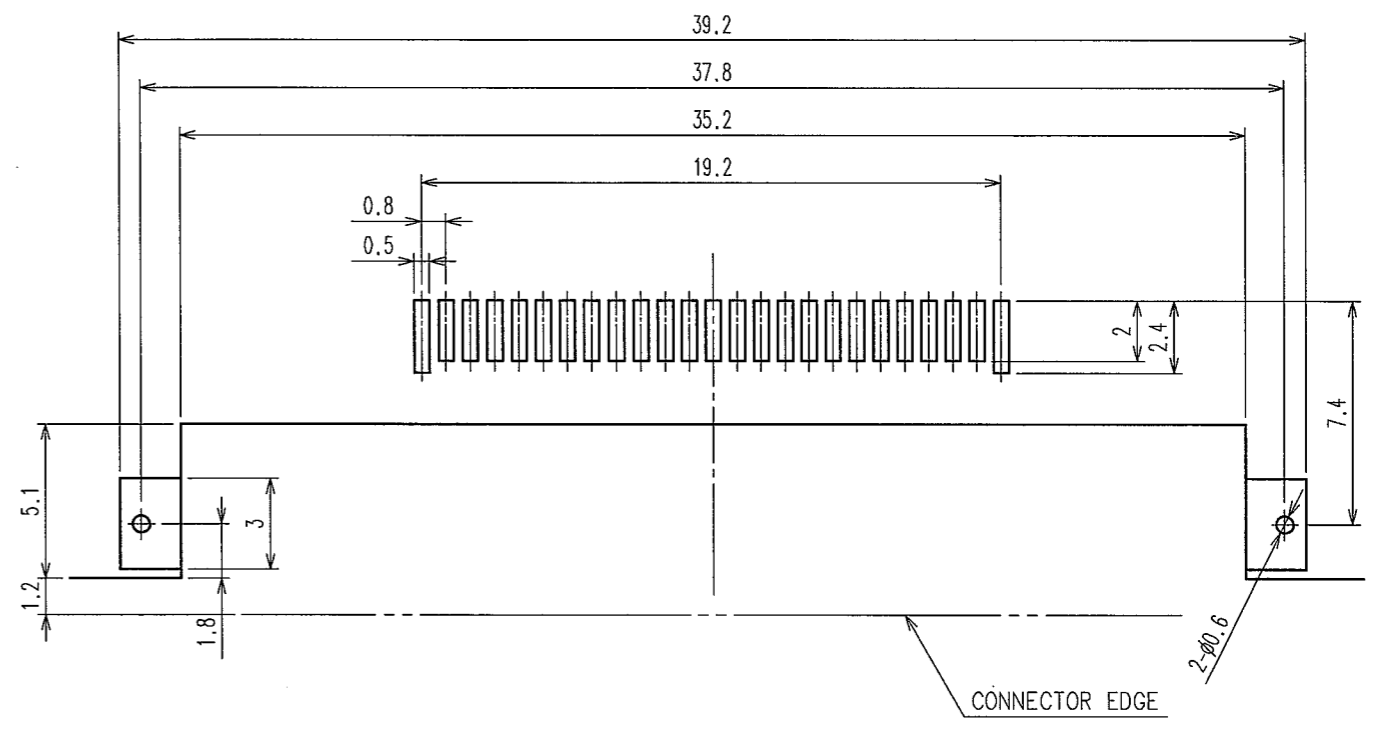


DRAWING FOR REFERENCE: This is subject to change without notice
08/11/2012

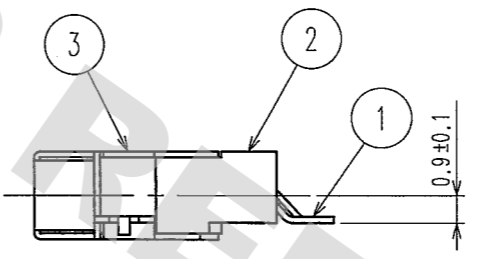
TO
Q

COUNT	DESCRIPTION OF REVISIONS	BY	CHKD	DATE	COUNT	DESCRIPTION OF REVISIONS	BY	CHKD	DATE

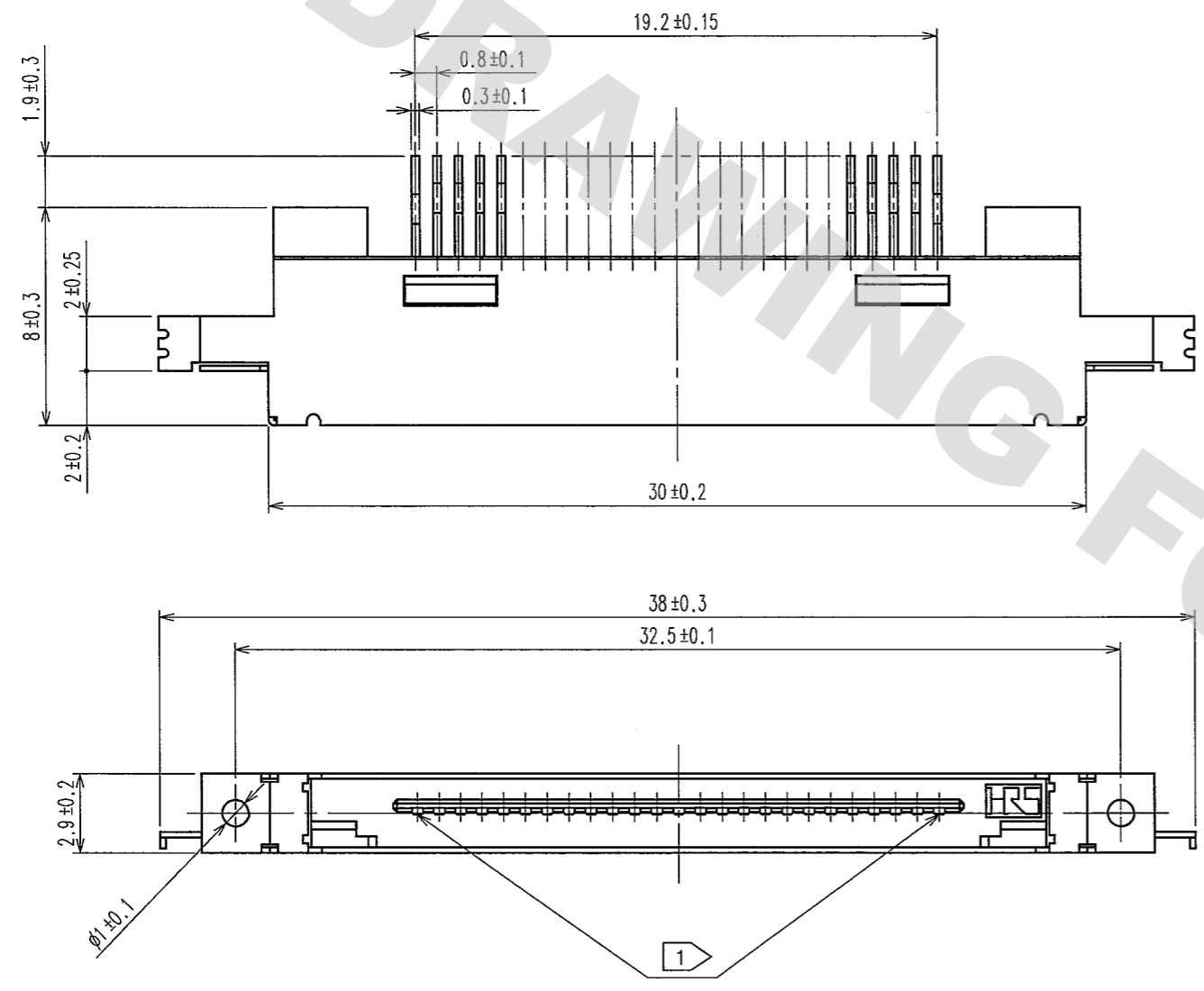
RECOMMENDED LAND PATTERN DIMENSION OF PCB.



NOTE. TOLERANCES TO BE ± 0.1 UNLESS OTHERWISE SPECIFIED.



NOTE 1 CONTACTS ON BOTH SIDES ARE SEQUENCE STRUCTURE(0.4mm).

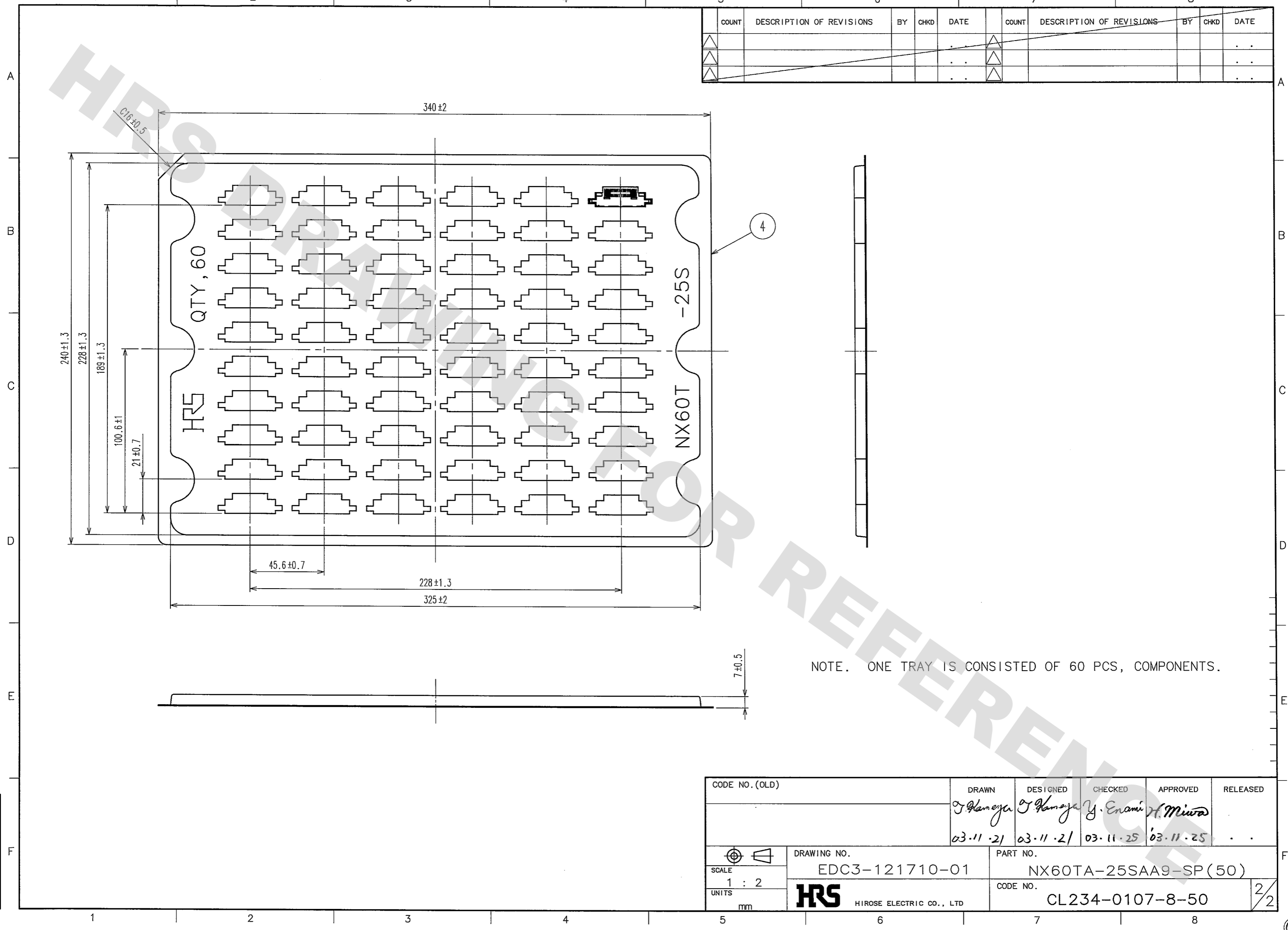


2	PPS	(BLACK) UL94V-0	4	PVC	
1	PHOSPHOR BRONZE	SELECTIVE GOLD PLATING 0.1 μ m	3	STAINLESS STEEL	TIN PLATING
NO.	MATERIAL	FINISH, REMARKS	NO.	MATERIAL	FINISH, REMARKS
CODE NO. (OLD)			DRAWN	DESIGNED	CHECKED
			<i>T. Kamaya</i>	<i>T. Kamaya</i>	<i>Y. Enami</i>
			03.11.21	03.11.21	03.11.25
			APPROVED	RELEASED	
			<i>H. Miura</i>		
			03.11.25		
DRAWING NO.			PART NO.		
EDC3-121710-01			NX60TA-25SAA9-SP(50)		
SCALE			CODE NO.		
4 : 1			CL234-0107-8-50		1/2
UNITS			HRS		
mm			HIROSE ELECTRIC CO., LTD		

DRAWING FOR REFERENCE: This is subject to change without notice
08/11/2012

TO
Q

COUNT	DESCRIPTION OF REVISIONS	BY	CHKD	DATE	COUNT	DESCRIPTION OF REVISIONS	BY	CHKD	DATE



NOTE. ONE TRAY IS CONSISTED OF 60 PCS, COMPONENTS.

CODE NO. (OLD)	DRAWN <i>T. Kameya</i> 03.11.21	DESIGNED <i>T. Kameya</i> 03.11.21	CHECKED <i>Y. Enami</i> 03.11.25	APPROVED <i>H. Miwa</i> 03.11.25	RELEASED
DRAWING NO. EDC3-121710-01	PART NO. NX60TA-25SAA9-SP(50)		CODE NO. CL234-0107-8-50		
SCALE 1 : 2	UNITS mm		HIROSE ELECTRIC CO., LTD		

X-ON Electronics

Largest Supplier of Electrical and Electronic Components

Click to view similar products for [Memory Card Connectors](#) category:

Click to view products by [Hirose](#) manufacturer:

Other Similar products are found below :

[M21-033321-005](#) [6407-249V-25273P](#) [6407-249V-25343P](#) [6426-201-21343](#) [69.920.0553.0](#) [FCN-568P068-G/07-4V](#) [809180410000000](#)
[N7E50-7516PG-20-WF](#) [2041353-2](#) [33CFAE-DN](#) [502431-1011](#) [EN2997S61212BN](#) [EN2997SE61212BN](#) [617230001](#) [95622-003LF](#) [N7E50-](#)
[U516RB-50-SIN0005](#) [95079-00CALF](#) [33DVIR-29S12R](#) [125A-78C00](#) [MI20A-50PD-SF-EJL\(71\)](#) [KP10S-SF-PEJ\(812\)](#) [504536-0691](#) [504580-](#)
[0691](#) [CCM03-3109 B LFT](#) [MI21-50PD-SF\(91\)](#) [2309923-1](#) [61126-050CAHLF](#) [IC1GA-68PD-1.27DS-EJ\(72\)](#) [GTFP08432B1HR](#)
[G85DT17001P1EU](#) [G85B21611142HHR](#) [GSD090144HR](#) [G85D1140022P1HR](#) [GMCB05801124EU](#) [G85C11101152HHR](#)
[G85B231021B1HR](#) [G85D1160022HHR](#) [055036006202862+](#) [112K-TAA0-RA1](#) [115S-ACA2](#) [115S-ACA3](#) [115S-BS00](#) [115S-BT00](#) [115V-](#)
[AD00](#) [MCSP-Q1-08-A-SG-T/R](#) [503960-0695](#) [101B-TAA0-R](#) [101D-TAAA-R01](#) [101D-TAAB-R01](#) [104D-TCA0-R06](#)