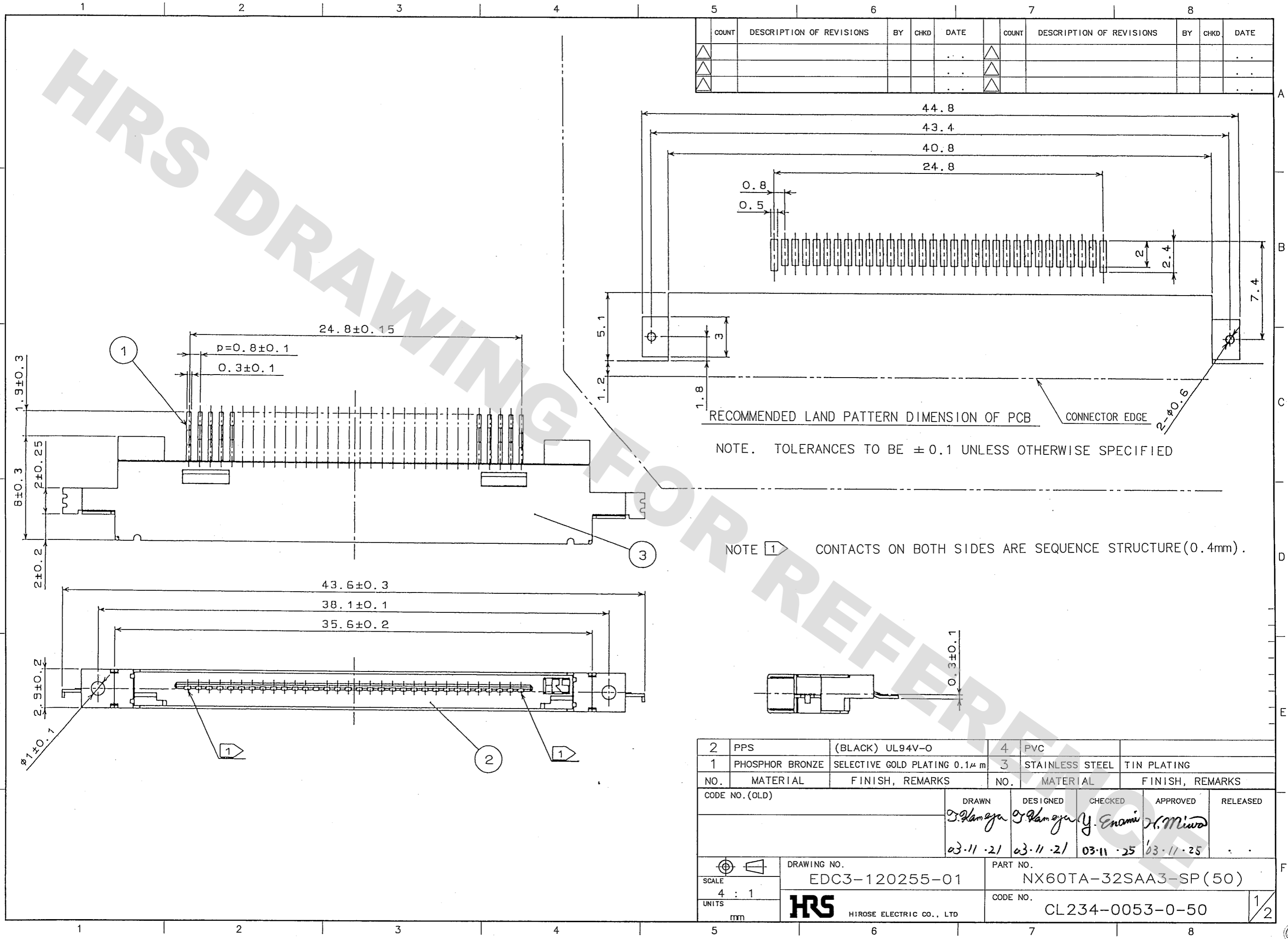
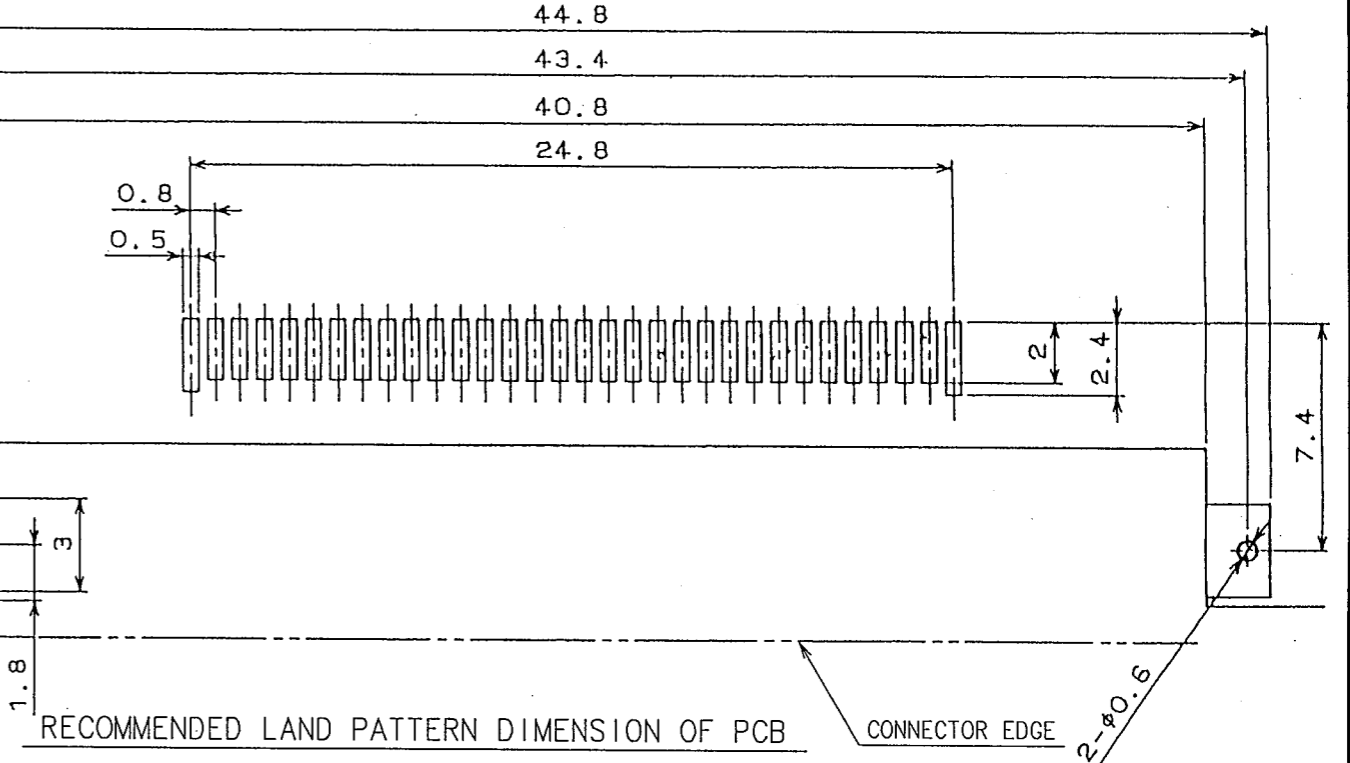


DRAWING FOR REFERENCE: This is subject to change without notice  
08/11/2012

TO
Q

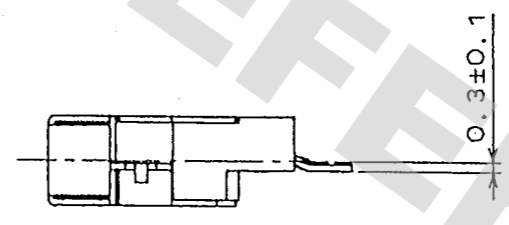


COUNT	DESCRIPTION OF REVISIONS	BY	CHKD	DATE	COUNT	DESCRIPTION OF REVISIONS	BY	CHKD	DATE



NOTE. TOLERANCES TO BE  $\pm 0.1$  UNLESS OTHERWISE SPECIFIED

NOTE 1 CONTACTS ON BOTH SIDES ARE SEQUENCE STRUCTURE (0.4mm).



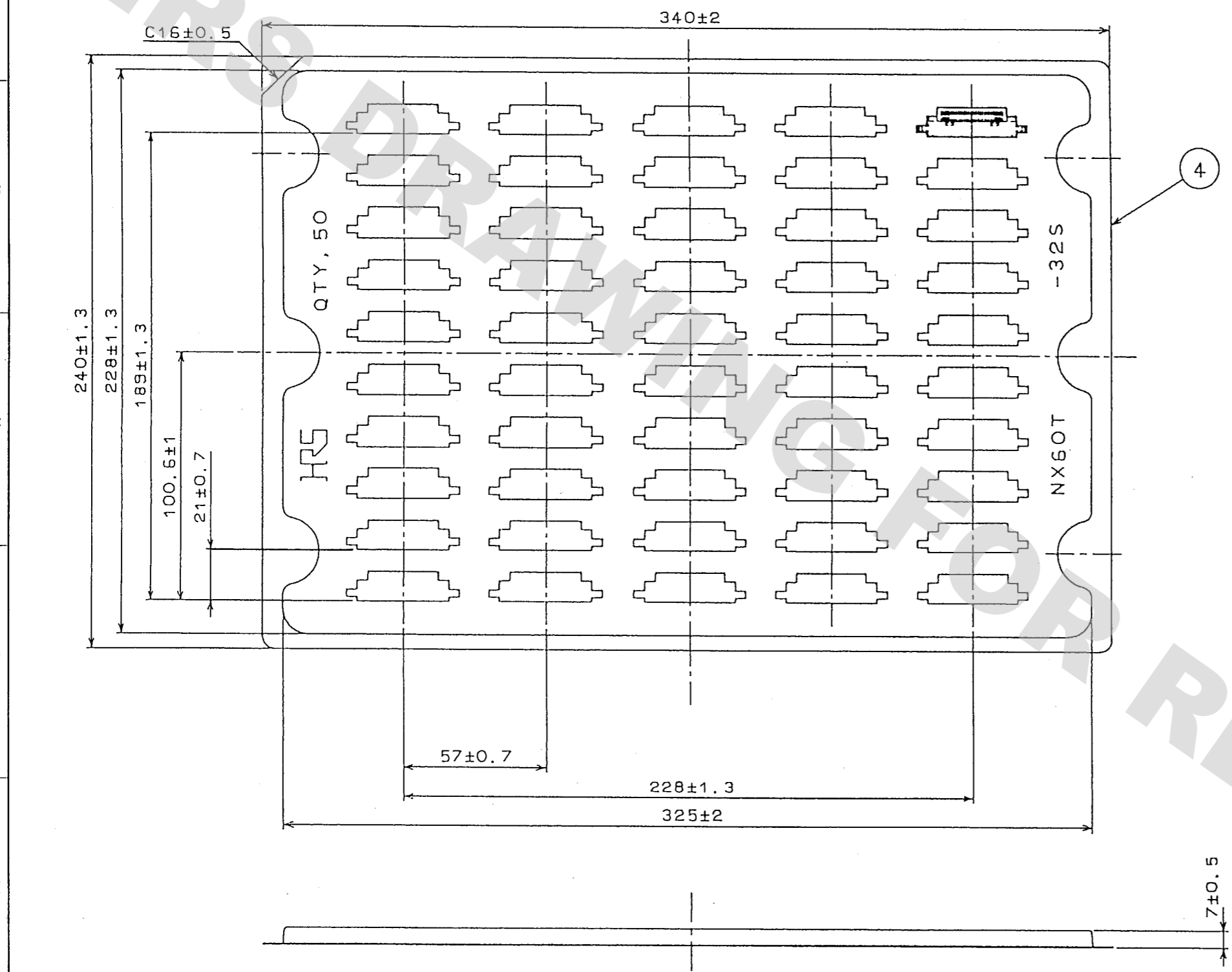
2	PPS	(BLACK) UL94V-0	4	PVC	
1	PHOSPHOR BRONZE	SELECTIVE GOLD PLATING 0.1 $\mu$ m	3	STAINLESS STEEL	TIN PLATING
NO.	MATERIAL	FINISH, REMARKS	NO.	MATERIAL	FINISH, REMARKS
CODE NO. (OLD)			DRAWN	DESIGNED	CHECKED
			<i>D. Kameya</i>	<i>D. Kameya</i>	<i>Y. Enami</i>
			03-11-21	03-11-21	03-11-25
			APPROVED	RELEASED	
			<i>H. Miwa</i>		
			03-11-25		
DRAWING NO.			PART NO.		
EDC3-120255-01			NX60TA-32SAA3-SP(50)		
UNITS			CODE NO.		
mm			CL234-0053-0-50		1/2

**HRS** HIROSE ELECTRIC CO., LTD

DRAWING FOR REFERENCE: This is subject to change without notice  
08/11/2012

TO
Q

COUNT	DESCRIPTION OF REVISIONS	BY	CHKD	DATE	COUNT	DESCRIPTION OF REVISIONS	BY	CHKD	DATE



NOTE. ONE TRAY IS CONSISTED OF 50 PCS, COMPONENTS.

CODE NO. (OLD)	DRAWN	DESIGNED	CHECKED	APPROVED	RELEASED
	<i>T. Kameya</i>	<i>T. Kameya</i>	<i>Y. Enami</i>	<i>H. Miwa</i>	
	03.11.21	03.11.21	03.11.25	03.11.25	
SCALE	DRAWING NO.		PART NO.		
1 : 2	EDC3-120255-01		NX60TA-32SAA3-SP(50)		
UNITS	CODE NO.				
mm	CL234-0053-0-50		2/2		

## X-ON Electronics

Largest Supplier of Electrical and Electronic Components

*Click to view similar products for [Memory Card Connectors](#) category:*

*Click to view products by [Hirose](#) manufacturer:*

Other Similar products are found below :

[M21-033321-005](#) [6407-249V-25273P](#) [6407-249V-25343P](#) [6426-201-21343](#) [69.920.0553.0](#) [FCN-568P068-G/07-4V](#) [809180410000000](#)  
[N7E50-7516PG-20-WF](#) [21920-5](#) [2041353-2](#) [33CFAE-DN](#) [502431-1011](#) [EN2997S61212BN](#) [EN2997SE61212BN](#) [95622-003LF](#) [N7E50-](#)  
[U516RB-50-SIN0005](#) [95079-00CALF](#) [84648-056HLF](#) [68-580163-21S](#) [33DVIR-29S12R](#) [125A-78C00](#) [MI20A-50PD-SF-EJL\(71\)](#) [KP10S-SF-](#)  
[PEJ\(812\)](#) [504536-0691](#) [504580-0691](#) [CCM03-3109 B LFT](#) [2309923-1](#) [61126-050CAHLF](#) [IC1GA-68PD-1.27DS-EJ\(72\)](#) [GTFP08432B1HR](#)  
[G85DT17001P1EU](#) [G85B21611142HHR](#) [GSD090144HR](#) [G85D1140022P1HR](#) [GMCB05801124EU](#) [112K-TAA0-RA1](#) [115S-ACA2](#) [115S-](#)  
[ACA3](#) [115S-BS00](#) [115S-BT00](#) [115V-AD00](#) [MCSP-Q1-08-A-SG-T/R](#) [503960-0695](#) [101B-TAA0-R](#) [101D-TAAA-R01](#) [101D-TAAB-R01](#)  
[104D-TCA0-R06](#) [104B-TAA0-R](#) [112C-TBAR-R02](#) [114B-40B00-R02](#)