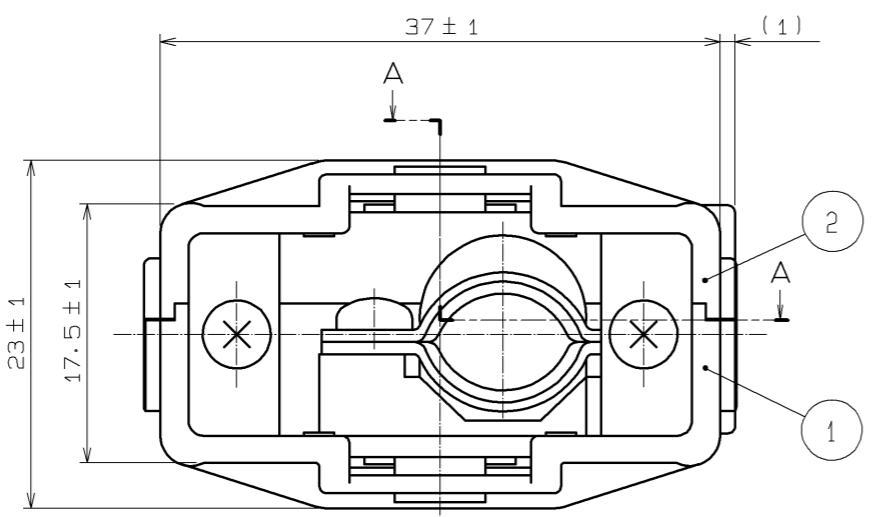
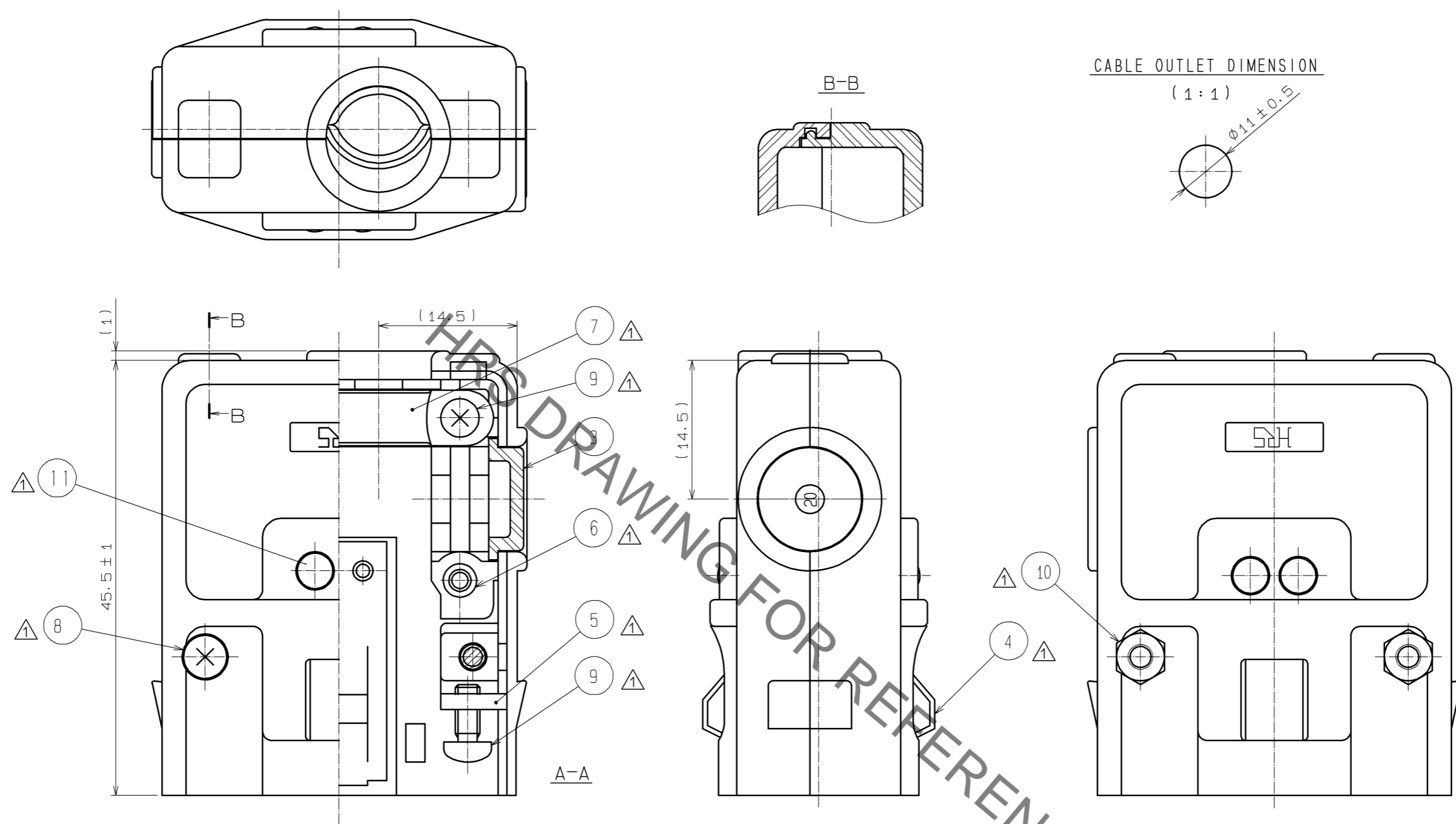


Sep.1.2021 Copyright 2021 HIROSE ELECTRIC CO., LTD. All Rights Reserved.  
In case of consideration for using Automotive equipment / device which demand high reliability, kindly contact our sales window correspondents.



NOTE) 1. THE DIMENSIONS IN PARENTHESIS ARE FOR REFERENCE.

7	STAINLESS STEEL			11	ALUMINUM		
6	BRASS	OVER:NICKEL PLATING 0.8#M MIN		10	STEEL	OVER :NICKEL PLATING 0.8#M MIN UNDER: COPPER PLATING 2#M MIN HEXAGON NUT M2. 6X0. 45	
5	PHOSPHOR BRONZE	OVER :NICKEL PLATING 2#M MIN UNDER: COPPER PLATING 1#M MIN		9	STEEL	OVER :NICKEL PLATING 2#M MIN UNDER: COPPER PLATING 1#M MIN M2. 6X0. 45X6	
4	PHOSPHOR BRONZE	OVER:NICKEL PLATING 0.8#M MIN		8	STEEL	OVER :NICKEL PLATING 2#M MIN UNDER: COPPER PLATING 1#M MIN M2. 6X0. 45X14	
3	ABS	BLACK					
2	ABS	(BLACK) SELECTIVE MATTE FINISH					
1	ABS	(BLACK) SELECTIVE MATTE FINISH					
NO.	MATERIAL	FINISH .	REMARKS	NO.	MATERIAL	FINISH .	REMARKS

UNITS mm		SCALE 2 : 1	COUNT 17	DESCRIPTION OF REVISIONS DIS-E-001675	DESIGNED MT. ITANO	CHECKED YH. ENAMI	DATE 07. 07. 27
APPROVED : HO. MIWA 07. 02. 07				DRAWING NO. EDC3-005682-01			
CHECKED : HO. MIWA 07. 02. 07				PART NO. P-1620A-C (50)			
DESIGNED : SJ. SHIMIZU 07. 02. 06				CODE NO. CL216-0031-6-50			
DRAWN : SJ. SHIMIZU 07. 02. 06							

## X-ON Electronics

Largest Supplier of Electrical and Electronic Components

*Click to view similar products for [Headers & Wire Housings](#) category:*

*Click to view products by [Hirose](#) manufacturer:*

Other Similar products are found below :

[892-18-020-10-001101](#) [58102-G61-06LF](#) [582553-1](#) [0009485154](#) [009176003701906](#) [0050291907](#) [LY20-4P-DT1-P1E-BR](#) [02.125.8002.8](#)  
[609-3404](#) [61062-3](#) [622-0430](#) [622-3653LF](#) [63453-116](#) [636-1030](#) [636-1427](#) [636-3427](#) [636-4007](#) [641938-9](#) [641991-4](#) [644827-2](#) [65817-010LF](#)  
[65817-015LF](#) [65863-015LF](#) [66207-023LF](#) [67095-007LF](#) [67601157](#) [68648-049](#) [70.362.1628.0](#) [70-4210](#) [70-4226B](#) [70-4853B](#) [707-5020](#) [707-](#)  
[5028](#) [71.350.2428.0](#) [71918-208LF](#) [71961-016LF](#) [733-134](#) [733-162](#) [754199-000](#) [760-3052](#) [787-8014-00](#) [79531-3000](#) [FCN-360C032-B](#) [FCN-](#)  
[367T-T012/H](#) [FCN-723D010/2](#) [80.063.4001.1](#) [800-90-001-10-001000](#) [800-90-010-10-002000](#) [801-43-002-10-013000](#) [801-43-006-10-002000](#)