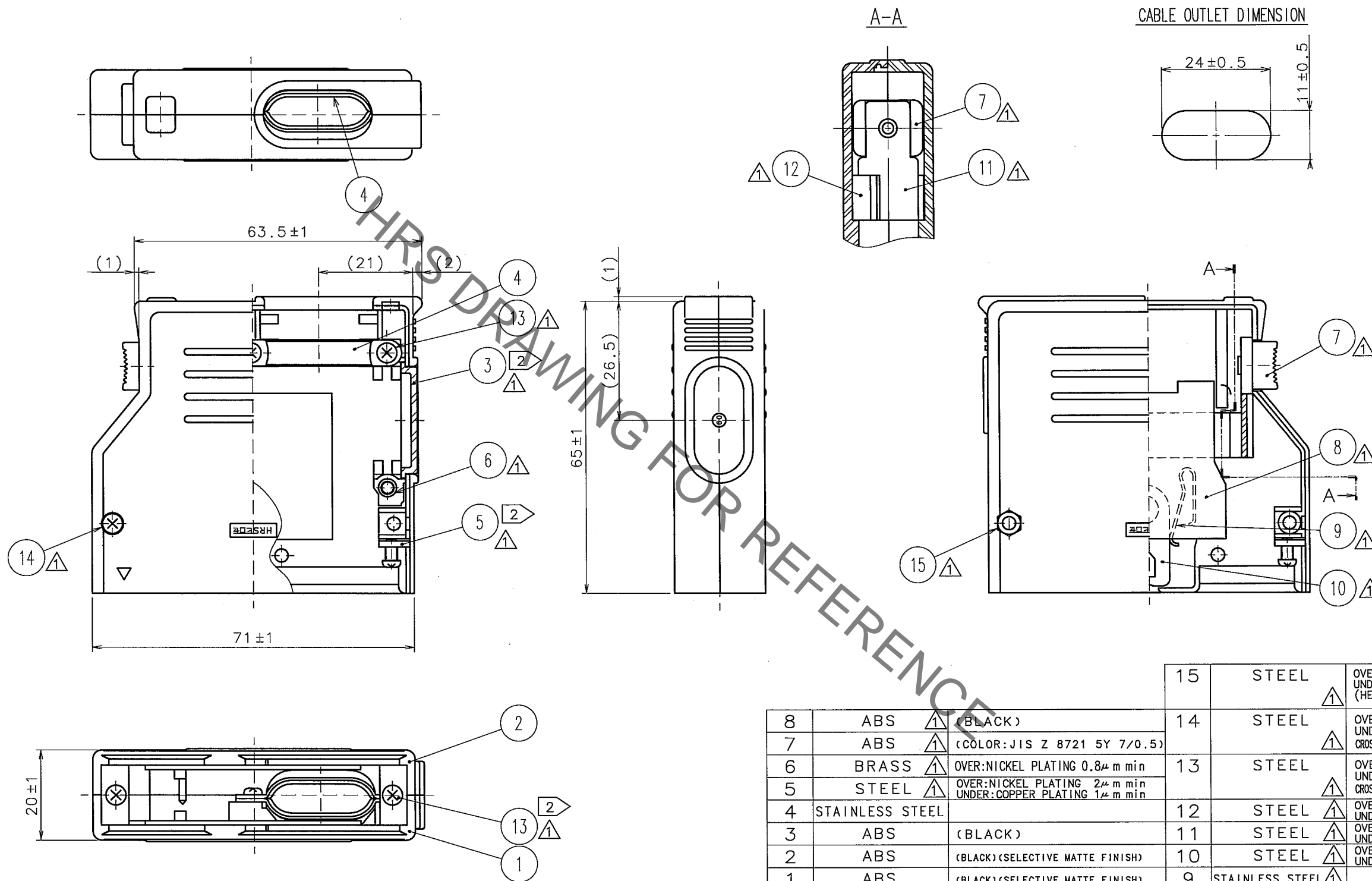


Sep.1.2021 Copyright 2021 HIROSE ELECTRIC CO., LTD. All Rights Reserved.
Increase of consideration for using Automotive equipment / device which demand high reliability, kindly contact our sales window correspondents.

COUNT	DESCRIPTION OF REVISIONS	BY	CHKD	DATE	COUNT	DESCRIPTION OF REVISIONS	BY	CHKD	DATE
1	26	DIS-E-001637	Y.S	Y.E 07.07.25					



NOTE 1 THE DIMENSIONS IN PARENTHESIS ARE FOR REFERENCE.
 △ 2 ⇒ COMPONENTS OF REF. NO. ③, ⑤ AND ⑬ ARE APPENDED PRODUCTS.

8	ABS	△ (BLACK)	15	STEEL	△ OVER:NICKEL PLATING 0.8μ m min UNDER: COPPER PLATING 2μ m min (HEX NUT M2.6×0.45)
7	ABS	△ (COLOR: JIS Z 8721 5Y 7/0.5)	14	STEEL	△ OVER:NICKEL PLATING 2μ m min UNDER: COPPER PLATING 1μ m min CROSS PAN HEAD MACHINE SCREW M2.6×0.45×16
6	BRASS	△ OVER:NICKEL PLATING 0.8μ m min	13	STEEL	△ OVER:NICKEL PLATING 2μ m min UNDER: COPPER PLATING 1μ m min CROSS PAN HEAD MACHINE SCREW M2.6×0.45×6
5	STEEL	△ OVER:NICKEL PLATING 2μ m min UNDER: COPPER PLATING 1μ m min	12	STEEL	△ OVER:NICKEL PLATING 2μ m min UNDER: COPPER PLATING 1μ m min
4	STAINLESS STEEL		11	STEEL	△ OVER:NICKEL PLATING 2μ m min UNDER: COPPER PLATING 1μ m min
3	ABS	(BLACK)	10	STEEL	△ OVER:NICKEL PLATING 2μ m min UNDER: COPPER PLATING 1μ m min
2	ABS	(BLACK)(SELECTIVE MATTE FINISH)	9	STAINLESS STEEL	△
1	ABS	(BLACK)(SELECTIVE MATTE FINISH)			

NO.	MATERIAL	FINISH, REMARKS	NO.	MATERIAL	FINISH, REMARKS	
CODE NO. (OLD)		DRAWN	DESIGNED	CHECKED	APPROVED	RELEASED
		T. ITO	T. ITO	Y. ENAMI	H. MIWA	
		'06.01.24	'06.01.24	'06.01.24	'06.01.24	
DRAWING NO. EDC3-005988-01			PART NO. P-1660A-CA(50)			
SCALE 1 : 1			CODE NO. CL216-0113-9-50			
UNITS mm			HRS HIROSE ELECTRIC CO., LTD			

X-ON Electronics

Largest Supplier of Electrical and Electronic Components

Click to view similar products for [Headers & Wire Housings](#) category:

Click to view products by [Hirose](#) manufacturer:

Other Similar products are found below :

[892-18-020-10-001101](#) [58102-G61-06LF](#) [582553-1](#) [0009485154](#) [009176003701906](#) [0050291907](#) [LY20-4P-DT1-P1E-BR](#) [02.125.8002.8](#)
[609-3404](#) [61062-3](#) [622-0430](#) [622-3653LF](#) [63453-116](#) [636-1030](#) [636-1427](#) [636-3427](#) [636-4007](#) [641938-9](#) [641991-4](#) [644827-2](#) [65817-010LF](#)
[65817-015LF](#) [65863-015LF](#) [66207-023LF](#) [67095-007LF](#) [67601157](#) [68648-049](#) [70.362.1628.0](#) [70-4210](#) [70-4226B](#) [70-4853B](#) [707-5020](#) [707-5028](#) [71.350.2428.0](#) [71918-208LF](#) [71961-016LF](#) [733-134](#) [733-162](#) [754199-000](#) [760-3052](#) [787-8014-00](#) [79531-3000](#) [FCN-360C032-B](#) [FCN-367T-T012/H](#) [FCN-723D010/2](#) [80.063.4001.1](#) [800-90-001-10-001000](#) [800-90-010-10-002000](#) [801-43-002-10-013000](#) [801-43-006-10-002000](#)