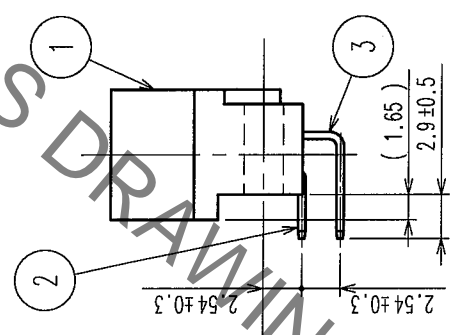
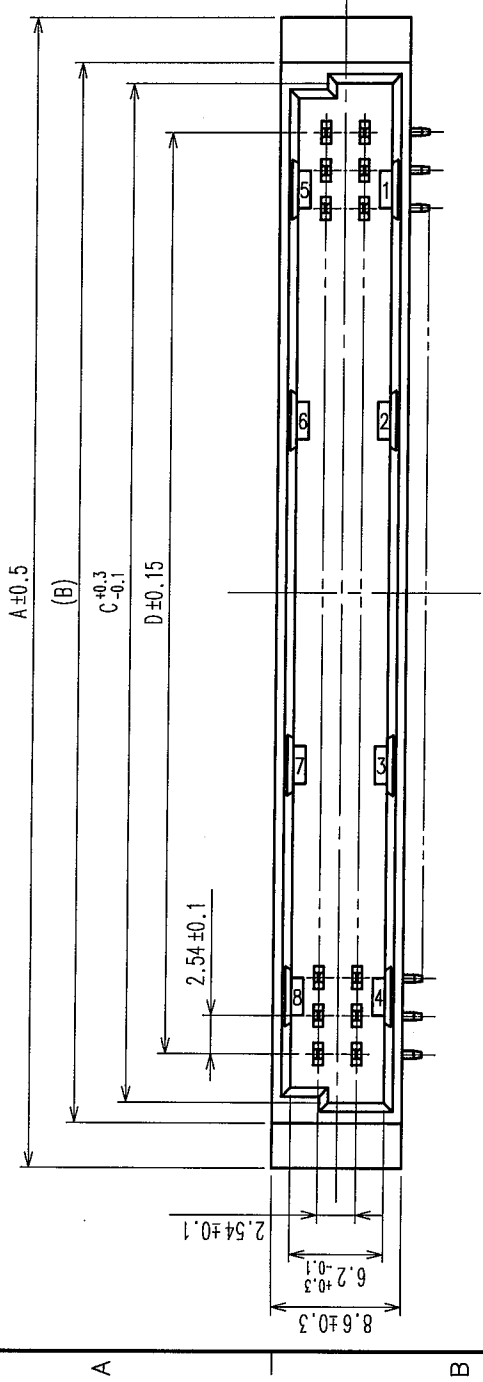
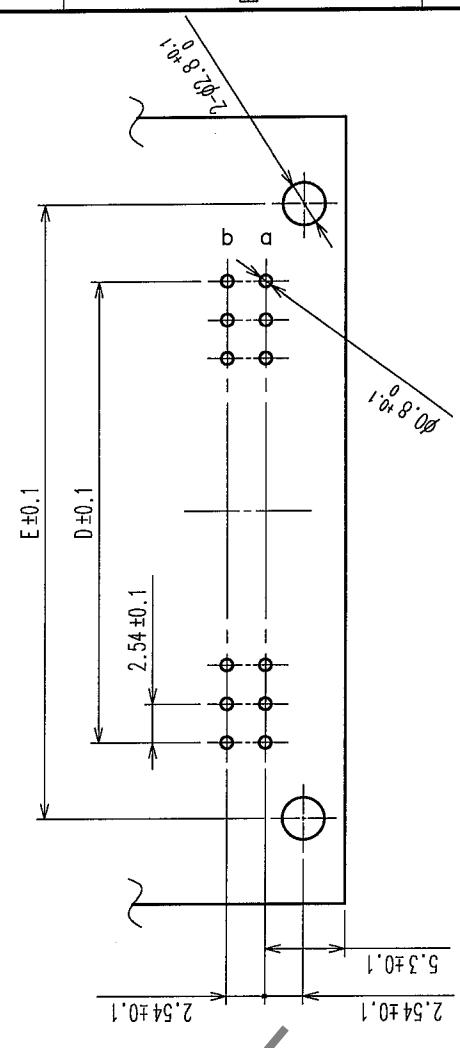


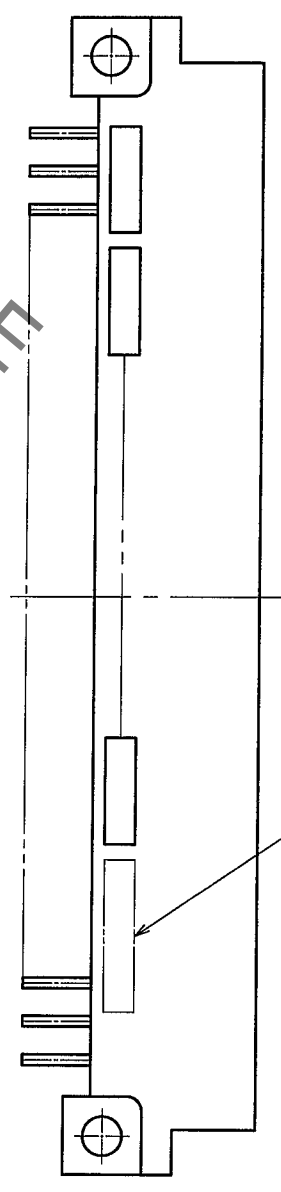
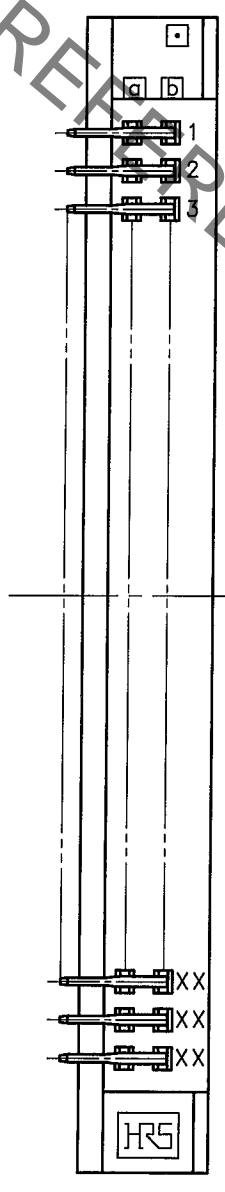
COUNT	DESCRIPTION OF REVISIONS	BY	CHKD	DATE	COUNT	DESCRIPTION OF REVISIONS	BY	CHKD	DATE
△					△				
△					△				

RECOMMENDED P.C.B HOLE PATTERN (t=1.6±0.1)



HRS No.	PART NO.	NUMBER OF CONTACT	A	B	C	D	E
583-0230-9-72	PCN10-16P-2.54DS(72)	16	33.04	27.04	24.39	17.78	27.94
583-0077-3-72	PCN10-20P-2.54DS(72)	20	38.12	32.12	29.47	22.86	33.02
583-0015-6-72	PCN10-32P-2.54DS(72)	32	53.36	47.36	44.71	38.10	48.26
583-0038-1-72	PCN10-44P-2.54DS(72)	44	68.60	62.60	59.95	53.34	63.50
583-0016-9-72	PCN10-50P-2.54DS(72)	50	76.22	70.22	67.57	60.96	71.12
583-0017-1-72	PCN10-64P-2.54DS(72)	64	94.00	88.00	85.35	78.74	88.90
583-0018-4-72	PCN10-90P-2.54DS(72)	90	127.02	121.02	118.37	111.76	121.92
583-0113-5-72	PCN10-100P-2.54DS(72)	100	139.72	133.72	131.07	124.46	134.62

NOTE 1. AS FOR AUG,2005.
 2. THE DIMENSION IN PARENTHESIS IS FOR REFERENCE.



TO			
----	--	--	--

CODE NO. (OLD)	CL	DRAWN	M. OGAWA	DESIGNED	H. SAITOU	CHECKED	A. Yamada	APPROVED	K. Hayama	FINISH, REMARKS	GRAY, UL94V-0
SCALE	2 : 1	DATE	05.08.29	DATE	05.08.29	DATE	05.08.30	DATE	05.08.30		
UNITS	mm	PART NO.		PCN10-154140-01		DRAWING NO.		EDC3-154140-01		FINISH, REMARKS	
DRAWING NO.		PCN10-154140-01		DRAWING NO.		EDC3-154140-01		DRAWING NO.		PCN10-154140-01	
SCALE		2 : 1		SCALE		2 : 1		SCALE		2 : 1	
UNITS		mm		UNITS		mm		UNITS		mm	
CONTACT AREA: Ni2.5μm+Au0.2μm		MOUNTING AREA: Ni2.5μm+Sn2μm		CONTACT AREA: Ni2.5μm+Au0.2μm		MOUNTING AREA: Ni2.5μm+Sn2μm		CONTACT AREA: Ni2.5μm+Au0.2μm		MOUNTING AREA: Ni2.5μm+Sn2μm	

HIROSE ELECTRIC CO., LTD.	CL583	FORM NO. 229
---------------------------	-------	--------------

X-ON Electronics

Largest Supplier of Electrical and Electronic Components

Click to view similar products for [DIN 41612 Connectors](#) category:

Click to view products by [Hirose](#) manufacturer:

Other Similar products are found below :

[004.767](#) [608489050008049](#) [691327-1](#) [74670-0732](#) [74680-0340](#) [75880-0015](#) [76453-0014](#) [86093159ALF](#) [9732967801](#) [QLC260R](#)
[120X10019X](#) [120X10089X](#) [122A10249X](#) [122A10669X](#) [122A11089X](#) [122A13089X](#) [122A10089X](#) [122A10129X](#) [122A10349X](#)
[122A13359X](#) [1377391-4](#) [DIN-048CPC-SR1-MH](#) [1393583-2](#) [1393726-7](#) [140X10129X](#) [143-1913-000](#) [143-1908-000](#) [1484472-1](#) [2110070-1](#)
[2110070-2](#) [CBC20T00-008FDS5-0-1-002VR](#) [172699-5036](#) [2-1393557-4](#) [2-1437084-2](#) [CTJ720E01B-6141](#) [394506](#) [419-2080-402](#)
[V42254B2202C968](#) [419-2086-201](#) [419-2087-002](#) [448657-1](#) [448847-3](#) [5-1393755-9](#) [02990000004](#) [054302](#) [043556](#) [09062483201750](#)
[09031646555](#) [09061486901840](#) [09185107324800](#)