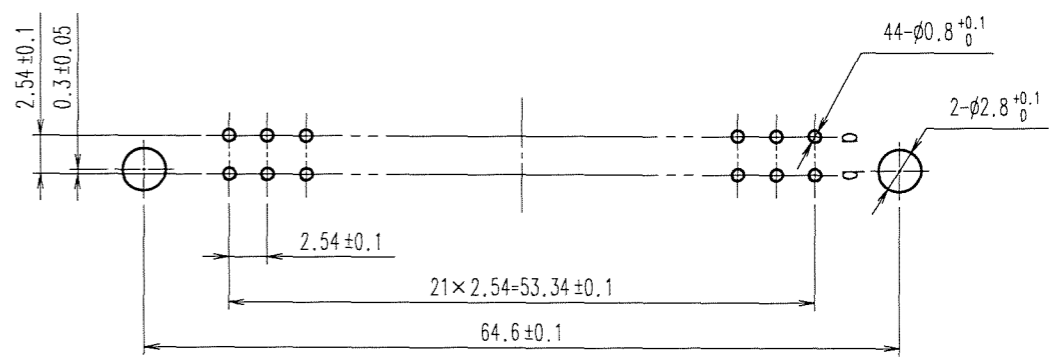
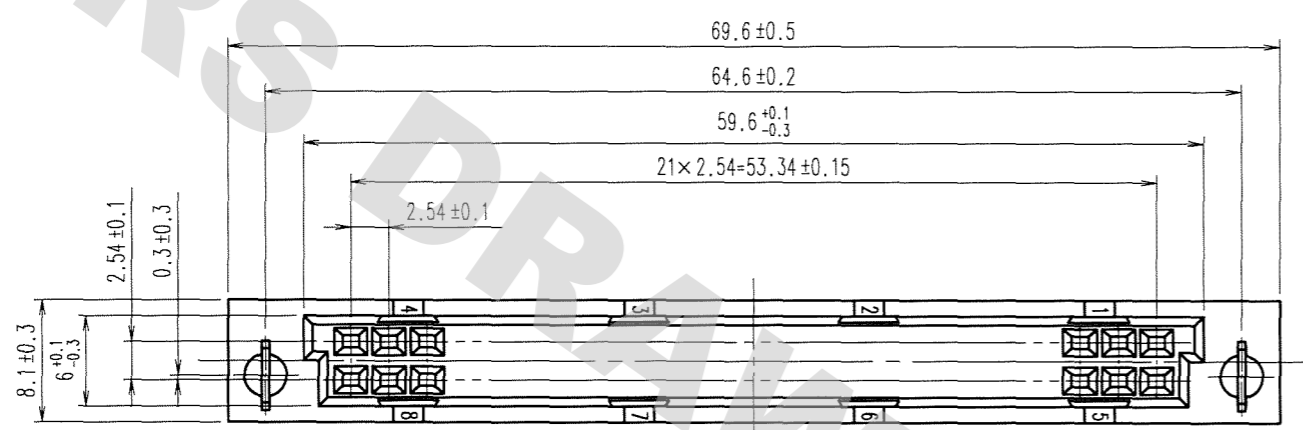
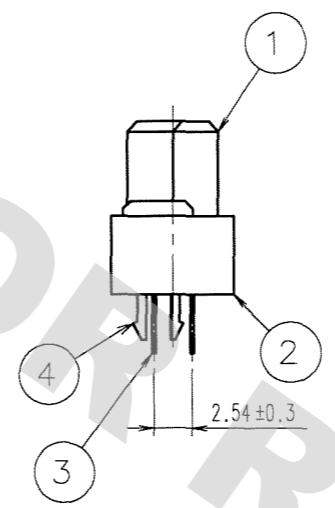
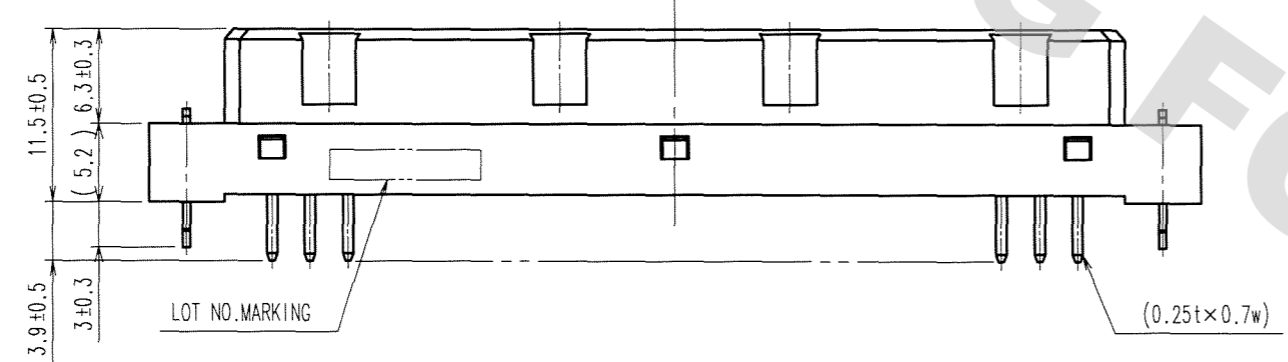


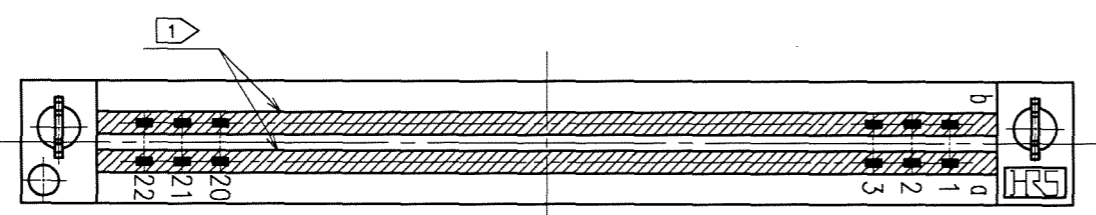
5					6					7					8					
COUNT	DESCRIPTION OF REVISIONS	BY	CHKD	DATE	COUNT	DESCRIPTION OF REVISIONS	BY	CHKD	DATE	COUNT	DESCRIPTION OF REVISIONS	BY	CHKD	DATE	COUNT	DESCRIPTION OF REVISIONS	BY	CHKD	DATE	



RECOMMENDED PC BOARD HOLE PATTERN(t=1.6±0.1)



NOTE 1 EPOXY RESIN IS FILLED UP AT THE POSITION DRAWN.



NO.	MATERIAL	FINISH, REMARKS
4	PHOSPHOR BRONZE	Ni1μm+Sn1μm
3	COPPER ALLOY	(CONTACT AREA)Ni1μm+Au0.2μm (DIP AREA)Ni1μm+Sn1μm
1, 2	PBT	GRAY, UL94V-0

CODE NO. (OLD) CL	DRAWN H.Saitou 07.01.16	DESIGNED H.Saitou 07.01.16	CHECKED <i>S. Tomooka</i> 07.01.16	APPROVED <i>K. Akizawa</i> 07.01.16	RELEASED
DRAWING NO. EDC3-019549-01		PART NO. PCN10EA-44S-2.54DSA(72)			
SCALE 2 : 1		CODE NO. CL583-0190-6-72			1/1
UNITS mm		HRS HIROSE ELECTRIC CO., LTD			

DRAWING FOR REFERENCE: This is subject to change without notice 08/11/2012

TO

X-ON Electronics

Largest Supplier of Electrical and Electronic Components

Click to view similar products for [DIN 41612 Connectors](#) category:

Click to view products by [Hirose](#) manufacturer:

Other Similar products are found below :

[004.767](#) [608489050008049](#) [691327-1](#) [74670-0732](#) [74680-0340](#) [75880-0015](#) [76453-0014](#) [86093159ALF](#) [9732967801](#) [QLC260R](#)
[120X10019X](#) [120X10089X](#) [122A10249X](#) [122A10669X](#) [122A11089X](#) [122A13089X](#) [122A10089X](#) [122A10129X](#) [122A10349X](#)
[122A13359X](#) [1377391-4](#) [DIN-048CPC-SR1-MH](#) [1393583-2](#) [1393726-7](#) [140X10129X](#) [143-1913-000](#) [143-1908-000](#) [1484472-1](#) [2110070-1](#)
[2110070-2](#) [CBC20T00-008FDS5-0-1-002VR](#) [172699-5036](#) [2-1393557-4](#) [2-1437084-2](#) [CTJ720E01B-6141](#) [394506](#) [419-2080-402](#)
[V42254B2202C968](#) [419-2086-201](#) [419-2087-002](#) [448657-1](#) [448847-3](#) [5-1393755-9](#) [02990000004](#) [054302](#) [043556](#) [09062483201750](#)
[0850033067](#) [09031646555](#) [09061486901840](#)