

3/1/6

# PCN6 SERIES 2.5mm CENTERS FACE TO FACE CONNECTORS

## General

PCN6 series is a collection of high performance miniature printed circuit connectors for interconnection. The termination is available in three types which are soldering eyelet, dip soldering, and crimping.



1. Error-free polarization by trapezoidal molding design
2. UL94V-0 glass-reinforced polycarbonate as molding material
3. Low cost by mass production
4. Insertion and extraction force: 57 – 450 grs.
5. Applicable wire for crimping: AWG22 – 26 stranded

## Material and Finish

Item	Material	Finish
Molding	Glass-reinforced polycarbonate	Blue colour UL94V-0
Pin contact	Brass	Silver plating.
Socket contact	Phosphor bronze	Silver plating

## Electrical

Contact resistance: 10mΩ or less at DC1 amp  
 Insulation resistance: 1,000 MΩ or more at DC500V  
 Withstand voltage: AC650V r.m.s.  
 Current rating: 3 amps  
 Temperature cycling: -30 to +80°C  
 Durability: 15mV MAX. at DC1A after 500 times insertion  
 Dry circuit: DC 10 μV MAX.  
 Humidity: 500MΩ MIN. at 40±2°C, 90-95% for 96 hours

### Ordering Information

PCN6 A - 20 PA - 2.5 DS

Series No. \_\_\_\_\_

Molding type \_\_\_\_\_  
 A: without mounting ear  
 Blank: with mounting ear  
 B: with mounting ear for using PCN6 LOCK (C)

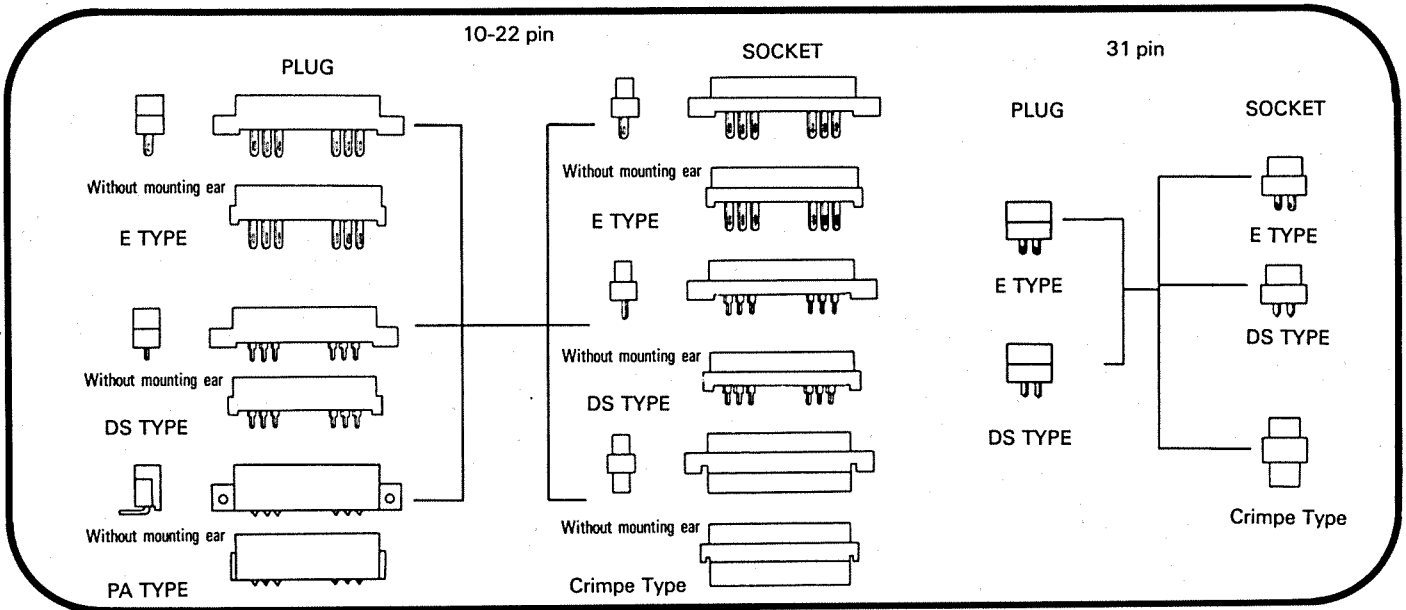
No. of pin \_\_\_\_\_  
 5, 10, 15, 20, 22 and 31

Type of pin \_\_\_\_\_  
 S: socket contact  
 P: pin contact  
 PA: right angle pin contact

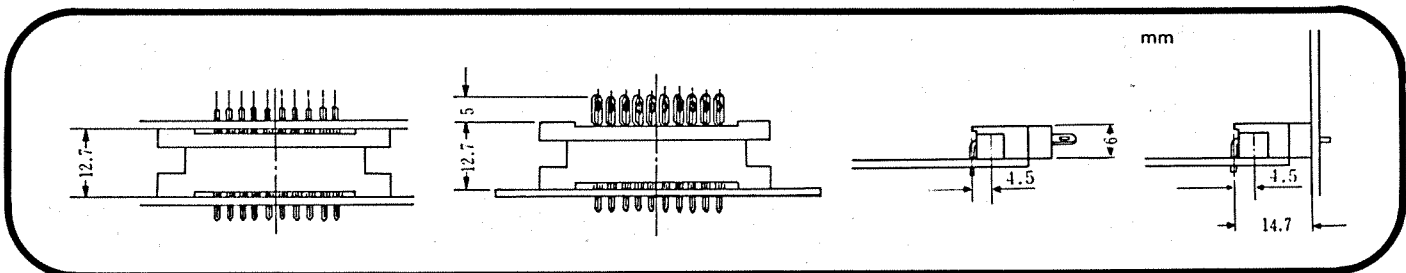
Contact spacing \_\_\_\_\_  
 2.5 mm

Type of terminal \_\_\_\_\_  
 DS: straight dip soldering  
 E: soldering eyelet  
 C: crimping

### Coupling Combination

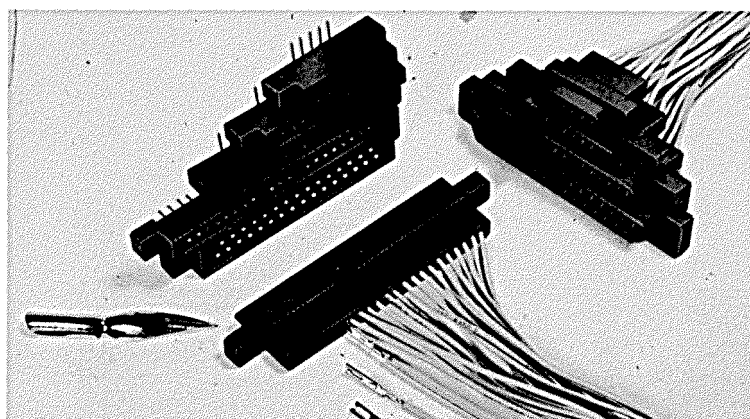
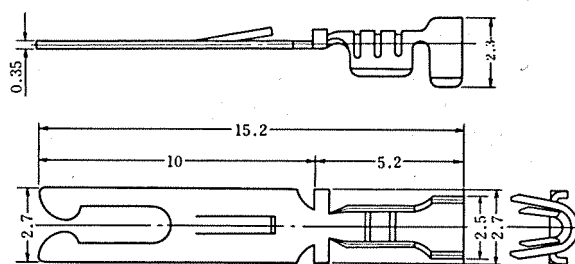


### Coupling Side View



## Crimp Socket Contact

Part No.	Type	mm (inch)	
		Applicable cable	Packing
PCN6-2226SCF	Chain contact	AWG22-26	10,000 pin per roll
PCN6-2226SC	Bulk contact	AWG22-26	100 pin per bag



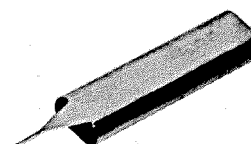
## Tools

Manual crimping tool

Part No.: PCN6-T2226HC



Pull-out tool



Model No.: PCN6-P0

Automatic crimper



Main body

Model No.: HRS-AT1

Applicator

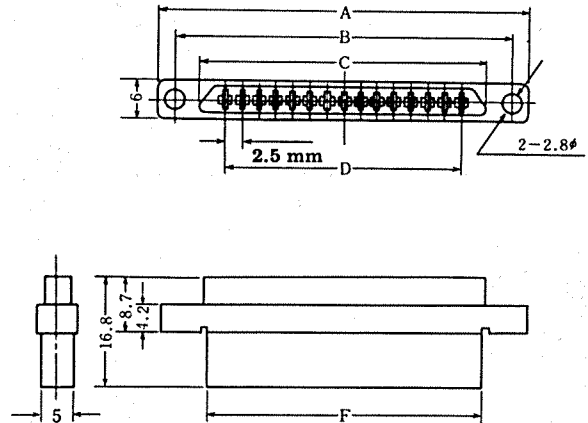
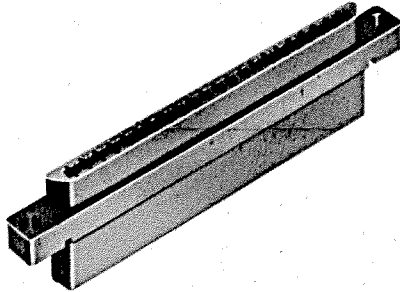
Model No.: PCN6-2226AP

### Main Specifications of Automatic Crimper

- |                      |                         |
|----------------------|-------------------------|
| 1. Power source      | AC100V (50 Hz or 60 Hz) |
| 2. Capacity          | 1.8 TON                 |
| 3. Stroke            | 30 mm                   |
| 4. Rotational speed  | 3,000 rpm               |
| 5. Gross weight      | 105 kg                  |
| 6. Crimping capacity | 6,000 pieces/hour       |

### Crimp Socket Housing

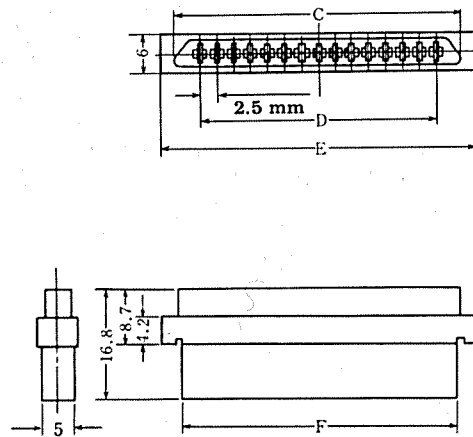
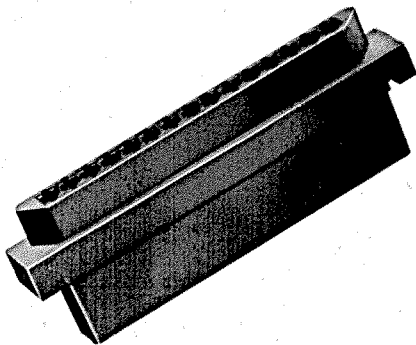
#### With Mounting Ear



mm (inch)

Part No.	No. of pin	A	B	C	D	F
PCN6- 5S-2.5C	5	30.00 (1.181)	25.00 ( .984)	17.30 ( .810)	10.00 ( .394)	15.50 ( .612)
PCN6-10S-2.5C	10	42.50 (1.673)	37.50 (1.476)	29.80 (1.173)	22.50 ( .886)	28.00 (1.102)
PCN6-15S-2.5C	15	55.00 (2.165)	50.00 (1.968)	42.30 (1.665)	35.00 (1.378)	40.50 (1.594)
PCN6-20S-2.5C	20	67.50 (2.657)	62.50 (2.461)	54.80 (2.157)	47.50 (1.870)	53.00 (2.087)
PCN6-22S-2.5C	22	72.5 (2.854)	67.50 (2.657)	59.80 (2.354)	52.50 (2.067)	58.00 (2.283)

#### Without Mounting Ear



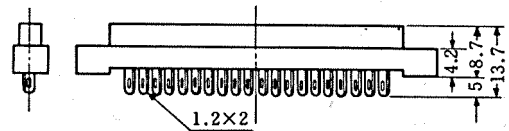
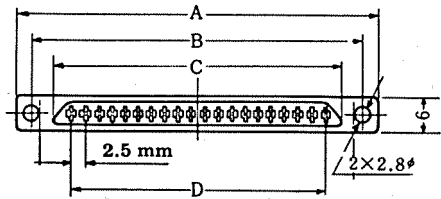
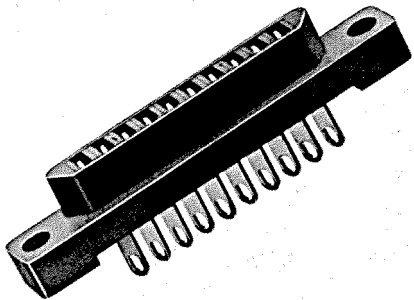
mm (inch)

Part No.	No. of pin	E	C	D	F
PCN6A- 5S-2.5C	5	22.00 ( .866)	17.30 ( .681)	10.00 ( .394)	15.50 ( .612)
PCN6A-10S-2.5C	10	34.50 (1.358)	29.80 (1.173)	22.50 ( .886)	28.00 (1.102)
PCN6A-15S-2.5C	15	47.00 (1.850)	42.30 (1.665)	35.00 (1.378)	40.50 (1.594)
PCN6A-20S-2.5C	20	59.50 (2.343)	54.80 (2.157)	47.50 (1.870)	53.00 (2.087)
PCN6A-22S-2.5C	22	64.50 (2.539)	59.80 (2.354)	52.50 (2.067)	58.00 (2.283)

Handwritten markings: 70/4

### Socket with Soldering Eyelet

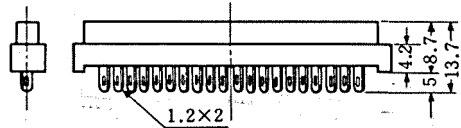
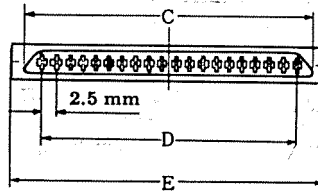
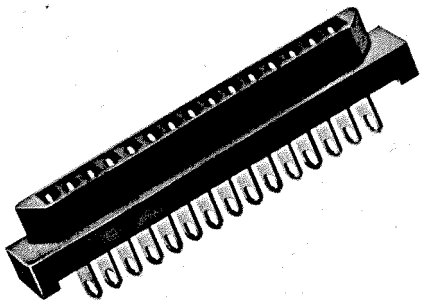
With Mounting Ear



mm (inch)

Part No.	No. of pin	A	B	C	D
PCN6- 5S-2.5E	5	30.00 (1.181)	25.00 ( .984)	17.30 ( .810)	10.00 ( .394)
PCN6-10S-2.5E	10	42.50 (1.673)	37.50 (1.476)	29.80 (1.173)	22.50 ( .886)
PCN6-15S-2.5E	15	55.00 (2.165)	50.00 (1.968)	42.30 (1.665)	35.00 (1.378)
PCN6-20S-2.5E	20	67.50 (2.657)	62.50 (2.461)	54.80 (2.157)	47.50 (1.870)
PCN6-22S-2.5E	22	72.5 (2.854)	67.50 (2.657)	59.80 (2.354)	52.50 (2.067)

### Without Mounting Ear

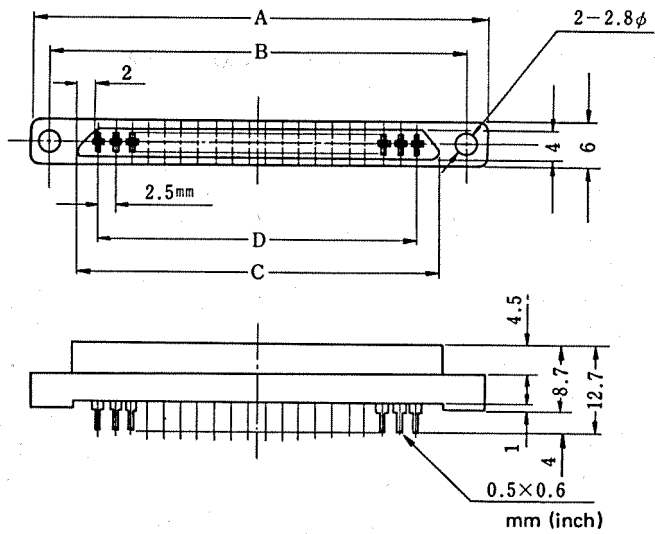
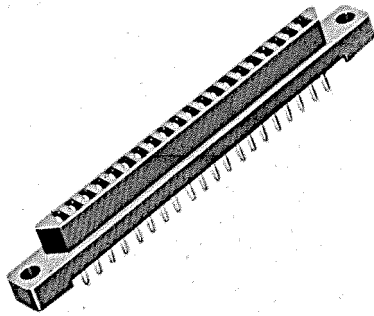


mm (inch)

Part No.	No. of pin	E	C	D
PCN6A- 5S-2.5E	5	22.00 ( .866)	17.30 ( .681)	10.00 ( .394)
PCN6A-10S-2.5E	10	34.50 (1.358)	29.80 (1.173)	22.50 (0.886)
PCN6A-15S-2.5E	15	47.00 (1.850)	42.30 (1.665)	35.00 (1.378)
PCN6A-20S-2.5E	20	59.50 (2.343)	54.80 (2.157)	47.50 (1.870)
PCN6A-22S-2.5E	22	64.50 (2.539)	59.80 (2.354)	52.50 (2.067)

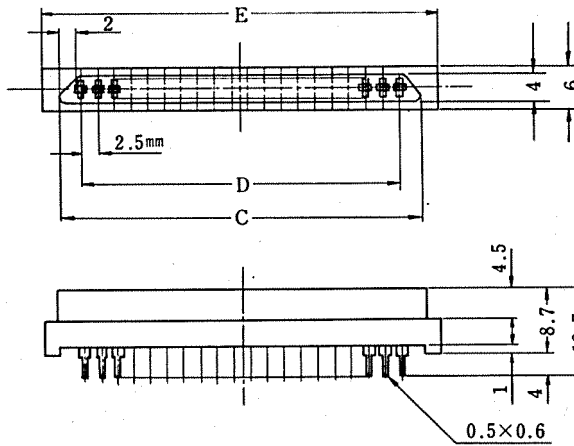
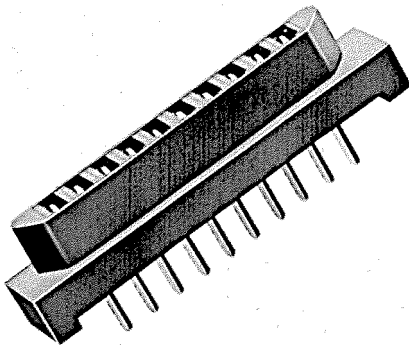
Socket with Straight Dip Soldering

With Mounting Ear



Part No.	No. of Pin	A	B	C	D
PCN6-5S-2.5DS	5	30.00 (1.81 )	25.00 ( .984)	17.30 ( .810)	10.00 ( .394)
PCN6-10S-2.5DS	10	42.50 (1.673)	37.50 (1.476)	29.80 (1.173)	22.50 ( .886)
PCN6-15S-2.5DS	15	55.00 (2.165)	50.00 (1.968)	42.30 (1.665)	35.00 (1.378)
PCN6-20S-2.0DS	20	67.50 (2.657)	82.50 (2.461)	54.80 (2.157)	47.50 (1.870)
PCN6-22S-2.5DS	22	72.50 (2.850)	67.50 (2.657)	59.80 (2.354)	52.50 (2.067)

Without Mounting Ear

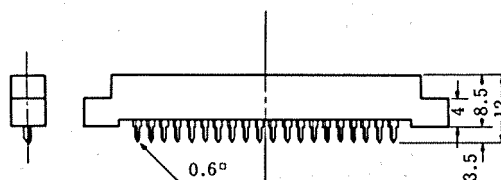
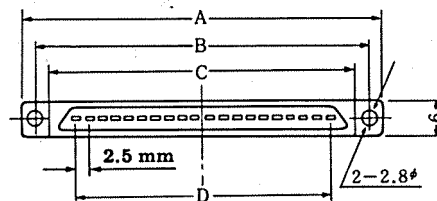
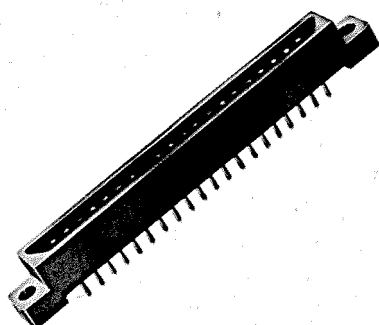


mm (inch)

Part No.	No. of pin	E	C	D
PCN6A-5S-2.5DS	5	22.00 ( .866)	17.30 ( .681)	10.00 ( .394)
PCN6A-10S-2.5DS	10	34.50 (1.358)	29.80 (1.173)	22.50 (0.886)
PCN6A-15S-2.5DS	15	47.00 (1.850)	42.30 (1.665)	35.00 (1.378)
PCN6A-20S-2.5DS	20	59.50 (2.343)	54.80 (2.157)	47.50 (1.870)
PCN6A-22S-2.5DS	22	64.50 (2.539)	59.80 (2.354)	52.50 (2.067)

### Plug with Straight Dip Soldering

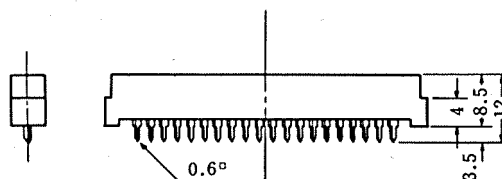
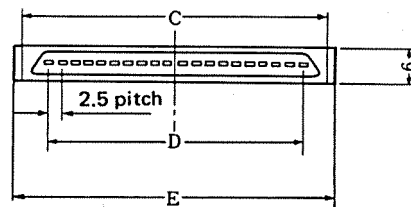
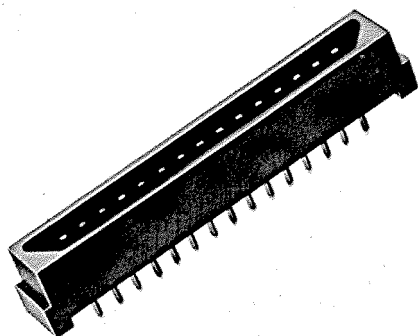
#### With Mounting Ear



Part No.	No. of pin	mm (inch)			
		A	B	C	D
PCN6B-5P-2.5DS	5	30.00 (1.181)	25.00 (.984)	20.00 (.787)	10.00 (.394)
PCN6B-10P-2.5DS	10	42.50 (1.673)	37.50 (1.476)	32.50 (1.280)	22.50 (.886)
PCN6B-15P-2.5DS	15	55.00 (2.165)	50.00 (1.969)	45.00 (1.772)	35.00 (1.378)
PCN6B-20P-2.5DS	20	67.50 (2.657)	62.50 (2.461)	57.50 (2.264)	47.50 (1.870)
PCN6B-22P-2.5DS	22	72.50 (2.854)	67.50 (2.657)	62.50 (2.461)	52.50 (2.067)

Note: PCN6B type is designed for using PCN6 LOCK (C).

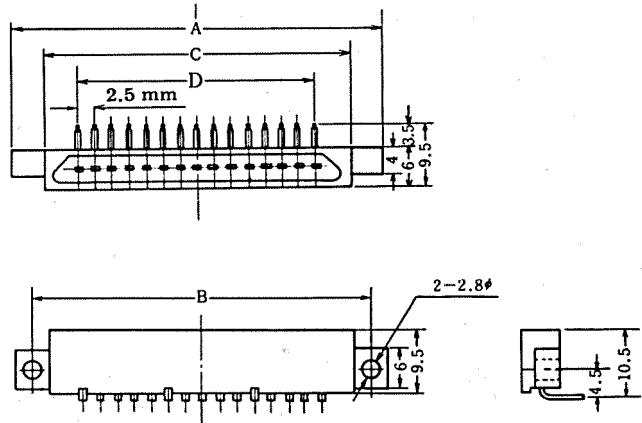
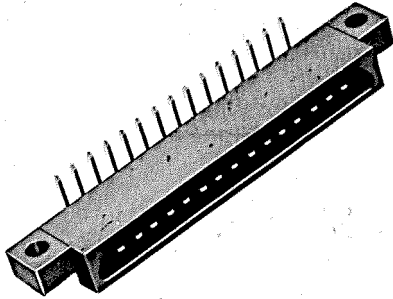
#### Without Mounting Ear



Part No.	No. of pin	mm (inch)		
		E	C	D
PCN6A-5P-2.5DS	5	22.00 (.866)	20.00 (.787)	10.00 (.394)
PCN6A-10P-2.5DS	10	34.50 (1.358)	32.50 (1.280)	22.50 (.886)
PCN6A-15P-2.5DS	15	47.00 (1.850)	45.00 (1.772)	35.00 (1.378)
PCN6A-20P-2.5DS	20	59.50 (2.343)	57.50 (2.264)	47.50 (1.870)
PCN6A-22P-2.5DS	22	64.50 (2.539)	62.50 (2.461)	52.50 (2.067)

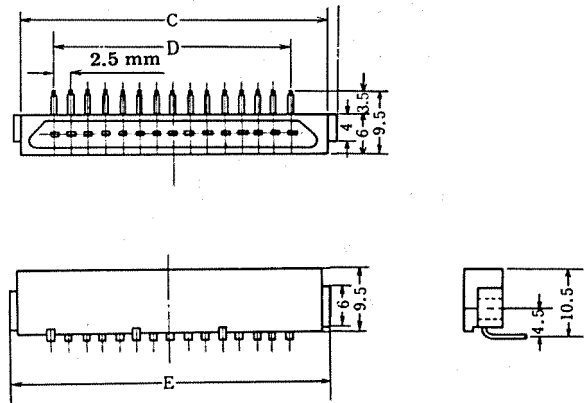
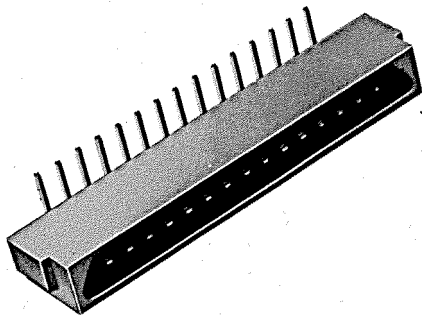
Plug with Right Angle Dip Soldering

With Mounting Ear



Part No.	No. of pin	mm (inch)			
		A	B	C	D
PCN6-5PA-2.5DS	5	30.00 (1.181)	25.00 (.984)	20.00 (.787)	10.00 (.394)
PCN6-10PA-2.5DS	10	42.50 (1.673)	37.50 (1.476)	32.50 (1.280)	22.50 (.886)
PCN6-15PA-2.5DS	15	55.00 (2.165)	50.00 (1.969)	45.00 (1.772)	35.00 (1.378)
PCN6-20PA-2.5DS	20	67.50 (2.657)	62.50 (2.461)	57.50 (2.264)	47.50 (1.870)
PCN6-22PA-2.5DS	22	72.50 (2.854)	67.50 (2.657)	62.50 (2.461)	52.50 (2.067)

Without Mounting Ear

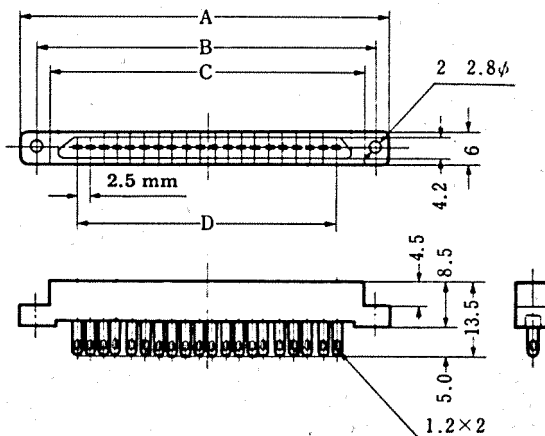
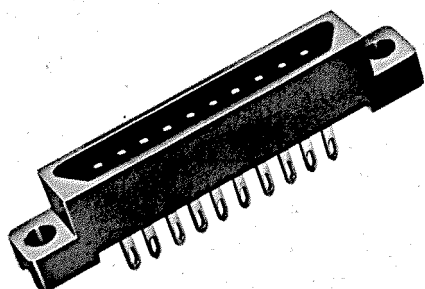


Part No.	No. of pin	mm (inch)		
		E	C	D
PCN6A-5PA-2.5DS	5	22.00 (.866)	20.00 (.787)	10.00 (.394)
PCN6A-10PA-2.5DS	10	34.50 (1.358)	32.50 (1.280)	22.50 (.886)
PCN6A-15PA-2.5DS	15	47.00 (1.850)	45.00 (1.772)	35.00 (1.378)
PCN6A-20PA-2.5DS	20	59.50 (2.343)	57.50 (2.264)	47.50 (1.870)
PCN6A-22PA-2.5DS	22	64.50 (2.539)	62.50 (2.461)	52.50 (2.067)



### Plug with Soldering Eyelet

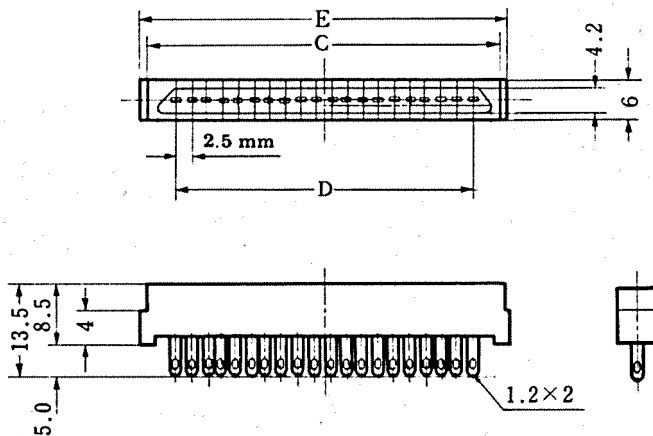
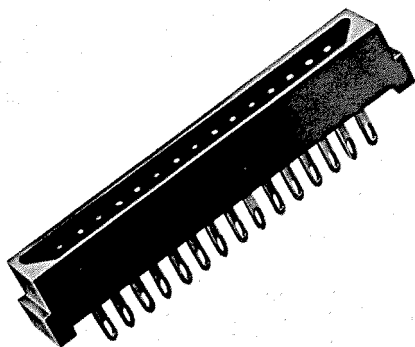
#### With Mounting Ear



Part No.	No. of pin	mm (inch)			
		A	B	C	D
PCN6B- 5P-2.5E	5	30.00 (1.181)	25.00 ( .984)	20.00 ( .787)	10.00 ( .394)
PCN6B-10P-2.5E	10	42.50 (1.673)	37.50 (1.476)	32.50 (1.280)	22.50 ( .886)
PCN6B-15P-2.5E	15	55.00 (2.165)	50.00 (1.969)	45.00 (1.772)	35.00 (1.378)
PCN6B-20P-2.5E	20	67.50 (2.657)	62.50 (2.461)	57.50 (2.264)	47.50 (1.870)
PCN6B-22P-2.5E	22	72.50 (2.854)	67.50 (2.657)	62.50 (2.461)	52.50 (2.067)

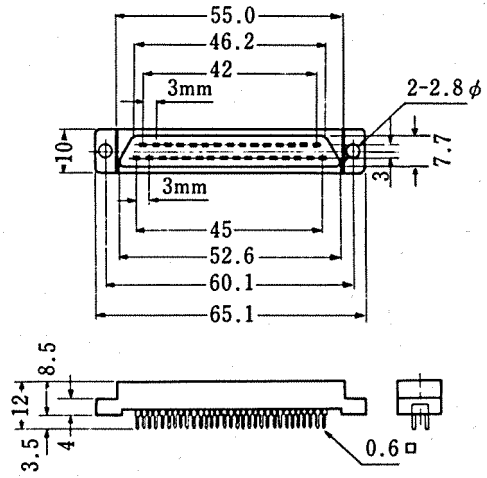
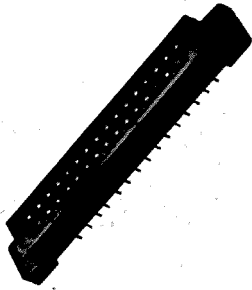
Note: PCN6B type is designed for using PCN6 LOCK (C).

#### Without Mounting Ear



Part No.	No. of pin	mm (inch)		
		E	C	D
PCN6A- 5P-2.5E	5	22.00 ( .866)	20.00 ( .787)	10.00 ( .394)
PCN6A-10P-2.5E	10	34.50 (1.358)	32.50 (1.280)	22.50 ( .886)
PCN6A-15P-2.5E	15	47.00 (1.850)	45.00 (1.772)	35.00 (1.378)
PCN6A-20P-2.5E	20	59.50 (2.343)	57.50 (2.264)	47.50 (1.870)

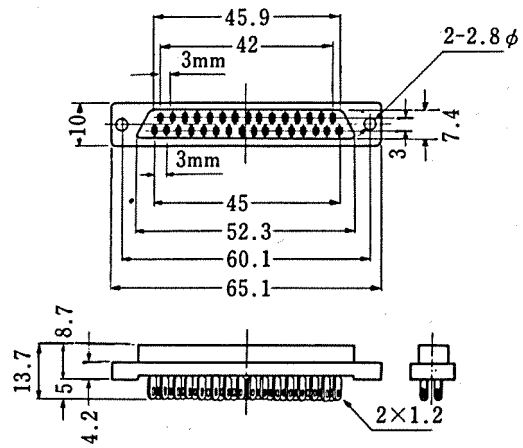
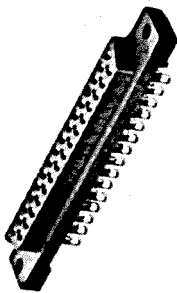
### 31 Pin Plug with Mounting Ear



HRS No.	Part No.
※CL581-0189-4	PCN6B-31PT-1.5DS

※Standard product

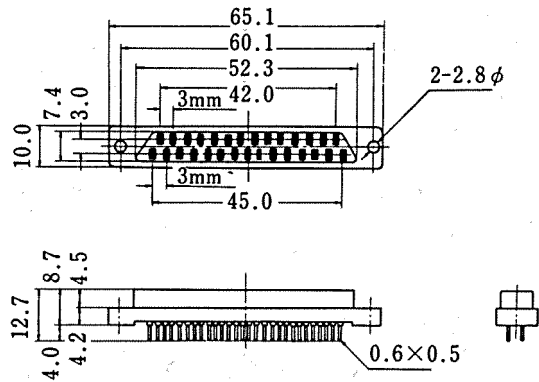
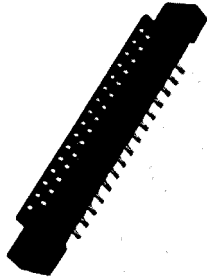
### 31 Pin Socket with Mounting Ear



HRS No.	Part No.
※CL581-0134-2	PCN6-31ST-1.5E

※Standard product

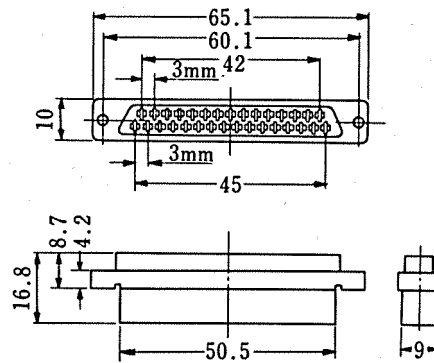
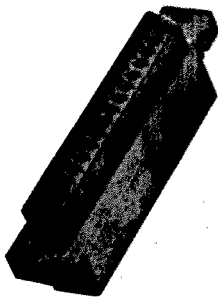
### 31 Pin Socket with Mounting Ear



HRS No.	Part No.
※CL581-0135-5	PCN6-31ST-1.5DS

※Standard product

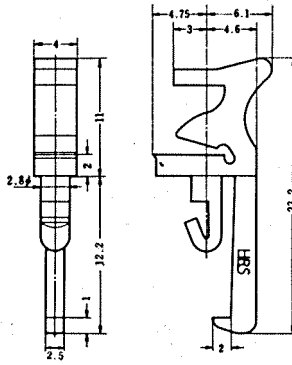
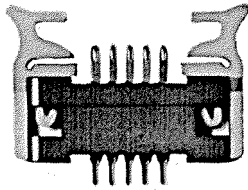
### 31 Pin Crimp Socket Housing



HRS No.	Part No.
※CL581-0142-0	PCN6-31ST-1.5C

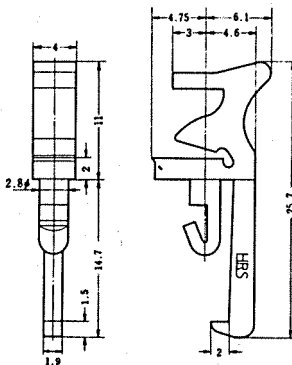
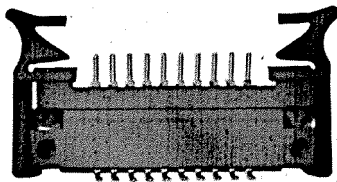
※Standard product

PCN6 LOCK (C)



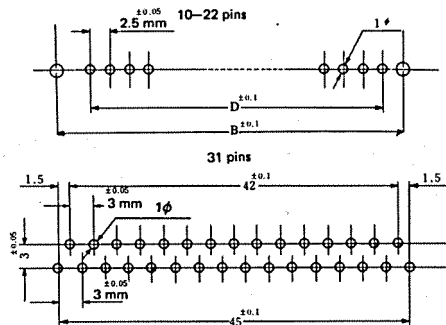
Use: PCN6B series Plug with straight dip soldering and with soldering eyelet in combination with any type of socket.

PCN6 LOCK (D)



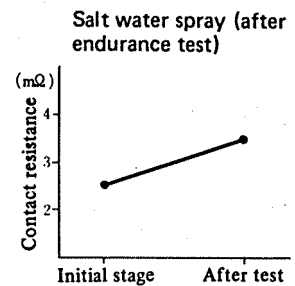
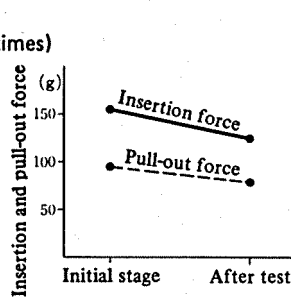
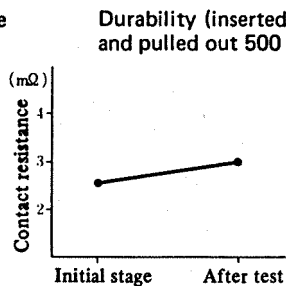
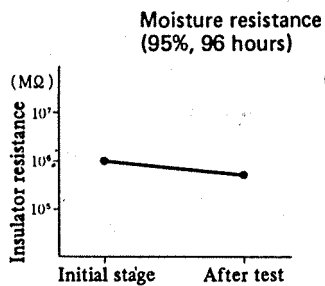
Use: Plug with right angle dip soldering in combination with any type of socket.

Recommended Mounting Hole Pattern



No. of pin Size	5	10	15	20	22
B	25 (.984)	37.5 (1.476)	50 (1.969)	62.5 (2.461)	67.5 (2.657)
D	10 (.394)	22.5 (.886)	35 (1.378)	47.5 (1.870)	52.5 (2.067)

Reference Data



## X-ON Electronics

Largest Supplier of Electrical and Electronic Components

*Click to view similar products for [Headers & Wire Housings](#) category:*

*Click to view products by [Hirose](#) manufacturer:*

Other Similar products are found below :

[95000-104TRLF](#) [10135584-644402LF](#) [DF62W-EP2022PCA](#) [95000-106TRLF](#) [DF62W-2022SCA](#) [DF62W-EP2022PC](#) [2203348](#) [DF62W-2022SC](#) [1084018](#) [1029039](#) [1084017](#) [802-10-012-10-002000](#) [1112640](#) [1112639](#) [000-34000](#) [0009482033](#) [0009507031](#) [57102-S06-03LF](#) [57202-S52-04LF](#) [PCN6-15S-2.5E](#) [0039019024](#) [58102-G61-06LF](#) [582553-1](#) [0009485154](#) [0009508121](#) [0022285053](#) [0050291907](#) [018731A](#) [LY20-4P-DT1-P1E-BR](#) [02.125.8002.8](#) [60101931](#) [60598-1 \(Cut Strip\)](#) [M1625-3R/100](#) [61062-3](#) [61082-181009](#) [636-1427](#) [638009-1](#) [641938-9](#) [641991-4](#) [644168-1](#) [647662-1](#) [65039-019ELF](#) [65817-002LF](#) [65817-015LF](#) [65863-015LF](#) [66207-023LF](#) [67016-026LF](#) [67046-001LF](#) [67095-007LF](#) [67230-005LF](#)